

Warn Industries, Inc.

12900 S.E. Capps Road

Clackamas, OR USA 97015-8903

1-503-722-1200 FAX: 1-503-722-3000

www.warn.com

Customer Service / Service Clients: 1-800-543-9276

© 2018 Warn Industries, Inc.
WARN®, the WARN logo are registered trademarks of Warn Industries, Inc.
WARN® et le logo WARN sont des marques déposées de Warn Industries, Inc.



VRX and AXON™ Winch Operator's Manual

**INSTALLATION AND OPERATOR'S GUIDE
GUIDE D'INSTALLATION ET OPERATEUR**

VRX and AXON™ Winch Operator's Manual



This manual provides important safety information and instructions on how to operate your winch. It is important to read **ALL** instructions and safety information **BEFORE** installing and operating your winch.

As you read these instructions, you will see **WARNINGS, CAUTIONS, NOTICES** and **NOTES**. Failure to observe these instructions could lead to serious injury or death. **WARNINGS** are safety messages that indicate a potentially hazardous situation which, if not avoided, could result in serious injury or death. **CAUTIONS** are safety messages that indicate a potentially hazardous situation which, if not avoided, could result in minor or moderate injury. **CAUTIONS** and **WARNINGS** identify the hazard, indicate how to avoid the hazard, and advise of the probable consequence of not avoiding the hazard. **NOTICES** are messages to avoid property damage. **NOTES** are additional information to help you complete a procedure. **PLEASE WORK SAFELY!**

SAVE THIS MANUAL and other product literature for future reference and review frequently for continuing safe operation.

Instruct all users of this product to review this manual before operating this product.

Additional Product Literature Available Online:

- **Basic Guide to Winching Techniques**
 - Provides a basic understanding of the winch and teaches basics of proper winching techniques. It is a valuable resource to help winch safely and efficiently.
- **Product Specification and Performance Data**
 - Provides product specifications, performance data and replacement parts information.
- **Other product literature specific to some products**

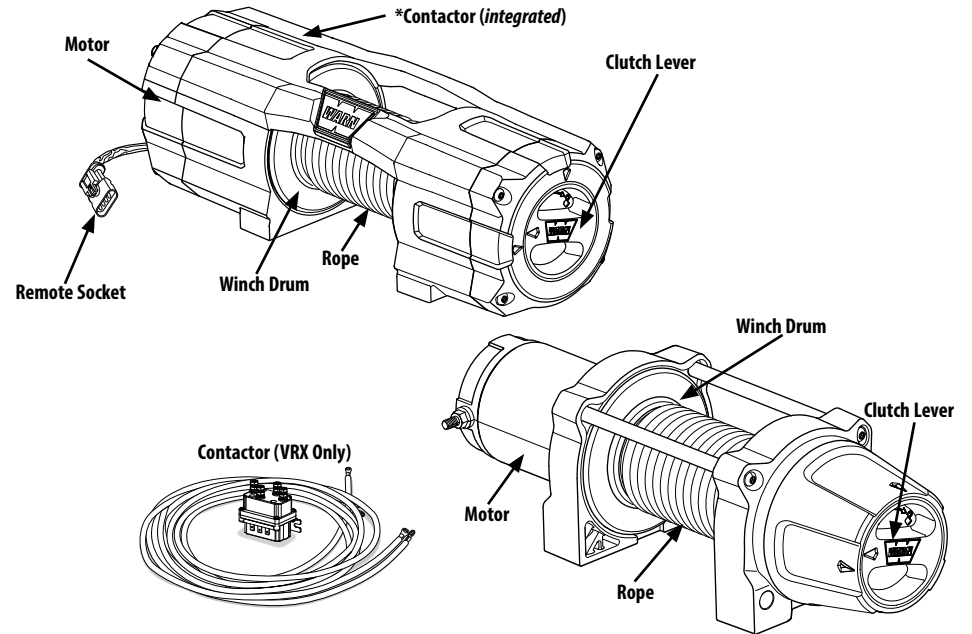
Go to www.warn.com for additional or replacement product literature available to view/download.

TABLE OF CONTENTS:

Know Your Winch/ Know Your Components.....	2-3
Mounting	4-5
Electrical.....	6-8
First Time Operation Instructions.....	9-12
Synthetic Rope Care	13
Final Analysis and Maintenance	14
Warranty	15-17
USA/Canada.....	15
International	16

KNOW YOUR WINCH

Before you begin, you should familiarize yourself with your WARN® winch and each of its components:



Motor: The winch motor is powered by the vehicle's battery. The motor provides power to the gear mechanism, which turns the winch drum and winds the winch rope.

Winch Drum: The winch drum is the cylinder onto which the winch rope feeds. The drum is driven by the motor and drive train. Its direction can be changed using the remote control.

Winch Rope: The winch rope's diameter and length are determined by the winch's load capacity and design. Wrapped around the winch drum and fed through the fairlead, the winch rope is looped at the end to accept the hook's clevis pin. Synthetic winch rope is constructed of a unique ultra high molecular weight polyethylene material and offers tremendous tensile strength. It is coated with a high temperature urethane and equipped with a temperature resistant sleeve on the first layer for added protection. The synthetic rope's high flexibility and low weight make it much easier to handle out in the field.

Clutch Lever: The clutch allows the operator to manually disengage the spooling drum from the gear train, enabling the drum to rotate freely (known as "freespooling"). Engaging the clutch "locks" the winch drum back onto the gear train.

Contactor: Using electrical power from the vehicle's battery, the contactor switches power to the motor, enabling the operator to change the direction of the winch drum rotation. * **The AXON winch contactor is integrated with the winch motor.**

Remote Socket (AXON winch): The remote socket is where the operator plugs in the wired remote control in order to control the winch.

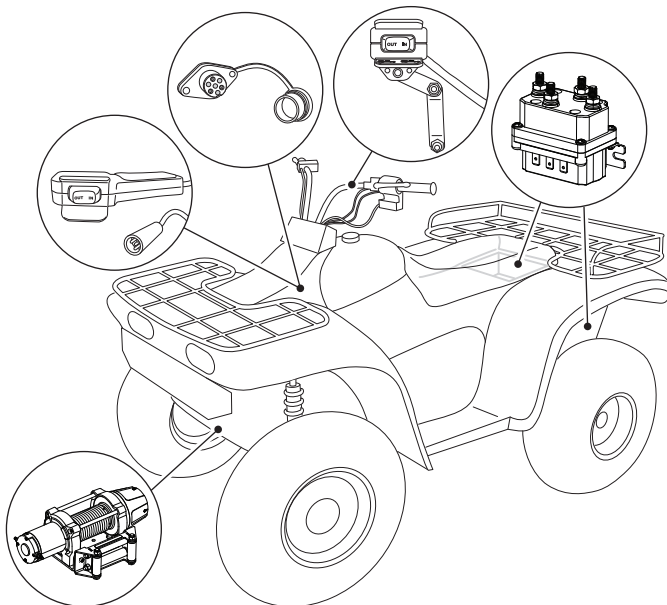
KNOW YOUR COMPONENTS



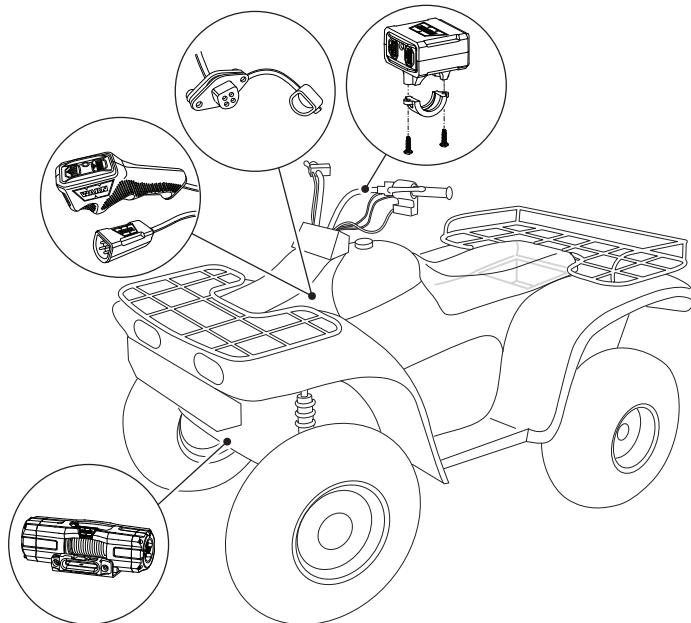
BEFORE YOU BEGIN, take time to fully read all instructions and safety information before installing and operating your winch.

STEP 1: IDENTIFY MOUNTING LOCATIONS

VRX



AXON



MOUNTING

STEP 2: MOUNT YOUR WINCH

WARNING Always choose a mounting location that is sufficiently strong to withstand the maximum pulling capacity of your winch.

WARNING Always position fairlead with warning readily visible on top.

WARNING Always use class 8.8 metric (grade 5) or better hardware.

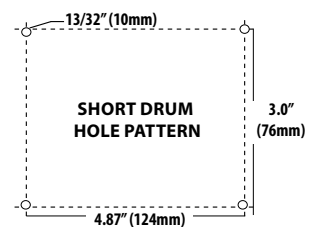
WARNING Never weld mounting bolts.

WARNING Always confirm required bolt length to ensure proper thread engagement.

WARNING Always complete the winch installation and hook attachment before installing the wiring.

WINCH MOUNTING

VRX 25 / 35 - AXON 35

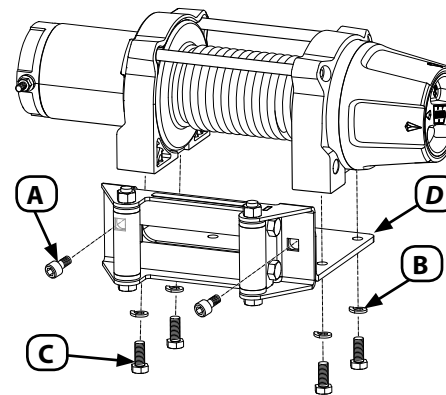


VRX 45 - AXON 45 / 55

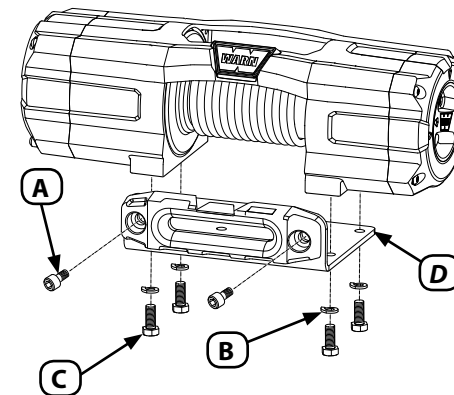


Item	Qty	Description
A	2	M10 x 15
B	4	M8
C	4	M8 x 1.25 x 25
D	1	SOLD SEPARATELY

VRX



AXON



T 24.5 Nm (18 ft. lbs.)

STEP 3: MOUNT YOUR REMOTE EQUIPMENT

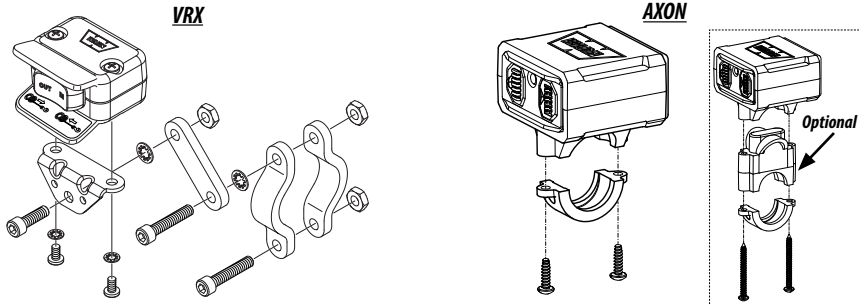
1. Disconnect the vehicle battery cables, negative terminal first. All work with electrical wires and cables must be completed with the battery completely disconnected from the vehicle wiring.

⚠ WARNING TO AVOID INJURY AND PROPERTY DAMAGE: Use caution if moving or repositioning the vehicle controls so as to not compromise the safe operation of the vehicle.

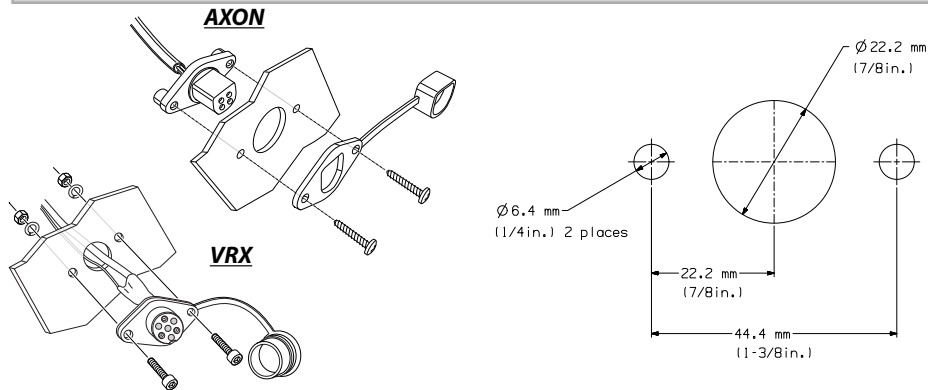
Select a mounting position that will provide clearance for all vehicle controls.

Before securing the switch cable with tie wraps, make sure that the handlebars have full range of motion.

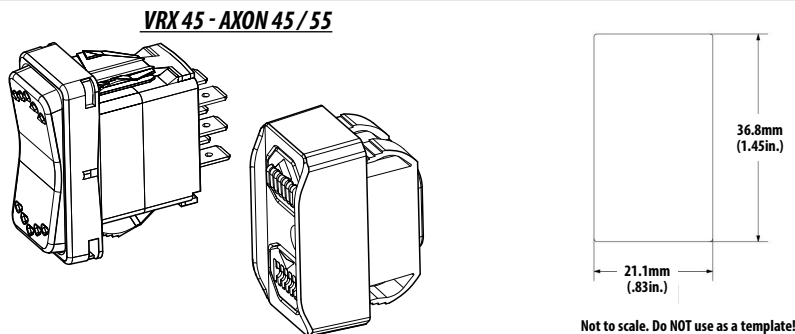
HANDLEBAR SWITCH MOUNTING



REMOTE SOCKET MOUNTING



DASH SWITCH MOUNTING



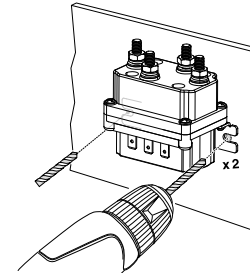
Not to scale. Do NOT use as a template!

STEP 4: MOUNT YOUR CONTACTOR (VRX Winch Only)

⚠ WARNING Never mount contactor with electrical terminals touching metal objects.

⚠ WARNING Always verify area is clear of fuel lines, fuel tank, brake lines, electrical wires, etc., when drilling.

CONTACTOR MOUNTING (VRX Winch Only)



STEP 5: WIRING YOUR EQUIPMENT

⚠ WARNING Always remove jewelry and wear eye protection when making battery connections.

⚠ WARNING Never route electrical cables through or near moving parts.

⚠ WARNING Always insulate and protect all exposed wiring and electrical terminals.

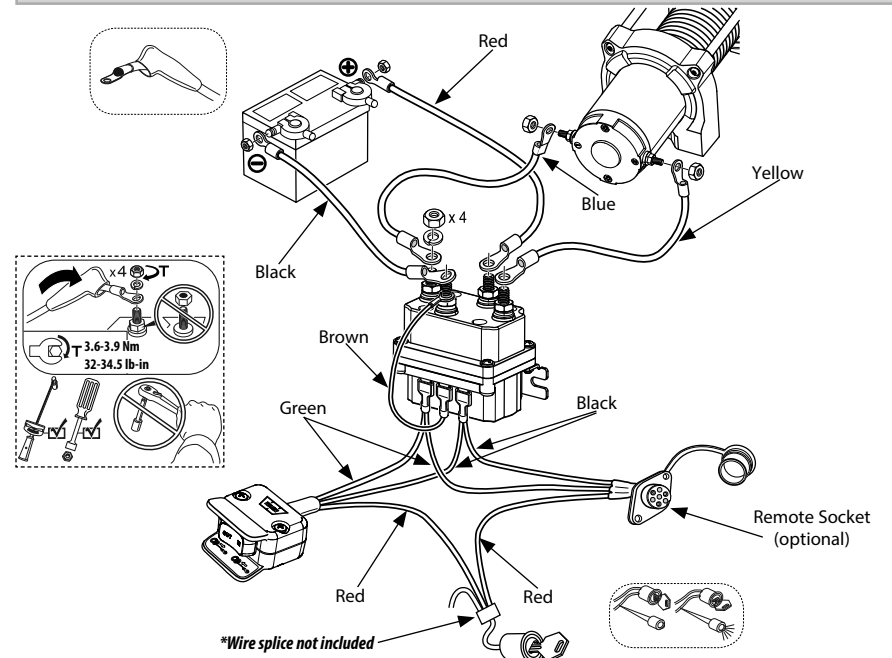
⚠ WARNING Always place the supplied terminal boots on wires and terminals.

⚠ WARNING Never route electrical cables across sharp edges.

⚠ WARNING Never route electrical cables near parts that get hot.

⚠ WARNING Never route electrical cables over battery terminals.

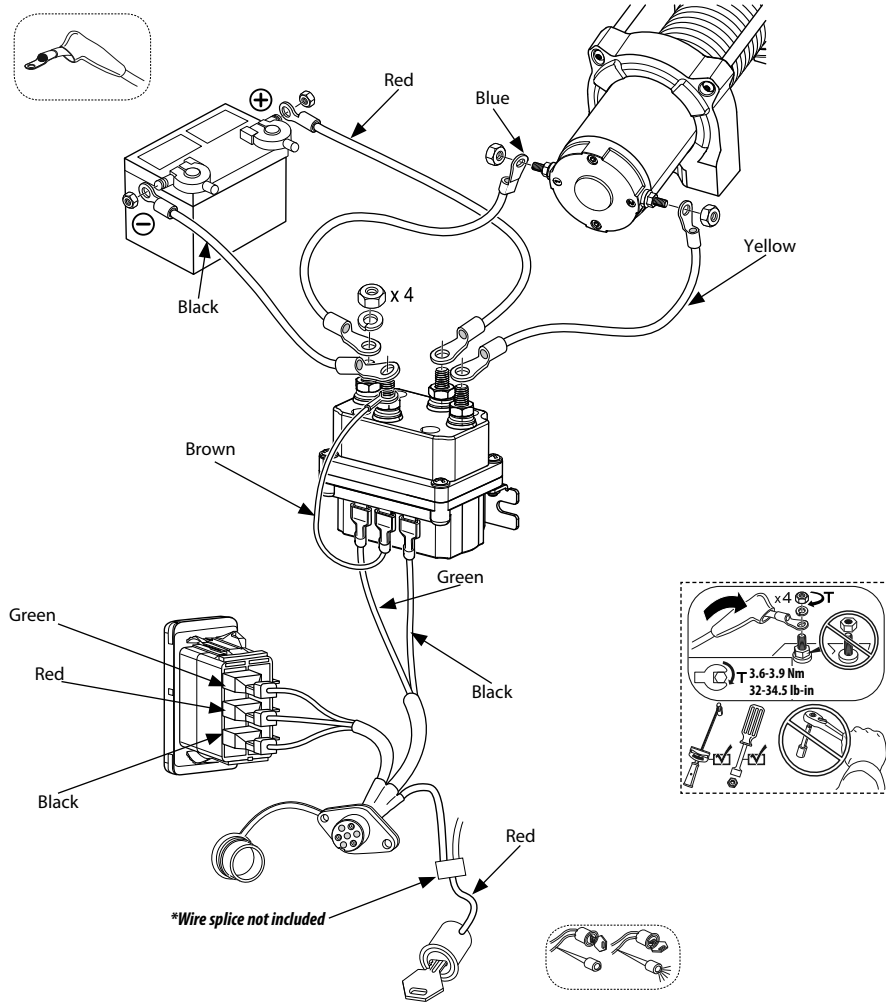
VRX 25 / 35



*Wire splice not included

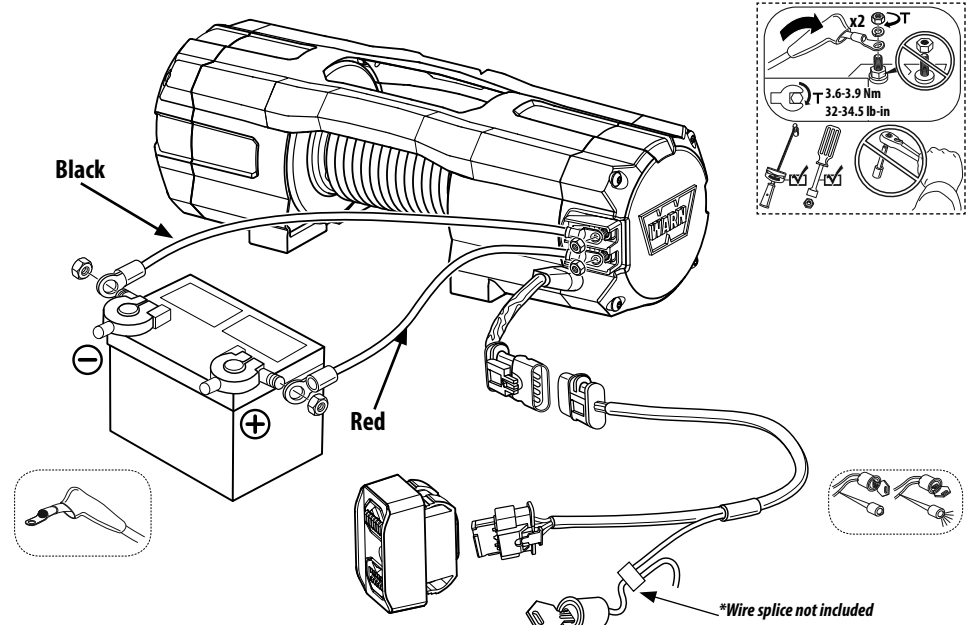
ELECTRICAL CONNECTIONS

VRX 45

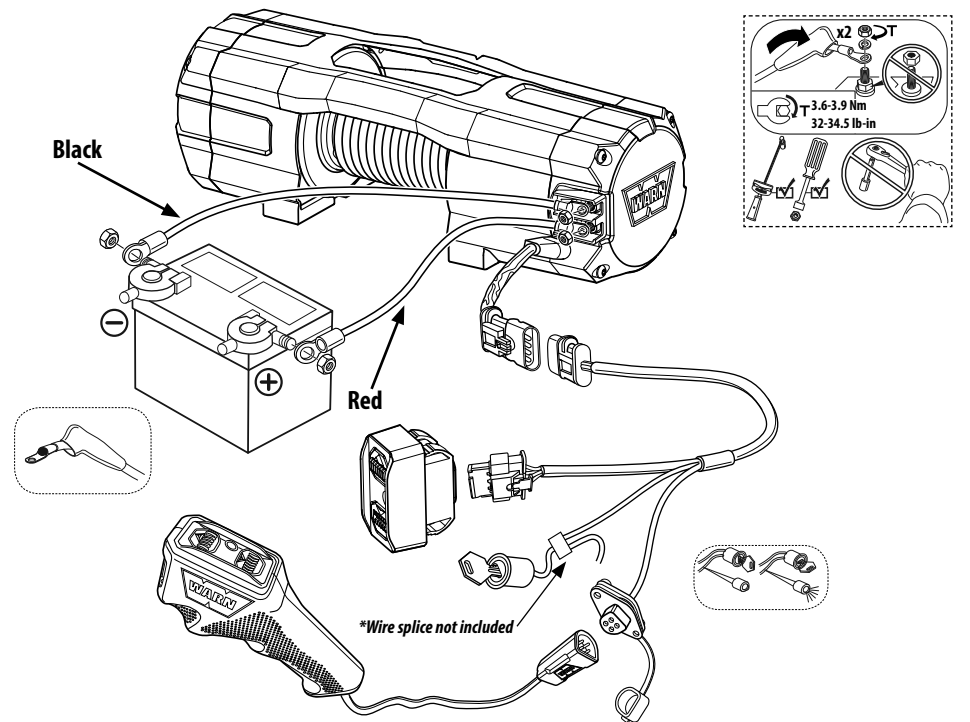


ELECTRICAL CONNECTIONS

AXON 35



AXON 45/55



Step 3: System Check

⚠️ WARNING Always connect red (+) power cable ONLY to the positive (+) terminal of the battery.

⚠️ WARNING Always connect black ground (-) power cable ONLY to the negative (-) terminal of the battery.

Perform system check:

1. Check fasteners and make sure they are tight and to proper torque.
2. Verify all electrical wiring to all components is correct and be certain that all connections are tight.
3. Verify there is no exposed/bare wiring, terminals or cable insulation damage.
4. Read The Basic Guide to Winching Techniques completely before operating your winch (www.warn.com).

Once you have performed a system check, you are ready to perform "First Time Operating Instructions".

Step 4: First Time Operating Instructions

In this section, we'll show you the first time operating instructions for effective basic winching. For complete winch operation and techniques read the Basic Guide to Winching Techniques found online at www.warn.com.

⚠️ WARNING Never use winch as a hoist or to suspend a load.



⚠️ WARNING Never use winch to lift or move persons.



Remote Control:

⚠️ WARNING Always keep wired remote control lead and power cord clear of the drum, rope, and rigging. Inspect for cracks, pinches, frayed wires or loose connections. Damaged components must be replaced before operation.

⚠️ WARNING Never leave remote control where it can be unintentionally activated.

⚠️ WARNING Never leave the winch remote control plugged in when installing, freespooling, rigging, servicing or when the winch is not being used.

The remote control provides control of the power-out (forward) or power-in (reverse) rotation of the spooling drum.

Do not leave the remote plugged into the winch when not in use. Leaving the remote plugged in, may result in accidental activation and/or battery drain.

Clutch Operation:

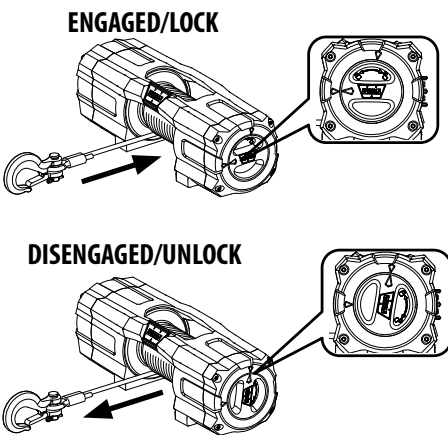
⚠️ WARNING Never engage or disengage clutch if winch is under load, winch rope is in tension or drum is moving.

NOTICE Always ensure the clutch is fully engaged or disengaged when operating winch.

The clutch lever is located on the winch housing opposite the motor and controls the clutch position. To prevent damage, always fully engage or fully disengage the clutch lever.

When the clutch is engaged, the gear train is coupled to the winch drum and power can be transferred from the winch motor.

When the clutch is disengaged the drum is in the freespool position and the gear train and winch rope drum are uncoupled allowing the drum to rotate freely.



Spooling Out

⚠️ WARNING Never operate winch with less than 5 wraps of winch rope around the drum. Rope could come loose from the drum.

⚠️ WARNING Always keep hands clear of winch rope, hook loop, hook and fairlead opening during installation, operation, and when spooling in or out.

⚠️ WARNING Always wear heavy gloves when handling winch rope.



Freespooling is generally the quickest and easiest way to spool out winch rope. Before freespooling winch rope out from the winch power-out enough rope to remove any tension on the winch rope. Disengage the clutch. Then manually spool out enough winch rope for the winching operation. See The Basic Guide to Winching Techniques for more information, found online at: www.warn.com.

NOTICE Do NOT power out more than 30ft without allowing the winch to cool for 20 minutes before powering rope back in. Instead, place the clutch in freespool and pull the rope out by hand.

⚠️ WARNING Always use supplied hook strap whenever spooling winch rope in or out.



Spooling In Under Load

⚠️ WARNING Never exceed winch or winch rope rated capacity.

⚠️ WARNING Always know the Working Load Limit (WLL) of your rope.

⚠️ WARNING Never exceed the WLL of rope or shock load this rope.

Power-in the winch rope evenly and tightly on the drum. This prevents the outer winch wraps from sinking into the inner wraps, binding, and damaging the winch rope.

Avoid shock loads when spooling by pulsing the control switch to take up winch rope slack. Shock loads can momentarily far exceed the winch and rope ratings.

Spooling In Under No Load

⚠️ WARNING Never touch winch rope or hook while someone else is at the control switch, when winch rope is under load or during winching operation.

Spooling with an Assistant: Have the assistant hold the hook strap putting as much constant tension on the winch rope as possible. While keeping tension, the assistant should walk toward the winch while you operate the control switch spooling in the winch rope. Release the switch when the hook is a minimum of 6 ft. (2m) from the fairlead opening.

Spool in the remainder for storage as directed below.

Spooling Alone: Arrange the winch rope to be spooled so it will not kink or tangle when spooled. Be sure any winch rope on the drum is tightly and evenly layered. Spool enough winch rope to complete the next full layer on the drum. Tighten and straighten the layer. Repeat process until the hook is a minimum of 6 ft. (2 m) from the fairlead opening.

Spooling Remainder for Storage

When the hook is within 6 ft. (2 m) of the fairlead, disconnect the hook from the anchor or load. Hold onto the supplied hook strap and hold tension on the winch rope. Slowly power-in the winch by "pulsing" the power-in switch on the remote control until the hook is within 3 ft. (1 m) of the fairlead.

Stop winching in and attach the hook to a suitable anchor point on the vehicle.

NOTICE Do not power the hook into the fairlead. This could cause damage to the fairlead.

Once the hook is suitably attached to the vehicle, power-in the remaining slack in the winch rope by "pulsing" the power-in switch on the remote control until there is minimal slack in the winch rope.

Overloading/Overheating

⚠️ WARNING Always be aware of possible hot surfaces at winch motor, drum or rope during or after winch use.

This winch is rated for intermittent duty. When the motor approaches stall speed very rapid heat buildup occurs which may cause motor damage.

Double-line rigging (see The Basic Guide to Winching Techniques) will reduce the amperage draw and reduce heat buildup in the motor. This allows longer continual use.

Load Limiter (AXON Winches)

⚠️ WARNING Never engage or disengage clutch if winch is under load, winch rope is in tension or drum is moving.

⚠️ WARNING Never touch winch rope or hook while under tension or under load.

Exceeding the AXON winch capacity will cause the load limiter to trip, which

FIRST TIME OPERATING INSTRUCTIONS

interrupts the power to the motor. This prevents overheating and potential motor damage. At 50% of pulling capacity, the remote indicator turns yellow. At 75% of pulling capacity, the remote indicator turns orange. At 90% of pulling capacity the remote indicator turns red. When the pulling capacity is exceeded the load limiter will cause the remote indicator to flash red and the AXON motor to stop. When this occurs, release the load by spooling out. Once the load limiter has tripped, the winch cannot be spooled in until the load limiter is reset by spooling out. Do not attempt to apply the same load if the load limiter has tripped, as this can damage the winch. If the load limiter fails to reset contact an authorized service center.

If the load limiter continues to trip, perform the following actions:

1. Reduce the weight of the load.
2. Increase the distance of the anchor point. The maximum pulling capacity occurs from the first layer of winch rope on the drum. By increasing the distance between the winch and the anchor point, it decreases the layers of winch rope on the drum, therefore increasing the pulling power.

STRETCHING WINCH ROPE

WARNING Always prestretch rope and respool under load before use.

WARNING Always inspect winch rope, hook, and slings before operating winch. Frayed, kinked or damaged winch rope must be replaced immediately. Damaged components must be replaced before operation. Protect parts from damage.

Stretching (tensioning) the winch rope is critical to ensure a long product life. Tensioning the winch rope will prevent outer layers of winch rope from pinching and deforming the inner layers.

During its first use, a new winch rope must be spooled onto its drum under a load of at least 500 lbs. (226 kgs).

Use the following instructions to properly stretch the winch rope onto the winch drum.


WARNING Always wear heavy gloves when handling winch rope.

1. Choose a **FLAT AND LEVEL** location that is large enough to run out almost the entire length of winch rope.

2. Disengage clutch.

WARNING Always keep hands clear of winch rope, hook loop, hook and fairlead opening during installation, operation, and when spooling in or out.

3. Grasp hook strap and spool out the winch rope to the last 5 wraps on the drum.
4. Be sure to check that the winch rope is winding off of the bottom of the drum or the automatic load holding brake will not function properly. **NOTE: If the winch rope is winding off the top of the drum, you have powered the winch "out" instead of "in". Be sure you are powering in.**

WARNING Always wind the winch rope on bottom (mountside) of drum. 

NOTICE For proper function of the winch brake, the winch rope must be spooled onto the drum in the specified direction. *See drum rotation label located on winch.

5. Once the winch rope is spooled out, engage clutch.

WARNING Always ensure hook latch is closed. 

WARNING Always apply load only to the center of hook.

WARNING Never apply load to hook tip or use hook that is bent or twisted.

6. Attach the hook end of the rope to a suitable anchor point.

WARNING Always remove any obstacle that may interfere with safe operation of the winch.

WARNING Never wrap winch rope back onto itself. Use a chain or strap on the anchor. 

WARNING Always be certain the anchor you select will withstand the load and the strap or chain will not slip.

7. Return to your vehicle.
8. Back the vehicle away from the anchor point until there is very little slack in the winch rope.

FIRST TIME OPERATING INSTRUCTIONS

9. Set the parking brake, place the vehicle in gear or park and turn the vehicle off.

WARNING Always stand clear of winch rope and load and keep others away while winching.

10. Exit vehicle. **WARNING! Never exit the vehicle with a load on the winch rope.** While standing approximately 8 ft. (2.44 m) away from the winch, power-in the winch until all of the slack is wound onto the winch drum.

WARNING Never touch winch rope or hook while someone else is at the control switch, when winch rope is under load or during winching operation.

WARNING Never let winch rope slip through your hands.

11. With gloves on, hold tension on the winch rope with one hand, carefully push the winch rope to the side of the drum the winch rope is attached to so there are no gaps between each coil on the drum.
12. The following steps should be done using two people for proper safety. If you attempt to tension your winch rope alone be sure to always set the parking brake, place the transmission in gear or park and turn the vehicle off every time you exit the vehicle to inspect the winch rope. **NOTICE** Use care to evenly wrap each layer to prevent damage to the rope.

WARNING Never use remote when vehicle is not in line of sight of operator.

13. The driver of the vehicle should operate the winch.
14. Instruct your assistant to stand to the side of the vehicle and away from the winch rope. **NOTE: Your assistant should signal you if the winch rope is winding correctly or incorrectly by watching it move across the fairlead as the winch rope is powered in.**
15. Start the vehicle and place the transmission in neutral. Then release the parking brake while applying moderate brake pedal pressure.
16. Power-in the winch rope to start winching in.
17. After winching in for approximately 6 ft. (2m), stop winching.
18. Slowly let up off of the brake pedal and then apply the parking brake. This will

ensure that there is no load on the winch rope.

19. Place the transmission in park or in gear and turn the vehicle off.
20. Exit the vehicle and inspect the winch to make sure that the winch rope is being evenly wound onto the winch drum and not sinking into the lower layer. If the winch rope is sinking, power-out the winch rope by pushing the power-out button on the remote control and repeat this step from the beginning with more brake pedal pressure.
21. When you are convinced the winch rope is winding onto the winch drum properly, repeat steps until the vehicle is within 6 ft. (2 m) of the winch anchor. Once within 6 ft. (2 m), slowly let up off of the brake pedal and then apply the parking brake. This will ensure that there is no load on the winch rope. Then place the transmission in park or in gear and turn the vehicle off.
22. Exit the vehicle. Disconnect the hook from the anchor.
23. While holding onto the supplied hook strap, hold tension on the winch rope and slowly power-in the winch by "pulsing" the power-in button on your remote control until the hook is within 3 ft. (1 m) of the fairlead.
24. Stop winching in and attach the hook to a suitable storage point on the vehicle.
25. Once the hook is suitably attached to the vehicle, power-in the remaining slack in the winch rope by "pulsing" the power-in button on your remote control until there is minimal slack in the winch rope. **NOTICE** Do not power the hook into the fairlead. This could cause damage to the fairlead.

RIGGING

For complete rigging fundamentals, Read the Basic Guide to Winching Techniques, found online at: www.warn.com.

SYNTHETIC ROPE CARE

Synthetic Rope Care:

Cleaning:

- Use low pressure water to clean synthetic rope. Do not use any chemicals.
- Do not direct high pressure water (pressure washers, car washes, etc.) directly between the drum support and drum flange or clutch lever.
- Use low pressure water and a soapy rag or sponge to clean the winch.
- Avoid using chemicals that may damage the finish.
- Thoroughly clean salt residue from the winch as soon as possible to minimize corrosion.

Rope Inspection:

⚠ WARNING Always inspect winch rope, hook, and slings before operating winch. Frayed, kinked or damaged winch rope must be replaced immediately. Damaged components must be replaced before operation. Protect parts from damage.

When rope is first used, the outer filaments of the rope will quickly fuzz up. This is the result of these filaments breaking and this roughened surface will actually protect the fibers underneath. The condition should stabilize, not progress. If the surface roughness increases, excessive abrasion is taking place and strength is being lost.

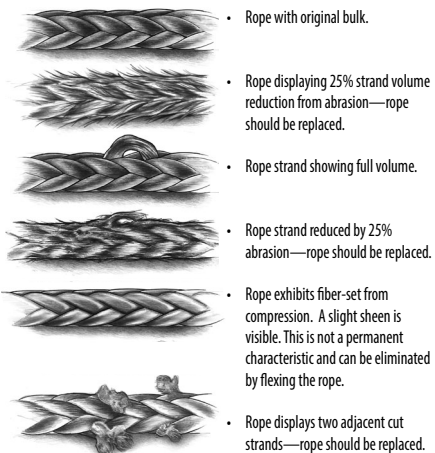
Look closely at both the inner and outer fibers. When either is worn the rope is obviously weakened. Open the strands and look for powdered fiber—this is a sign of internal wear.

Localized discolorations could potentially represent chemical attack by anything from gear oil to battery acid. When doubt exists, replace the rope.

Rope should be replaced when:

- Rope bulk anywhere along the length is reduced by 10% or more by abrasion.
- Two or more adjacent strands are cut.
- Flat areas or lumps are found that are not eliminated by flexing rope.

- Excessive fused or melted fibers are found. Any such areas will be stiff and the rope will have a glazed appearance.



FINAL ANALYSIS AND MAINTENANCE

Check	Before first operation	After each use	Every 90 days
Take time to fully read the Instructions and/or Operations Guide, and/or Basic Guide to Winching Techniques, in order to understand your winch and its operations	X		
Check fasteners and make sure they are tight and to proper torque. Replace damaged fasteners.	X		X
Verify wiring to all components is correct and be certain that all connections are tight.	X		X
Verify there is no exposed/bare wiring, terminals or cable insulation damage (chafing/cutting). Cover any exposures with terminal boots. Repair or replace damaged electrical cable.	X		X
Inspect winch rope, hook, heat sleeve and slings. Frayed, kinked or damaged winch rope must be replaced immediately. Damaged components must be replaced before operation.	X	X	X
Keep winch, rope and switch control free from contaminants. Use a clean rag or towel to remove any dirt and debris.		X	
If winch is submerged in water: Power winch rope out and back in about 30 feet. Follow the "Stretching Winch Rope" procedure, in order to dry out winch.	x	x	

Take time to fully understand your winch and the winching operation by reviewing the Basic Guide to Winching Techniques found online at:

www.warn.com

For further information or any questions contact:

WARN INDUSTRIES, INC.
12900 S.E. Capps Road, Clackamas
OR USA 97015-8903, 1-503-722-1200,
Customer Service: 1-800-543-9276
Dealer Locator Service: 1-800-910-1122
Or visit www.warn.com.

Don't forget to register your new product at:

www.WARN.com/register



WARN® VRX AND AXON PRODUCTS

LIMITED LIFETIME WARRANTY FOR MECHANICAL COMPONENTS

LIMITED THREE (3) YEAR WARRANTY FOR ELECTRICAL COMPONENTS

Warn Industries, Inc. (Warn) warrants to the original purchaser that (a) the mechanical components of the WARN VRX and Axon Winch will be free of defects in material and workmanship for the lifetime of the winch, and (b) the electrical components will be free of defects in material and workmanship for a period of three (3) year from the original date of purchase. This Warranty applies only to the original purchaser of the winch.

Products covered by this warranty:

- VRX and Axon Winch Product

To obtain warranty service:

- Call Warn Customer Service at 1-800-543-9276 for warranty claim information.
- Provide proof of purchase with a copy of a dated sales receipt and original bill of sale clearly showing the WARN Product purchased.
- Make the claim within the Warranty period.
- Attach your name, address, telephone number, a description of the problem, and a copy of your receipt and original bill of sale to the product.
- Return the Product, transportation charges prepaid, to the Warn Industries Service Department at 12900 SE Capps Rd., Clackamas, Oregon. **OR** Find the nearest Warn Authorized Service Center by visiting: www.warn.com/corporate/authservicecenters.shtml.

Warn will, at its option, repair, replace or refund the purchase price of a defective Product or component.

Items not covered by this Warranty include: the removal or re-installation of the Product, wire rope, synthetic rope and Product finish.

This warranty does not apply if the Product has been damaged by accident, abuse, misuse, collision, overloading, modification, misapplication, improper installation, or improper service. This warranty is void if any Warn serial number or date code has been removed or defaced. Commercial or industrial use or application, or any hoisting application of the Product, voids the warranty.

THE WARRANTY SET FORTH ABOVE IS THE ONLY WARRANTY. THERE ARE NO OTHER WARRANTIES, EXPRESS OR IMPLIED, INCLUDING BUT NOT LIMITED TO IMPLIED WARRANTIES OF MERCHANTABILITY OR FITNESS FOR A PARTICULAR PURPOSE.

ANY IMPLIED WARRANTY WHICH BY LAW MAY NOT BE EXCLUDED IS LIMITED IN DURATION TO ONE (1) YEAR FROM THE DATE OF ORIGINAL RETAIL PURCHASE OF THE PRODUCT.

WARN SHALL NOT BE LIABLE FOR SPECIAL, INDIRECT, INCIDENTAL OR CONSEQUENTIAL DAMAGES (INCLUDING, BUT NOT LIMITED TO, LOST PROFITS, DOWN TIME OR LOSS OF USE) UNDER ANY LEGAL THEORY, EVEN IF WARN WAS ADVISED OF THE POSSIBILITY OF SUCH DAMAGES.

Some states do not allow the exclusion of implied warranties or the exclusion or limitation of liability for incidental or consequential damages, or limitations on how long an implied warranty lasts, so the above limitation or exclusion may not apply to you. This warranty gives you specific legal rights. You may also have other rights that vary from state to state.

Warn reserves the right to change Product design without notice. In situations in which Warn has changed a Product design, Warn shall have no obligation to upgrade or otherwise modify previously manufactured Products.

No WARN dealer, agent or employee is authorized to make any modification, extension or addition to this warranty.

This warranty is valid only in the U.S.A. and Canada. For warranty outside the U.S.A. and Canada contact your local Point of Sale Retailer.

To find the nearest retailer to your location please visit our website at <http://www.warn.com/corporate/dealerlocator.jsp> or contact us at 1-503-722-1200 or 1-503-722-3000 (Fax).



WARN® International Product Warranty

Warn Industries, Inc. (WARN) warrants its products sold outside the United States and Canada to be free of defects in material and workmanship through WARN Local Authorized Distributors and Dealers.

All warranty inquiries outside the United States and Canada for WARN® Products should be directed to your local Point of Sales Retailer.

To find the nearest retailer to your location please visit our website at <http://www.warn.com/corporate/dealerlocator.jsp> or contact us at 1-503-722-1200 or 1-503-722-3000 (Fax).

Specific details of the warranty may vary based on local laws and regulations.

This Warranty applies only to the original purchaser of the Products. To obtain any warranty service, you must provide proof of purchase, such as a copy of your purchase receipt. This warranty does not cover the removal or reinstallation of the Product. WARN will, at its option, repair, replace or refund the purchase price of a defective Product or component, provided you return the defective Product or component during the warranty period, transportation charges prepaid, to an Authorized Service Center. Attach your name, address, telephone number, a description of the problem, and a copy of your receipt and original bill of sale bearing the WARN part number of the defective Product and date of purchase.

This warranty does not apply if the Product has been damaged by accident, abuse, misuse, collision, overloading, modification, misapplication, improper installation, or improper service. This warranty is void if any WARN serial number or Manufacturer date code has been removed or defaced.

THERE ARE NO OTHER WARRANTIES, EXPRESS OR IMPLIED, INCLUDING BUT NOT LIMITED TO IMPLIED WARRANTIES OF MERCHANTABILITY OR FITNESS FOR A PARTICULAR PURPOSE.

WARN SHALL NOT BE LIABLE FOR SPECIAL, INDIRECT, INCIDENTAL OR CONSEQUENTIAL DAMAGES (INCLUDING, BUT NOT LIMITED TO, LOST PROFITS, DOWN TIME OR LOSS OF USE) UNDER ANY LEGAL THEORY, EVEN IF WARN WAS ADVISED OF THE POSSIBILITY OF SUCH DAMAGES.

WARN reserves the right to change Product design without notice. In situations in which WARN has changed a Product design, WARN shall have no obligation to upgrade or otherwise modify previously manufactured Products. No WARN dealer, agent or employee is authorized to make any modification, extension or addition to this warranty.

Warranty inquires and Products returned for warranty service should be sent to:

WARN INDUSTRIES, INC. 12900 S.E. Capps Road,
Clackamas, OR USA 97015-8903, 1-503-722-1200, FAX: 1-503-722-3000
Customer Service: 1-800-543-9276
Dealer Locator Service: 1-800-910-1122
International Fax: 1-503-722-3000
www.warn.com

VRX et AXON™

Manuel de l'utilisateur du treuil



Ce manuel fournit des informations et des consignes de sécurité importantes concernant l'utilisation du treuil. Il est important de lire attentivement **TOUTES** les instructions et informations de sécurité afférentes à votre produit **AVANT** d'installer et d'utiliser le treuil.

Les directives suivantes comprennent des indications, intitulées **AVERTISSEMENT**, **ATTENTION**, **AVIS** et **REMARQUE**. Le non-respect des consignes peut entraîner des blessures graves ou la mort. **AVERTISSEMENT** présente des consignes de sécurité soulignant un danger potentiel qui, s'il n'est pas évité, peut entraîner des blessures graves ou la mort. **ATTENTION** comprend des consignes de sécurité signalant un danger potentiel qui, s'il n'est pas évité, peut entraîner des blessures légères ou modérées. **ATTENTION** et **AVERTISSEMENT** identifient un danger, indiquent comment l'éviter et montrent ses conséquences possibles si on l'ignore. **AVIS** présente des consignes visant à éviter les dommages matériels. **REMARQUE** donne des renseignements additionnels qui aident à accomplir une procédure. **TRAVAILLEZ PRUDEMMENT !**

CONSERVEZ CE MANUEL et tous les autres documents relatifs au produit à titre de référence et consultez-les fréquemment pour assurer un fonctionnement continu en toute sécurité.

Demander à tous les utilisateurs de ce produit de lire le présent manuel avant de l'utiliser.

Autres documents relatifs au produit disponibles en ligne :

- **Manuel de base des techniques de treuillage**
 - Fournit une compréhension globale du treuil et vous enseigne les techniques de treuillage. Il s'agit d'une ressource utile qui favorise l'utilisation efficace et sûre du treuil.
- **Caractéristiques du produit et données de performance**
 - Fournit les caractéristiques du produit, les données de performance et les renseignements concernant les pièces de rechange.
- **Autres documents relatifs à des produits spécifiques**

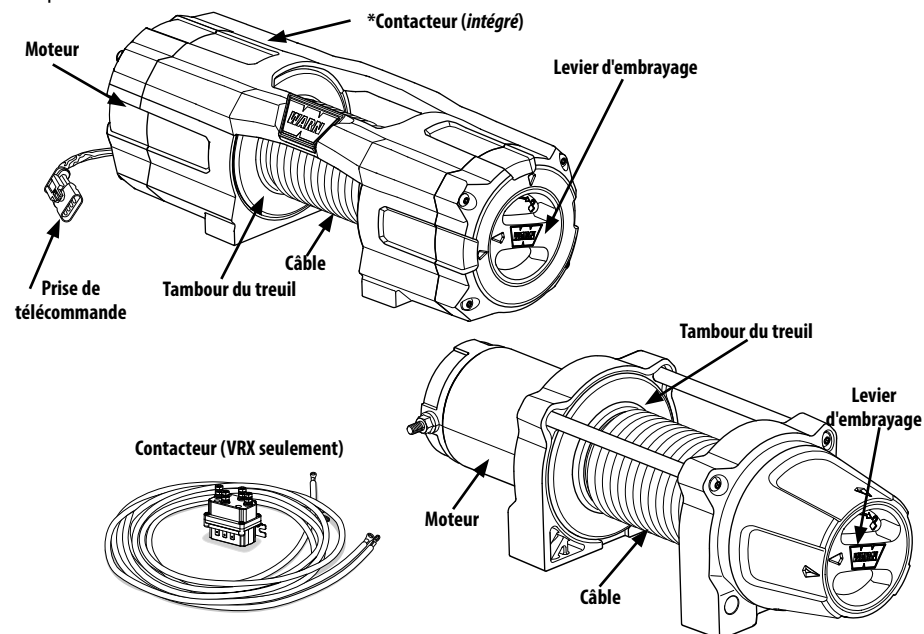
Consultez le site www.warn.com pour accéder à d'autres documents ou à des documents de remplacement sur les produits, disponibles en consultation/téléchargement.

TABLE DES MATIÈRES :

Se familiariser avec le treuil/ Se familiariser avec les composants.....	2-3
Montage.....	4-5
Raccordements électriques	6-8
Instructions pour la première utilisation	9-12
Entretien du câble synthétique.....	13
Dernière analyse et entretien	14
Garantie.....	15-16
États-Unis/Canada	15
International	16

SE FAMILIARISER AVEC LE TREUIL

Avant de commencer, vous devez vous familiariser avec votre treuil WARN® et chacun de ses composants.



Moteur : Le moteur du treuil est alimenté par la batterie du véhicule. Le moteur fournit de la puissance au système de rapports qui fait tourner le tambour et enroule le câble du treuil.

Tambour du treuil : Le tambour du treuil est le cylindre sur lequel le câble du treuil est alimenté. Le tambour est entraîné par le moteur et la transmission. Sa direction peut être modifiée à l'aide de la télécommande.

Câble du treuil : Le diamètre du câble du treuil et sa longueur sont déterminés par la structure et la puissance de traction du treuil. Enroulé autour du tambour du treuil, le câble passe par le guide-câble et se termine par une boucle pour l'axe de chape du crochet.

Le câble synthétique se compose de polyéthylène à poids moléculaire très élevée. Il est particulièrement solide. Il dispose d'un revêtement en uréthane résistant à la chaleur et d'une première couche renforcée avec une gaine thermique résistante pour une protection supplémentaire. La souplesse du câble synthétique et son faible poids permettent une utilisation plus facile sur le terrain.

Levier d'embrayage : L'embrayage permet à l'opérateur de dissocier manuellement le tambour du train de rapports, permettant au tambour de tourner librement. L'engagement de l'embrayage rend de nouveau le tambour solidaire du train d'engrenages.

Contacteur : En utilisant le courant de la batterie du véhicule, le contacteur du coffret de commande commute l'alimentation vers le moteur, permettant ainsi à l'opérateur de changer le sens de rotation du tambour. *** Le contacteur de treuil AXON est intégré au moteur du treuil.**

Prise de télécommande

(Treuil AXON) : La prise distante est l'endroit où l'opérateur branche la télécommande câblée afin de contrôler le treuil.

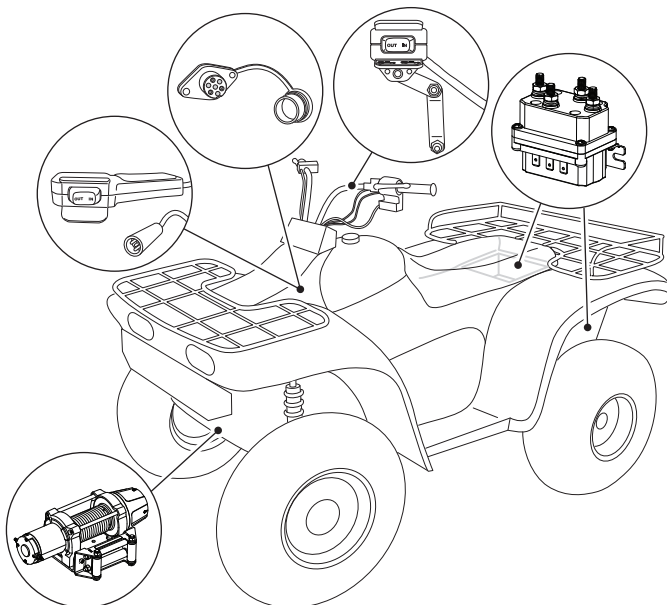
SE FAMILIARISER AVEC LES COMPOSANTS



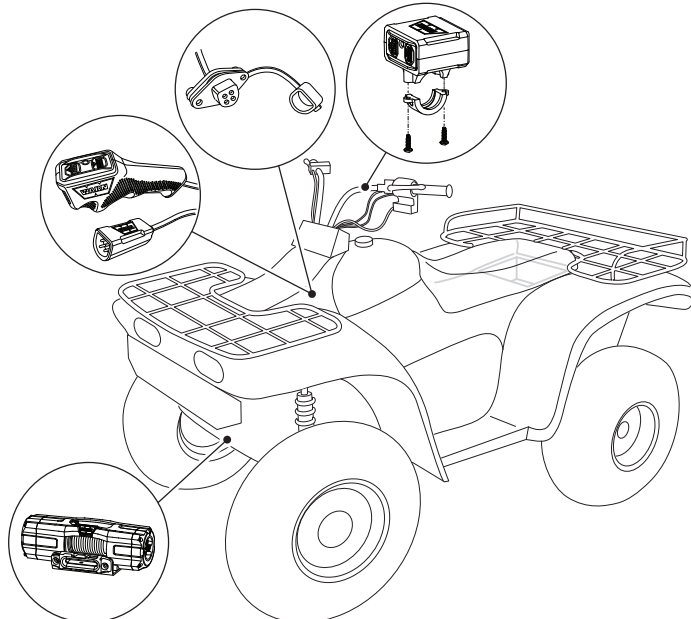
AVANT DE COMMENCER, il est important de lire attentivement toutes les instructions et informations de sécurité afférentes à votre produit avant d'installer et d'utiliser le treuil.

ÉTAPE 1 : IDENTIFIER LES EMPLACEMENTS DU MONTAGE

VRX



AXON



MONTAGE

ÉTAPE 2 : MONTAGE DU TREUIL :

AVERTISSEMENT Toujours choisir une surface de montage suffisamment résistante pour supporter la capacité de traction maximale du treuil.

AVERTISSEMENT Toujours positionner le guide-câble avec l'avertissement visible sur le dessus.

AVERTISSEMENT Toujours utiliser un matériel de montage de catégorie 8.8 ou supérieure.

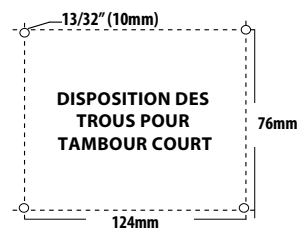
AVERTISSEMENT Ne jamais souder les boulons de fixation.

AVERTISSEMENT Toujours confirmer la longueur de boulon requise pour garantir un filetage adéquat.

AVERTISSEMENT Toujours achever le montage du treuil et la fixation du crochet avant d'effectuer le câblage.

MONTAGE DU TREUIL

VRX 25 / 35 - AXON 35

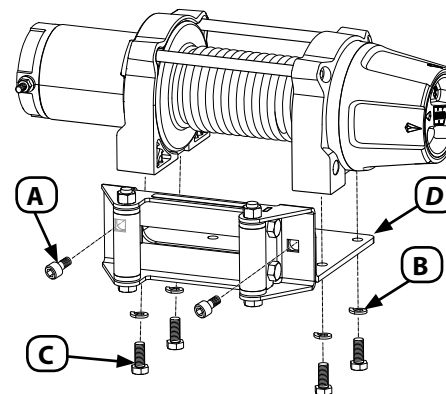


VRX 45 - AXON 45 / 55

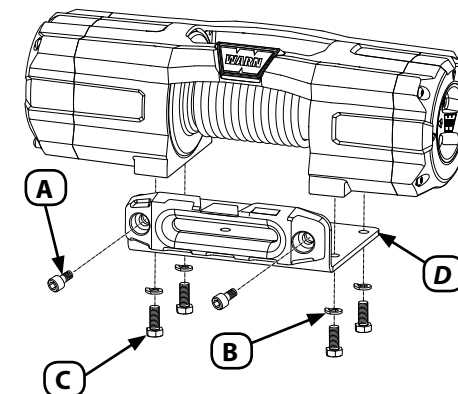


Item	Qty	Description
A	2	M10 x 15
B	4	M8
C	4	M8 x 1.25 x 25
D	1	VENDU SÉPARÉMENT

VRX



AXON



MONTAGE

ÉTAPE 3 : MONTAGE DES ÉQUIPEMENTS DE TÉLÉCOMMANDE

1. Déconnecter les câbles de la batterie du véhicule, la borne négative en premier. Tous les travaux avec des fils et des câbles électriques doivent être exécutés avec la batterie du véhicule débranchée.

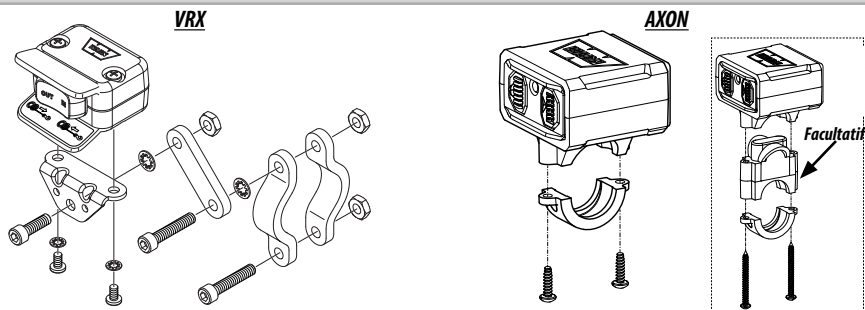
commandes du véhicule afin de ne pas créer de risques durant le fonctionnement du véhicule.

Sélectionner un emplacement de montage permettant de dégager toutes les commandes du véhicule.

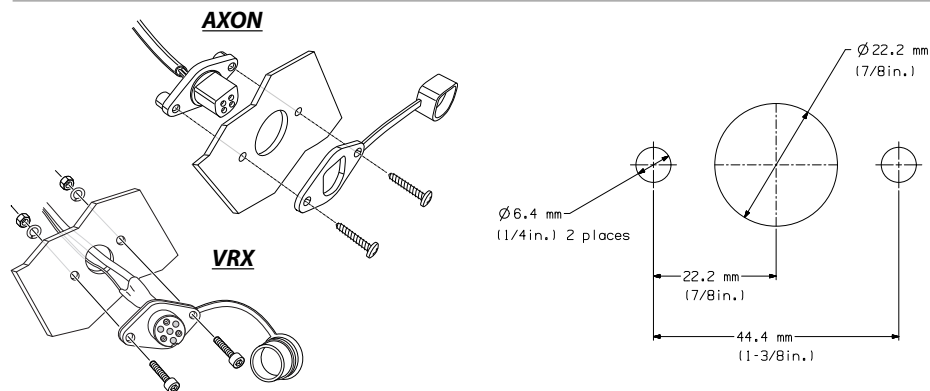
Avant de fixer le câble de l'interrupteur avec des attaches autobloquantes, s'assurer que les poignées peuvent tourner librement.

AVERTISSEMENT POUR ÉVITER LES RISQUES DE BLESSURES ET DE DOMMAGES MATÉRIELS : Faire attention pour déplacer ou repositionner les

MONTAGE DE L'INTERRUPTEUR SUR GUIDON

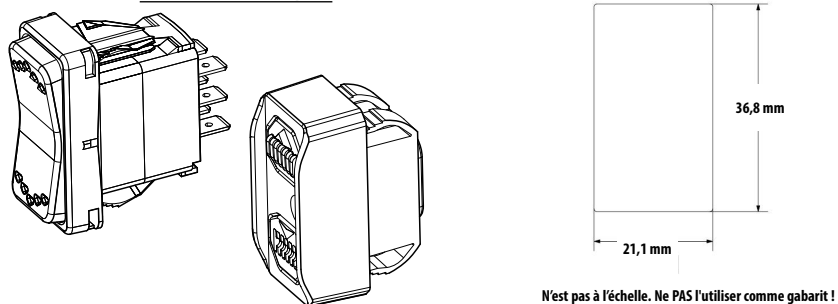


INSTALLATION DE LA PRISE DE TÉLÉCOMMANDE



MONTAGE DU COMMUTATEUR SUR LE TABLEAU DE BORD

VRX 45 - AXON 45 / 55



N'est pas à l'échelle. Ne PAS l'utiliser comme gabarit !

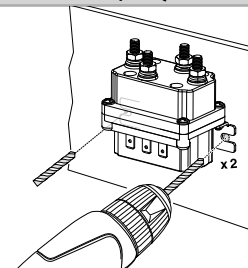
RACCORDEMENTS ÉLECTRIQUES

ÉTAPE 4 : MONTAGE DU CONTACTEUR (uniquement pour le treuil VRX)

AVERTISSEMENT Ne jamais installer le contacteur avec des bornes électriques au contact d'objets en métal.

AVERTISSEMENT Avant de percer, toujours s'assurer que la zone ne contient pas de conduites de carburant, de réservoir de carburant, de conduites de frein, de câblage électrique, etc.

MONTAGE DU CONTACTEUR (UNIQUEMENT POUR LE TREUIL VRX)



ÉTAPE 5 : CÂBLAGE DES ÉQUIPEMENTS

AVERTISSEMENT Toujours retirer les bijoux et porter des lunettes de sécurité lors du branchement sur la batterie.

AVERTISSEMENT Ne jamais faire passer les câbles électriques par-dessus des bords tranchants.

AVERTISSEMENT Ne jamais faire passer les câbles électriques à travers des pièces mobiles ou à proximité.

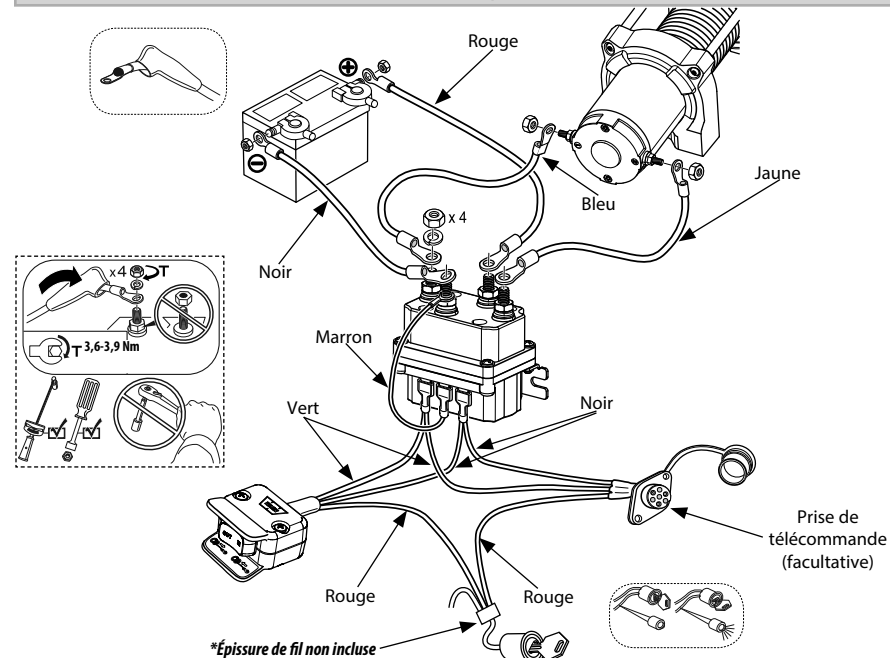
AVERTISSEMENT Ne jamais faire passer les câbles électriques à proximité de pièces qui s'échauffent.

AVERTISSEMENT Toujours isoler et protéger tous les fils et bornes électriques exposés.

AVERTISSEMENT Ne jamais faire passer les câbles électriques par-dessus les bornes de la batterie.

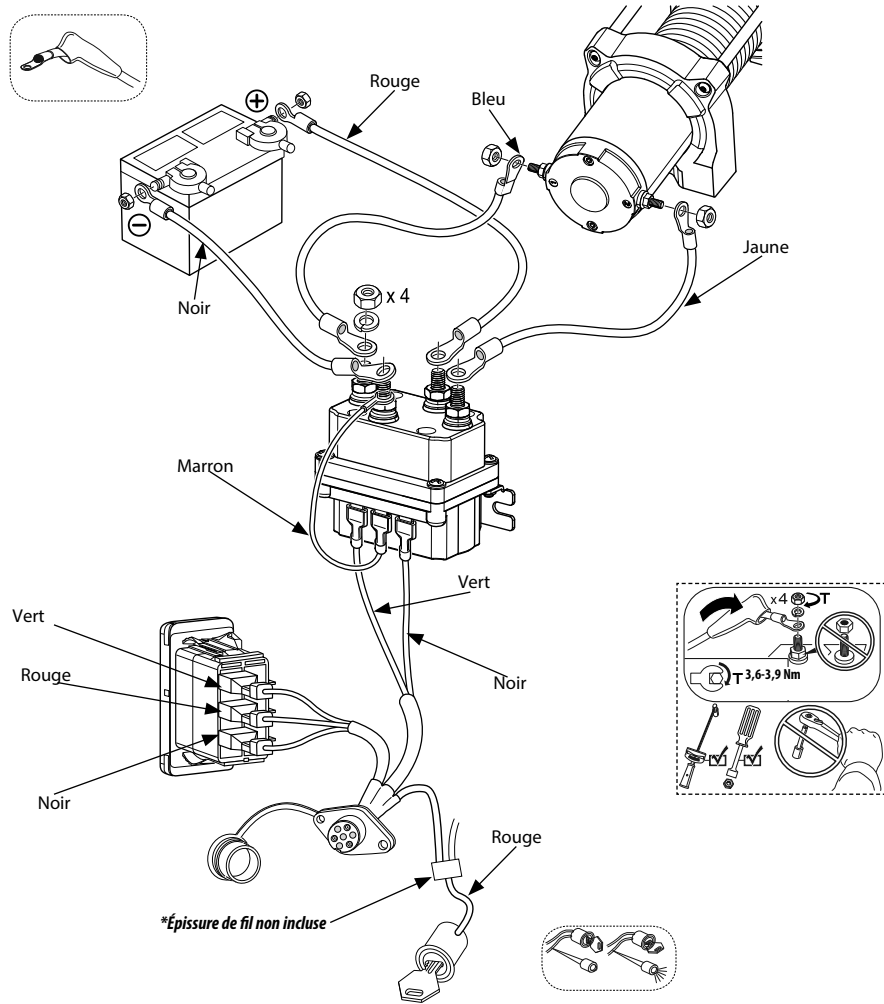
AVERTISSEMENT Toujours placer les capuchons fournis sur les fils et les bornes.

VRX 25 / 35



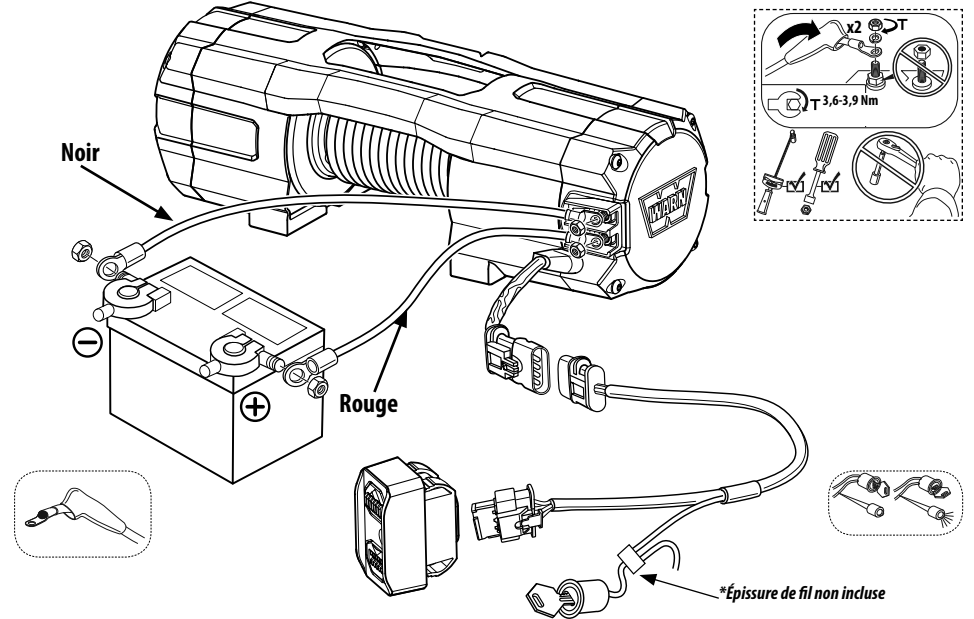
RACCORDEMENTS ÉLECTRIQUES

VRX 45

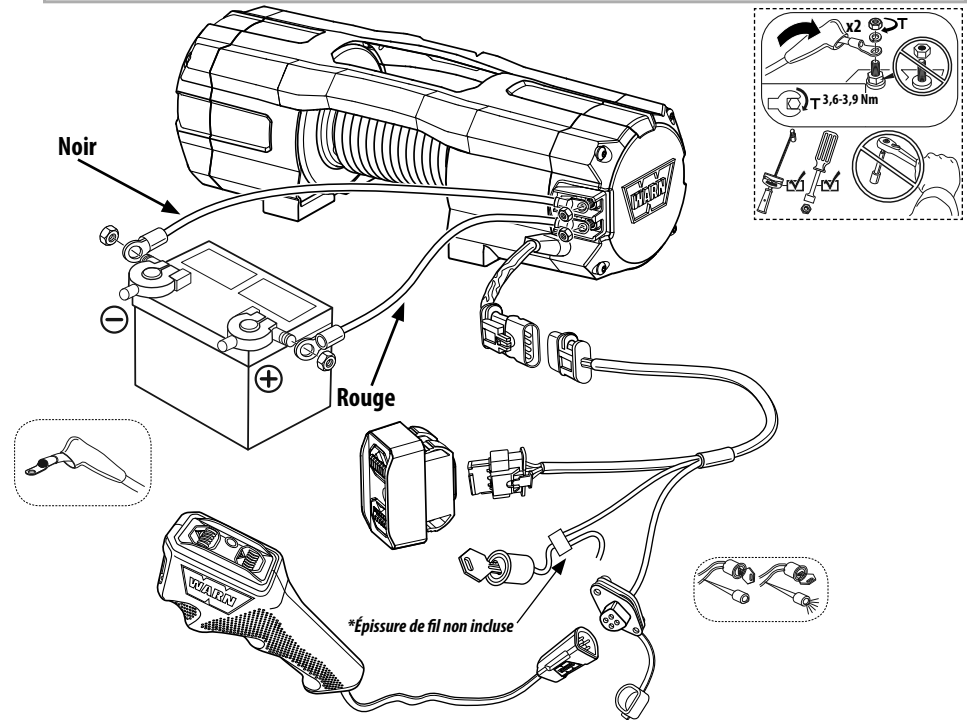


RACCORDEMENTS ÉLECTRIQUES

AXON 35



AXON 45/55



Étape 3 : Vérifications du système

AVERTISSEMENT Toujours brancher le câble d'alimentation rouge (+) UNIQUEMENT à la borne positive (+) de la batterie.

AVERTISSEMENT Toujours brancher le câble d'alimentation noir (-) UNIQUEMENT à la borne négative (-) de la batterie.

Réaliser une vérification du système :

1. Vérifier les fixations et s'assurer qu'elles sont bien serrées aux couples de serrage indiqués.
2. Vérifier que tous les câblages électriques de chaque composant sont corrects et que tous les points de connexion sont bien serrés.
3. Vérifier qu'il n'y a pas de fils exposés/nus, de bornes ou de câbles dont l'isolant est endommagé.
4. Lire la totalité du Manuel de base des techniques de treuillage avant d'utiliser le treuil (www.warn.com).

Une fois la vérification du système achevée, vous pouvez suivre les « Instructions relatives à une première utilisation ».

Étape 4 : Instructions relatives à une première utilisation

Dans cette section, nous donnons les explications nécessaires pour faire fonctionner efficacement le treuil pour la première fois, dans le cadre d'un treuillage simple. Pour des détails complets sur le fonctionnement du treuil et les techniques de treuillage, consulter le manuel de base des techniques de treuillage sur le site www.warn.com.

AVERTISSEMENT Ne jamais utiliser le treuil comme palan ou pour suspendre une charge.



AVERTISSEMENT Ne jamais utiliser le treuil pour soulever ou transporter des personnes.



Télécommande :

AVERTISSEMENT Toujours garder le fil de la télécommande et le cordon d'alimentation à l'écart du tambour, du câble et du câblage. S'assurer qu'il n'y a pas de fissures, de points de pincement, de fils effilochés ou de connexions desserrées. Tous les composants endommagés doivent être remplacés avant d'utiliser le produit.

AVERTISSEMENT Ne jamais laisser la télécommande dans un emplacement où elle peut être activée par inadvertance.

AVERTISSEMENT Ne jamais laisser la télécommande du treuil branchée durant l'installation, le déroulement

en roue libre, le câblage, l'entretien ou quand le treuil n'est pas utilisé.

La télécommande permet de commander la rotation de déroulement (marche avant) et d'enroulement (marche arrière) du tambour.

Ne pas laisser la télécommande branchée dans le treuil lorsque celui-ci n'est pas utilisé. Une télécommande qui reste branchée risque de provoquer l'activation accidentelle du treuil et/ou de vider la batterie.

Fonctionnement de l'embrayage :

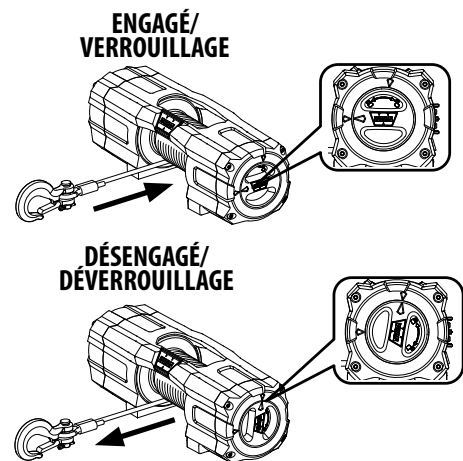
AVERTISSEMENT Ne jamais embrayer ou débrayer si le treuil est sous charge, si le câble du treuil est en tension ou si le tambour est en train de tourner.

AVIS Toujours s'assurer d'avoir complètement embrayé ou complètement débrayé pendant l'utilisation du treuil.

Le levier d'embrayage est situé sur le carter du treuil en face du moteur et permet de commander la position de l'embrayage. Pour éviter tout dommage, tourner complètement le levier d'embrayage dans l'une ou l'autre position.

Lorsque l'embrayage est en prise, le train d'engrenages est couplé au tambour du treuil et l'entraînement peut alors être transféré du moteur du treuil.

Lorsque l'embrayage est débrayé, le tambour est en position de déroulement en roue libre et le train d'engrenages et le tambour du treuil se désaccouplent, ce qui permet au tambour de tourner librement.



Déroulement du câble

AVERTISSEMENT Ne jamais faire fonctionner le treuil avec moins de 5 tours de câble de treuil autour du tambour. La corde pourrait se détacher du tambour.

AVERTISSEMENT Toujours garder les mains éloignées du câble du treuil, de la boucle du crochet, du crochet et de l'ouverture du guide-câble durant l'installation et l'utilisation de l'appareil et l'enroulement ou le déroulement du câble.



AVERTISSEMENT Toujours porter des gants épais durant la manipulation du câble du treuil.



Le déroulement en roue libre constitue généralement la façon la plus rapide et la plus facile de dérouler le câble du treuil. Avant de mettre le treuil en roue libre pour dérouler le câble, dérouler au moteur une quantité suffisante de câble pour soulager le câble de toute tension. Débrayer. Dérouler ensuite manuellement une quantité suffisante de câble pour pouvoir travailler avec le treuil. Voir le manuel de base des techniques de treuillage pour de plus amples informations, consultable en ligne sur le site www.warn.com.

AVIS Ne PAS dérouler le câble de plus de 9 m sans laisser refroidir le treuil pendant 20 minutes avant de recommencer l'enroulement. Utiliser plutôt l'embrayage en déroulement libre en tirant le câble à la main.

AVERTISSEMENT Toujours utiliser la sangle de crochet fournie pour enrouler ou dérouler le câble du treuil.



Enroulement sous charge

AVERTISSEMENT Ne jamais excéder la capacité nominale du treuil ou du câble de treuil.

AVERTISSEMENT Connaissez toujours la limite de charge de travail (WLL) de votre corde.

AVERTISSEMENT Ne dépassez jamais la charge maximale de la corde ou choquez cette corde.

Enrouler mécaniquement le câble du treuil sur le tambour de manière uniforme et serrée. Cela empêche les spires extérieures de s'enfoncer dans les spires intérieures, ce qui peut coincer et endommager le câble.

Pour éviter les charges de choc durant l'enroulement du câble, actionner l'interrupteur de commande de manière intermittente afin d'éliminer le mou du câble. Les charges de choc peuvent momentanément dépasser de loin la capacité du treuil et du câble.

Enroulement à vide

AVERTISSEMENT Ne jamais toucher le câble du treuil ou le crochet lorsqu'une autre personne se trouve à l'interrupteur de commande, quand le câble du treuil est sous charge ou durant le fonctionnement du treuil.

Déroulement avec un assistant : demander à un assistant de tenir la sangle de crochet en appliquant

une tension aussi constante que possible sur le câble du treuil. Tout en maintenant la tension, il devra se déplacer en direction du treuil pendant l'actionnement de l'interrupteur de commande pour enrouler le câble. Relâcher l'interrupteur lorsque le crochet parvient à une distance minimum de 2 m de l'ouverture du guide-câble.

Enrouler le reste du câble pour le ranger, de la manière indiquée ci-dessous.

Déroulement tout seul : Arranger le câble à enrouler de manière à ce qu'il ne s'entortille ni ne s'emmêle pendant le rembobinage. Veiller à ce que le câble soit enroulé sur le tambour de manière uniforme et serrée. Enrouler une quantité suffisante de câble pour compléter une couche entière sur le tambour. Serrer et étaler de manière égale la couche de câble. Faites de même jusqu'à ce que le crochet se trouve à au moins 2 m de l'ouverture du guide-câble.

Enroulement du reste du câble pour le ranger

Lorsque le crochet se trouve à moins de 2 m du guide-câble, détacher le crochet du point d'ancrage ou de la charge. En tenant la sangle de crochet fournie, maintenir la tension sur câble du treuil. Enrouler lentement le treuil en appliquant de petites pressions sur la touche « Power in » (enrouler) de la télécommande jusqu'à ce que le crochet soit à moins de 1 m du guide-câble.

Arrêter le treuillage et fixer le crochet sur un point d'ancrage approprié sur le véhicule.

AVIS Ne pas laisser le crochet atteindre le guide-câble. Cela pourrait endommager le guide-câble.

Une fois le crochet fixé correctement au véhicule, enrouler le câble de façon à éliminer le mou restant en appliquant de petites pressions sur la touche « Power in » (enrouler) de la télécommande jusqu'à ce que le mou soit minime sur le câble du treuil.

Surcharge/surchauffe

AVERTISSEMENT Toujours être attentif aux surfaces chaudes au niveau du moteur du treuil, du tambour ou du câble durant ou après l'utilisation du treuil.

Ce treuil est conçu pour un service intermittent. Lorsque le moteur est sur le point de caler, une accumulation rapide de chaleur se produit et peut endommager le moteur.

Le câblage double (voir le manuel de base des techniques de treuillage) permet de réduire le débit en ampères et de réduire ainsi l'accumulation de chaleur dans le moteur. Cela permet une utilisation continue prolongée.

Limiteur de charge (treuils AXON)

⚠ AVERTISSEMENT Ne jamais embrayer ou débrayer si le treuil est sous charge, si le câble du treuil est en tension ou si le tambour est en train de tourner.

⚠ AVERTISSEMENT Ne jamais toucher le câble ou le crochet lorsque le câble est tendu ou sous charge.

Le dépassement de la capacité du treuil AXON entraîne le déclenchement du limiteur de charge, ce qui a pour effet de couper l'alimentation du moteur. Cela empêche la surchauffe et des dommages potentiels au moteur. À 50% de la capacité de traction, l'indicateur à distance devient jaune. À 75% de la capacité de traction, l'indicateur à distance devient orange. À 90% de la capacité de traction, l'indicateur à distance devient rouge. Lorsque la capacité de traction est dépassée, le limiteur de charge fait clignoter le voyant rouge et le moteur AXON s'arrête. Lorsque cela se produit, libérez la charge en débobinant. Une fois que le limiteur de charge est déclenché, il est impossible de rembobiner le câble jusqu'à ce que le limiteur de charge soit réinitialisé par le déroulement du câble. Ne tentez pas d'appliquer la même charge si le limiteur de charge s'est déclenché, car cela peut endommager le treuil. Si le limiteur de charge ne se réarme pas, communiquez avec un centre de service autorisé.

Si le limiteur de charge continue à se déclencher, effectuez les actions suivantes :

1. Réduisez le poids de la charge.
2. Augmentez la distance du point d'ancrage. La capacité de traction maximale est obtenue lorsque la première couche de câble est sur le tambour. L'augmentation de la distance entre le treuil et le point d'ancrage réduit le nombre de couches de câble sur le tambour, ce qui accroît la puissance de traction.

ÉTIREMENT DU CÂBLE DU TREUIL

⚠ AVERTISSEMENT Toujours étirer au préalable le câble et l'enrouler sous charge avant de l'utiliser.

⚠ AVERTISSEMENT Toujours inspecter le câble du treuil, le crochet et les élingues avant de faire fonctionner le treuil. Tout câble de treuil effiloché, tordu ou endommagé doit être remplacé immédiatement. Tous les composants endommagés doivent être remplacés avant d'utiliser le produit. Protéger toutes les pièces contre le risque de dommages.

Il est essentiel d'étirer (tendre) le câble pour assurer une longue durée de vie au produit. Tendre le câble empêchera les couches extérieures du câble de pincer et déformer les couches intérieures.

Lors de sa première utilisation, un câble neuf doit être enroulé sur son tambour sous une charge d'au moins 226 kg.

Suivre simplement les directives suivantes pour étirer correctement le câble sur le tambour.

⚠ AVERTISSEMENT Toujours porter des gants de cuir épais durant la manipulation du câble du treuil.

1. Choisir un emplacement PLAT ET DE NIVEAU suffisamment grand pour pouvoir dérouler le câble sur pratiquement toute sa longueur.
2. Débrayer.

⚠ AVERTISSEMENT Toujours garder les mains éloignées du câble du treuil, de la boucle du crochet, du crochet et de l'ouverture du guide-câble durant l'installation et l'utilisation de l'appareil et l'enroulement ou le déroulement du câble.

3. Saisir le cordon du crochet et dérouler le câble en laissant 5 spires de câble enroulées autour du tambour.
4. S'assurer que le câble du treuil s'enroule sur le bas du tambour, sinon le frein de retenue automatique de la charge ne fonctionnera pas correctement. **REMARQUE** : Si le câble s'enroule sur le haut du tambour, cela signifie que l'on a actionné le treuil en mode de déroulement et non d'enroulement. S'assurer de l'enroulement du câble.

⚠ AVERTISSEMENT Toujours enrouler le câble du treuil sur le dessous (côté support) du tambour.

AVIS Afin que le frein du treuil fonctionne correctement, il faut que le câble du treuil s'enroule autour du tambour dans le sens indiqué. *Voir l'étiquette de sens de rotation du tambour apposée sur le treuil.

5. Une fois le câble du treuil déroulé, embrayer.

⚠ AVERTISSEMENT Toujours s'assurer que le loquet du crochet est fermé.

⚠ AVERTISSEMENT Toujours appliquer la charge uniquement au centre du crochet.

⚠ AVERTISSEMENT Ne jamais appliquer la charge sur l'extrémité du crochet ou utiliser un crochet plié ou tordu.

6. Fixer l'extrémité du crochet du câble à un point d'ancrage approprié.

⚠ AVERTISSEMENT Toujours s'assurer que tout obstacle pouvant gêner la bonne utilisation du treuil est écarté.

⚠ AVERTISSEMENT Ne jamais replier le câble du treuil sur lui-même. Utiliser une chaîne ou une sangle sur le point d'ancrage.

⚠ AVERTISSEMENT Toujours s'assurer que le point d'ancrage choisi peut supporter la charge et que la sangle ou la chaîne ne glisse pas.

7. Remonter dans le véhicule.
8. Reculer le véhicule de façon à l'éloigner du point d'ancrage jusqu'à laisser très peu de mou au niveau du câble.
9. Serrer le frein à main et mettre le véhicule en prise ou en position de stationnement, puis couper le moteur.

⚠ AVERTISSEMENT Toujours se tenir à l'écart du câble du treuil et de la charge durant l'utilisation et ne jamais laisser personne s'approcher.

10. Descendre du véhicule. **AVERTISSEMENT !** Ne jamais quitter le véhicule alors que le câble du treuil porte une charge. Se tenir à environ 2,44 m du treuil et enrouler le câble sur le tambour du treuil jusqu'à éliminer complètement le mou du câble.

⚠ AVERTISSEMENT Ne jamais toucher le câble du treuil ou le crochet lorsqu'une autre personne se trouve à l'interrupteur de commande, quand le câble du treuil est sous charge ou durant le fonctionnement du treuil.

⚠ AVERTISSEMENT Ne jamais laisser le câble du treuil glisser dans les mains.

11. Après avoir enfilé des gants, maintenir le câble tendu d'une main ; pousser avec précaution le câble vers le côté du tambour auquel le câble est fixé de façon à ce qu'il n'y ait pas d'espace entre les spires sur le tambour.
12. Par mesure de sécurité, les étapes suivantes devraient être effectuées par deux personnes. Si l'utilisateur tente de tendre le câble tout seul, il doit s'assurer de toujours mettre le frein à main, la transmission en prise ou en position de stationnement et d'éteindre le moteur du véhicule chaque fois qu'il descend du véhicule pour inspecter le câble du treuil. **AVIS** Prendre soin d'enrouler uniformément chaque couche pour éviter d'endommager le câble.
- ⚠ AVERTISSEMENT** Ne jamais utiliser la télécommande si le véhicule ne se trouve pas dans le champ de vision de l'utilisateur.
13. Le conducteur du véhicule doit actionner le treuil.
14. Demander à l'assistant de s'éloigner du véhicule et du câble. **REMARQUE** : L'assistant doit signaler si le câble du treuil s'enroule correctement en observant son déplacement sur le guide-câble pendant l'enroulement.
15. Démarrer le véhicule et placer la transmission au

point mort. Desserrer ensuite le frein à main tout en appuyant modérément sur la pédale de frein.

16. Enrouler le câble du treuil pour commencer le treuillage.
 17. Effectuer le treuillage sur environ 2 m, puis arrêter.
 18. Relâcher lentement la pédale de frein, puis serrer le frein à main. Cela permet d'assurer qu'il n'y a aucune charge sur le câble.
 19. Mettre le levier de vitesse en position de stationnement ou en prise, puis couper le moteur.
 20. Descendre du véhicule et inspecter le treuil pour vous assurer que le câble est enroulé uniformément sur le tambour du treuil et qu'il ne creuse pas la couche inférieure. Si c'est le cas, dérouler le câble du treuil en appuyant sur le bouton de déroulement de la télécommande et répéter cette étape à partir du début en appliquant davantage de pression sur la pédale de frein.
 21. Après s'être assuré que le câble du treuil s'enroule correctement sur le tambour, répéter la procédure jusqu'à ce que le véhicule soit à moins de 2 m du point d'ancrage. Lorsque le crochet se trouve à moins de 2 m, relâcher lentement la pédale de frein, puis serrer le frein à main. Cela permet d'assurer qu'il n'y a aucune charge sur le câble. Mettre le levier de vitesse en position de stationnement ou en prise, puis couper le moteur.
 22. Descendre du véhicule. Décrocher le crochet du point d'ancrage.
 23. Tout en retenant le cordon du crochet fourni, maintenir la tension sur le câble du treuil et enrouler lentement le treuil par de petites pressions sur le bouton d'enroulement de la télécommande jusqu'à ce que le crochet soit à moins de 1 m du guide-câble.
 24. Arrêter le treuillage et fixer le crochet sur un point d'ancrage approprié sur le véhicule.
 25. Une fois le crochet fixé correctement au véhicule, enrouler le câble du treuil de façon à éliminer le mou restant en appliquant de petites pressions sur le bouton d'enroulement de la télécommande jusqu'à ce que le mou soit minime sur le câble du treuil.
- AVIS** Ne pas laisser le crochet atteindre le guide-câble. Cela pourrait endommager le guide-câble.

CÂBLAGE

Pour des détails complets sur les principes fondamentaux du câblage, consulter le manuel de base des techniques de treuillage sur le site www.warn.com.

Entretien du câble synthétique :

Nettoyage :

- Utiliser de l'eau à basse pression pour nettoyer le câble synthétique. N'utiliser aucun produit chimique.
- Éviter de diriger un jet d'eau haute pression (laveuses haute pression, lave-auto, etc.) directement entre le support et le rebord du tambour ou le levier d'embrayage.
- Nettoyer le treuil à l'aide d'eau sous faible pression et d'une éponge ou d'un chiffon savonneux.
- N'utilisez pas de produits chimiques qui pourraient endommager la finition.
- Nettoyez soigneusement les résidus de sel du treuil le plus vite possible afin de minimiser la corrosion.

Inspection du câble :

⚠ AVERTISSEMENT **Toujours inspecter le câble du treuil, le crochet et les élingues avant de faire fonctionner le treuil. Tout câble de treuil effiloché, tordu ou endommagé doit être remplacé immédiatement. Tous les composants endommagés doivent être remplacés avant d'utiliser le produit. Protéger toutes les pièces contre le risque de dommages.**

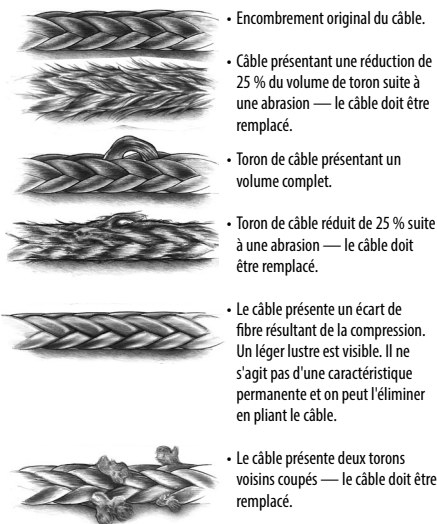
Lorsque le câble du treuil est utilisé pour la première fois, ses filaments extérieurs s'effilochent rapidement. C'est le résultat d'une rupture de ces filaments et cette surface rendue rugueuse protégera en réalité les fibres qui se trouvent en dessous. Cette situation devrait se stabiliser et ne plus évoluer. Si la rugosité de surface augmente, on se trouve en présence d'une abrasion excessive et d'un affaiblissement du câble.

Examiner attentivement les fibres internes et externes. La présence d'usure sur l'une ou l'autre de ces fibres est le signe d'un affaiblissement. Ouvrir les torons et rechercher des fibres réduites en poussières – il s'agit d'un signe d'usure interne.

Des décolorations localisées peuvent être le signe d'une attaque par une substance chimique pouvant aller de l'huile pour engrenages à l'acide de batterie. En cas de doute, remplacer le câble.

Le câble doit être remplacé lorsque :

- Le câble présente, n'importe où sur sa longueur, une réduction de volume d'au moins 10 % liée à une abrasion.
- Au moins deux torons voisins sont coupés.
- On découvre des zones plates ou des protubérances qu'il n'est pas possible d'éliminer en pliant le câble.
- On découvre un nombre excessif de fibres fusionnées ou fondues. Dans ce cas, la zone affectée est raide et le câble a un aspect glacé.



Contrôle	Avant la première utilisation	Après chaque utilisation	Tous les 90 jours
Prendre le temps de bien lire le manuel d'utilisation et/ou le manuel de base des techniques de treuillage, afin de comprendre le treuil et son fonctionnement.	X		
Vérifier les fixations et s'assurer qu'elles sont bien serrées aux couples de serrage indiqués. Remplacer toute fixation endommagée.	X		X
Vérifier que chaque composant est correct et que tous les points de connexion sont bien serrés;	X		X
Vérifier qu'il n'y a pas de fils exposés/nus, de bornes ou de câbles dont l'isolant est endommagé (frottement/coupure). Couvrir les parties exposées au moyen de capuchons. Au besoin, réparer ou remplacer les câbles électriques endommagés.	X		X
Inspecter le câble du treuil, le crochet, la gaine thermique et les élingues. Tout câble de treuil effiloché, tordu ou endommagé doit être remplacé immédiatement. Tous les composants endommagés doivent être remplacés avant d'utiliser le produit.	X	X	X
Garder le treuil, le câble et la télécommande exempts de contaminants. Utiliser un chiffon ou une serviette propre pour enlever les saletés et débris éventuels.		X	
Si le treuil est submergé dans de l'eau : Dérouler le câble du treuil puis enrouler à nouveau d'environ 9 mètres. Suivez la procédure intitulée « Étirement du câble du treuil » afin de sécher le treuil.	X	X	

Prendre le temps de bien se familiariser avec le treuil et son fonctionnement en examinant le Manuel de base des techniques de treuillage qui peut être consulté en ligne sur le site :

www.warn.com

Pour plus d'informations ou pour toute question, contacter :

WARN INDUSTRIES, INC.

12900 S.E. Capps Road,

OR ÉTATS-UNIS 97015-8903, 1-503-722-1200,

Service à la clientèle : 1-800-543-9276

Registre des concessionnaires : 1-800-910-1122

Ou consulter le site www.warn.com.



TREUIL WARN® VRX AND AXON

GARANTIE À VIE LIMITÉE POUR LES COMPOSANTS MÉCANIQUES
GARANTIE LIMITÉE À TROIS (3) AN POUR LES COMPOSANTS ÉLECTRIQUES

Warn Industries, Inc. (Warn) garantit à l'acheteur original que (a) les composants mécaniques de la Treuil WARN VRX and Axon sera exempt de défauts de matériaux et de fabrication pour la durée de vie du treuil, et (b) les composants électriques sera exempt de défauts de matériaux et de fabrication pour une période d'un (1) an à compter de la date d'achat originale. Cette garantie se applique uniquement à l'acheteur original du treuil.

Produits couverts par la garantie:

- Treuil Produit VRX and Axon

Pour obtenir un service de garantie:

- Appelez Warn Service à la clientèle au 1-800-543-9276 pour obtenir des informations de demande de garantie.
- Fournir la preuve de l'achat d'une copie d'un reçu daté et facture d'achat originale montrant clairement le produit WARN acheté.
- Faire la demande dans le délai de garantie.
- Fixez votre nom, adresse, numéro de téléphone, une description du problème et une copie de votre reçu et facture d'achat originale au produit.
- Retourner le produit, frais de transport prépayés, à l'Industries Service Warn au 13270 SE Pheasant Ct, Milwaukie, Oregon 97222. OU trouver le plus proche préviens centre de service autorisé en visitant: www.warn.com/corporate/authservicecenters.shtml.

Warn, à sa discrétion, de réparer, remplacer ou rembourser le prix d'achat d'un produit ou du composant défectueux.

Les éléments non couverts par cette garantie comprennent: l'enlèvement ou la réinstallation du produit, câble, corde synthétique et finition du produit.

Cette garantie ne se applique pas si le produit a été endommagé par accident, abus, collision, surcharge, modification, mauvaise application, une mauvaise installation ou d'utilisation non conforme. Cette garantie est nulle si Warn numéro de série ou code de date a été enlevé ou rendu illisible. Utilisation commerciale ou industrielle ou une application, ou ne importe quelle application de levage du produit, annulent la garantie.

LA GARANTIE SUSMENTIONNÉE EST LA SEULE GARANTIE. IL N'EXISTE AUCUNE AUTRE GARANTIE, EXPLICITE OU IMPLICITE, Y COMPRIS, MAIS SANS S'Y LIMITER, TOUTE GARANTIE IMPLICITE DE QUALITÉ MARCHANDE OU D'ADAPTATION À UN USAGE PARTICULIER.

TOUTE GARANTIE IMPLICITE PAR LA LOI QUI NE PEUT ÊTRE EXCLUE EST LIMITÉE À UNE DURÉE DE UN (1) AN DE LA DATE D'ACHAT INITIALE DU PRODUIT DELA DU PRODUIT.

WARN NE SERA PAS RESPONSABLE POUR PARTICULIERS, INDIRECTS, ACCESSOIRES OU CONSÉCUTIFS (Y COMPRIS, MAIS SANS S'Y LIMITER, LES PERTES DE PROFITS, LE TEMPS D'OU PERTE D'UTILISATION) EN VERTU DE TOUTE THÉORIE JURIDIQUE, MÊME SI WARN A ÉTÉ INFORMÉ DE LA POSSIBILITÉ DE TELS DOMMAGES.

Certains états ne autorisent pas l'exclusion des garanties implicites ou l'exclusion ou la limitation de responsabilité pour les dommages indirects ou consécutifs, ou les limitations sur la durée d'une garantie implicite, la limitation ou l'exclusion ci-dessus peuvent ne pas se appliquer à vous. Cette garantie vous donne des droits spécifiques. Vous pouvez également avoir d'autres droits qui varient d'un état à l'autre.

Warn se réserve le droit de modifier la conception du produit sans préavis. Dans les situations où Warn a changé la conception de produit, Warn ne aura aucune obligation de mettre à jour ou de modifier les produits déjà fabriqués autrement.

Aucun concessionnaire WARN, agent ou employé est autorisé à apporter quelque modification, extension ou ajout à cette garantie.

Cette garantie est valable uniquement aux Etats-Unis et au Canada. Pour que la garantie en dehors des USA et du Canada, contactez votre point de vente locale détaillant. Pour trouver le revendeur le plus proche de votre position se il vous plaît visitez notre site Web à <http://www.warn.com/corporate/dealerlocator.jsp> ou contactez-nous au 1-503-722-1200 ou 1-503-722-3000 (télécopieur).



WARN® Garantie Internationale de produit

Warn Industries, Inc. (WARN) garantit que ses produits vendus à l'extérieur des États-Unis et au Canada sont exempts de défauts de matériaux et de fabrication avertir à travers distributeurs autorisés et vendeurs locaux.

Toutes les demandes de garantie en dehors des États-Unis et au Canada pour WARN® produits doivent être adressées à votre point local du détaillant de vente.

Pour trouver le revendeur le plus proche de votre position s'il vous plaît visitez notre site Web à <http://www.warn.com/corporate/dealerlocator.jsp> ou contactez-nous au 1-503-722-1200 ou 1-503-722-3000 (télécopieur) .

Les détails spécifiques de la garantie peuvent varier en fonction des lois et règlements locaux.

Cette garantie concerne uniquement à l'acheteur d'origine des produits. Pour obtenir un service de garantie, vous devez fournir une preuve d'achat, comme une copie de votre facture d'achat. Cette garantie ne couvre pas le retrait ou la réinstallation du produit. WARN sera, à son choix, réparer, remplacer ou rembourser le prix d'achat d'un produit ou composant défectueux, à condition que vous retourner le produit ou le composant défectueux au cours de la période de garantie, frais de transport prépayés, à un centre de service agréé. Fixez votre nom, adresse, numéro de téléphone, une description du problème et une copie de votre facture et le projet de loi initial de vente portant le numéro de WARN partie du produit et la date d'achat défectueux.

Cette garantie ne couvre pas si le produit a été endommagé par accident, abus, collision, surcharge, modification, mauvaise application, une mauvaise installation ou d'un mauvais entretien. Cette garantie sera annulée si un WARN numéro de série ou le code de date de fabrication a été enlevé ou rendu illisible.

IL N'Y A AUCUNE AUTRE GARANTIE, EXPLICITE OU IMPLICITE, Y COMPRIS, MAIS SANS S'Y LIMITER, TOUTE GARANTIE IMPLICITE DE QUALITÉ MARCHANDE OU D'ADAPTATION À UN USAGE PARTICULIER.

WARN NE SERA PAS RESPONSABLE DE DOMMAGES PARTICULIERS, INDIRECTS, ACCESSOIRES OU INDIRECTS (Y COMPRIS, MAIS SANS S'Y LIMITER, LES PERTES DE PROFITS, LE TEMPS D'ou perte d'usage) EN VERTU DE TOUTE THÉORIE JURIDIQUE, MÊME SI EN GARDE A ÉTÉ INFORMÉ DE LA POSSIBILITÉ DE TELS DOMMAGES.

WARN se réserve le droit de modifier la conception du produit sans préavis. Dans les situations où WARN a changé une conception de produit, WARN n'a aucune obligation de mettre à jour ou de modifier les produits fabriqués antérieurement. Aucun concessionnaire Warn, agent ou employé est autorisé à apporter quelque modification, extension ou ajout à cette garantie.

Les demandes concernant la garantie et les produits renvoyés pour service de garantie doivent être envoyés à :

WARN INDUSTRIES, INC. 12900 S.E. Capps Road,
Clackamas, OR États-Unis 97015-8903, 1-503-722-1200, Télécopie: 1-503-722-3000
Service à la clientèle: 1-800-543-9276
Le Service de Locateur de négociant: 1-800-910-1122
International Télécopie: 1-503-722-3000
www.warn.com

VRX y AXON™

Manual del usuario para el cabrestante



En este manual se incluye información de seguridad relevante, así como las instrucciones para utilizar el cabrestante. Es importante que lea **TODAS** las instrucciones y la información de seguridad **ANTES** de instalar y utilizar el cabrestante.

Al leer estas instrucciones, verá **ATENCIÓNES, PRECAUCIONES, AVISOS** y **NOTAS**. Si no se tienen en cuenta estas instrucciones, podrían producirse lesiones graves o incluso la muerte. Las **ATENCIÓNES** son mensajes de seguridad que indican que está ante una situación potencialmente peligrosa que, si no se evita, puede dar lugar a lesiones graves o la muerte. Las **PRECAUCIONES** son mensajes de seguridad que indican una situación de posible peligro que, si no se evita, puede dar lugar a lesiones menores o de poca gravedad. Las **PRECAUCIONES** y **ATENCIÓNES** identifican el peligro, indican cómo evitarlo y advierten de las posibles consecuencias si no se evita tal peligro. Los **AVISOS** son mensajes para evitar daños materiales. Las **NOTAS** contienen información adicional que le ayudará a llevar a cabo un proceso. **TRABAJE SIEMPRE DE FORMA SEGURA**

GUARDE ESTE MANUAL y todos los documentos para consultas futuras y acuda a ellos con frecuencia para garantizar la seguridad de la operación en todo momento. Advierta a todos los usuarios de que deben leer este manual antes de operar el producto.

Información del producto adicional disponible en línea:

- **Guía básica de técnicas para el uso del cabrestante**
 - Proporciona un conocimiento básico del cabrestante y enseña las técnicas fundamentales y apropiadas para su uso. Es un recurso valioso para ayudar a utilizar el cabrestante de forma segura y eficiente.
- **Especificaciones del producto y datos de rendimiento**
 - Proporciona especificaciones del producto, datos de rendimiento e información sobre piezas de repuesto.
- **Otra documentación del cabrestante específica para algunos productos**

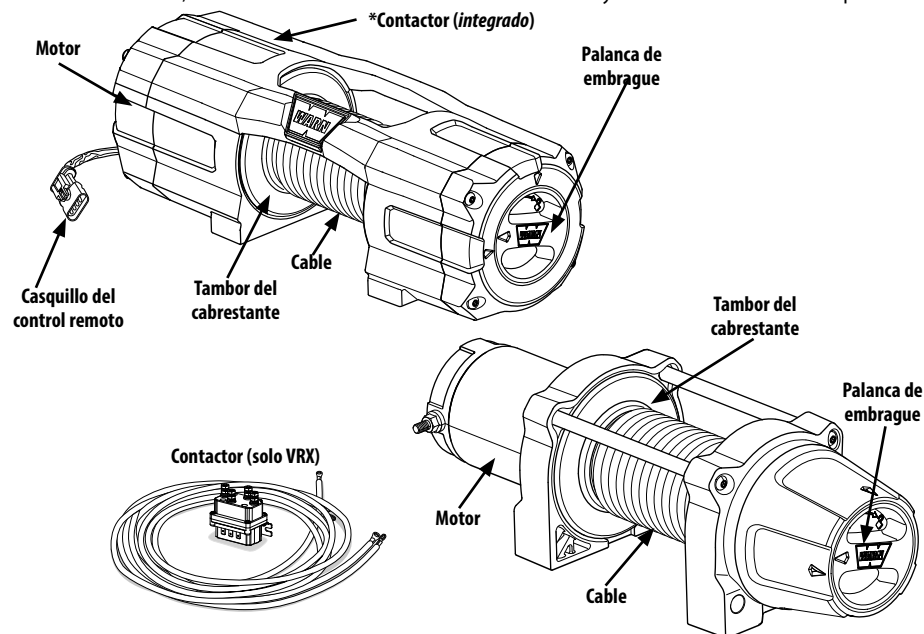
Visite www.warn.com a fin de consultar la documentación del producto adicional o de repuesto disponible para su visualización o descarga.

ÍNDICE:

Familiarícese con el cabrestante/familiarícese con los componentes	2-3
Montaje	4-5
Sistema eléctrico.....	6-8
Instrucciones de primer uso.....	9-12
Cuidado del cable sintético	13
Análisis final y mantenimiento	14
Garantía.....	15-16
EE. UU./Canadá	15
Internacional.....	16

FAMILIARÍCESE CON EL CABRESTANTE

Antes de comenzar, debe familiarizarse con el cabrestante WARN® y con cada uno de sus componentes:



Motor: El motor del cabrestante funciona con la batería del vehículo. El motor proporciona energía al mecanismo de engranajes, que gira el tambor del cabrestante y enrolla el cable del cabrestante.

Tambor del cabrestante: El tambor del chigre es el cilindro sobre el cual se alimenta la cuerda del chigre. El tambor es impulsado por el motor y el tren de transmisión. Su dirección se puede cambiar usando el control remoto.

Cable del cabrestante: El diámetro del cable del cabrestante y su longitud se determinan de acuerdo a la capacidad de carga del cabrestante y al diseño del mismo. Enrollado alrededor del tambor del cabrestante y a través de la guía, el cable del cabrestante se enlaza al final para aceptar el perno del enganche.

El cable sintético del cabrestante está hecho de un material de polietileno único con un peso molecular ultraelevado y ofrece una extraordinaria fuerza tensil. El cable se encuentra cubierto de un uretano de alta temperatura y equipado con un protector resistente a las temperaturas en la primera capa para una protección adicional. La alta flexibilidad y ligereza del cable sintético hacen que sea mucho más fácil la utilización de este en el campo.

Palanca de embrague: El embrague permite al usuario desactivar el tambor de enrollado desde el sistema de engranajes, lo que permite al tambor girar libremente (llamado "enrollado manual"). Al embragar se vuelve a «bloquear» el tambor del cabrestante en el tren de engranajes.

Contactor: El contactor transmite corriente al motor utilizando la energía eléctrica de la batería del vehículo. Esto permite que el usuario cambie la dirección de la rotación del tambor del cabrestante. ***El contactor de cabrestante AXON está integrado con el motor del malacate.**

Casquillo del control remoto (cabrestante AXON): El socket remoto es donde el operador conecta el control remoto alámbrico para controlar el cabrestante.

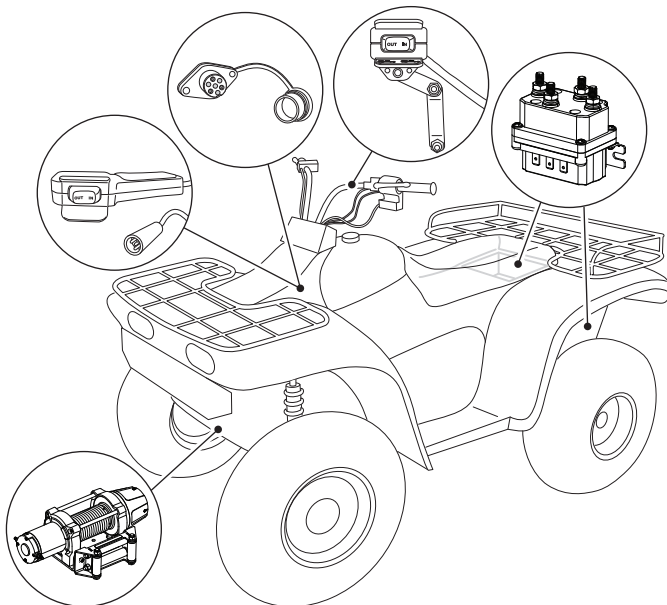
FAMILIARÍCESE CON LOS COMPONENTES



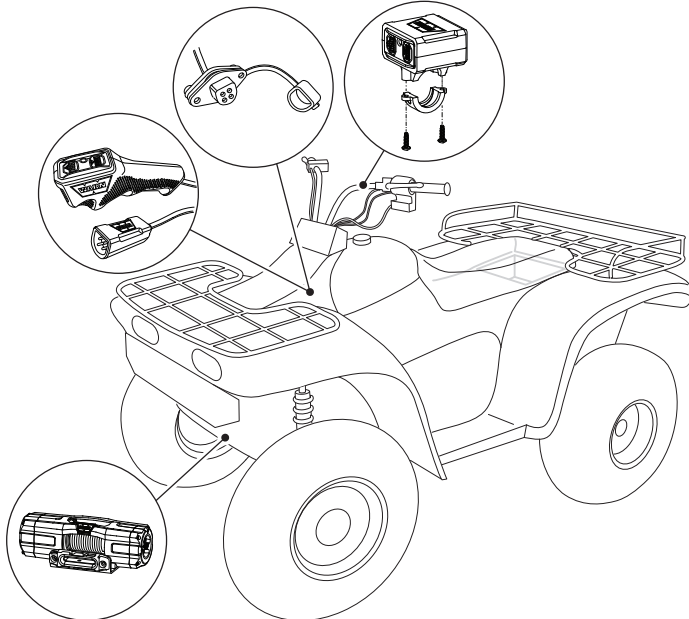
ANTES DE COMENZAR, dedique un tiempo a leer todas las instrucciones y la información de seguridad previamente a instalar y utilizar el cabrestante.

PASO 1: IDENTIFICAR LAS UBICACIONES DE MONTAJE

VRX



AXON



MONTAJE

PASO 2: MONTAR EL CABRESTANTE

ATENCIÓN Elija siempre una ubicación de montaje que sea lo suficientemente sólida para soportar la capacidad de carga máxima del cabrestante.

ATENCIÓN Ponga siempre la guía del cable con la etiqueta de advertencia visible en la parte superior.

ATENCIÓN Utilice siempre una métrica de 8,8 (grado SAE 5) o piezas mejores.

ATENCIÓN Nunca suelde los pernos de montaje.

ATENCIÓN No olvide revisar la longitud del tornillo para garantizar la adecuada seguridad.

ATENCIÓN Complete siempre la instalación del cabrestante y el acoplamiento del gancho antes de instalar el cableado.

MONTAJE DEL CABRESTANTE

VRX 25/35, AXON 35

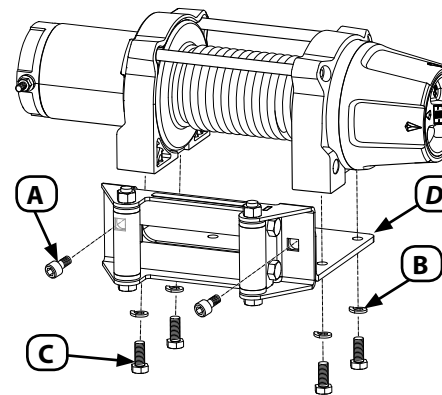


VRX 45, AXON 45/55

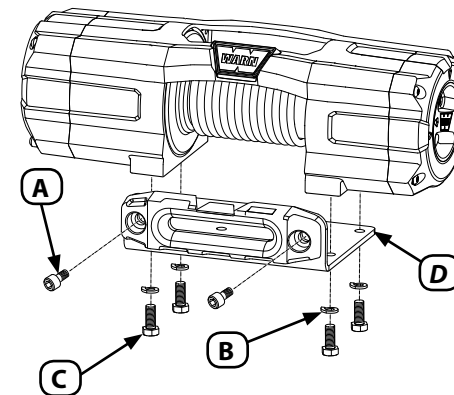


Artículo	Cantidad	Descripción
A	2	M10 x 15
B	4	M8
C	4	M8 x 1.25 x 25
D	1	SE VENDE POR SEPARADO

VRX



AXON



T 24,5 Nm (18 pies-libras)

PASO 3: MONTAR EL EQUIPO REMOTO

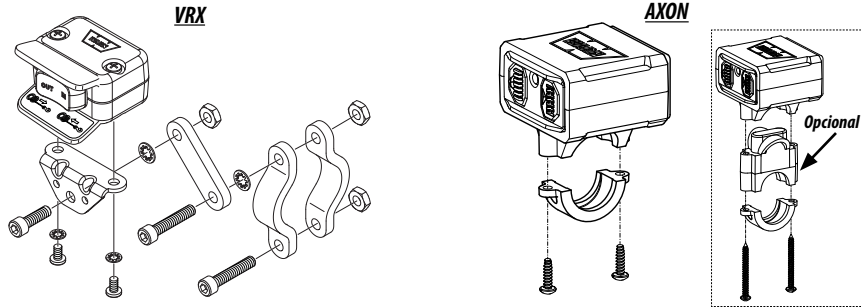
1. Desconecte los cables de la batería del vehículo, primero el terminal negativo. Todos los trabajos con cables eléctricos deben realizarse con la batería totalmente desconectada del cableado del vehículo.

⚠ ATENCIÓN PARA EVITAR LESIONES PERSONALES Y DANOS MATERIALES: sea precavido al mover o repositionar los controles del vehículo para no dificultar el funcionamiento seguro del mismo.

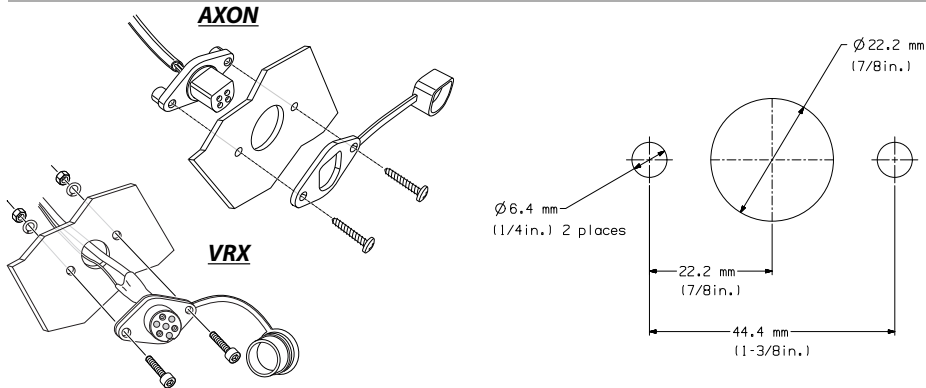
Seleccione una posición de montaje que proporcione espacio libre para todos los controles del vehículo.

Antes de envolver el cable del interruptor, asegúrese de que el manillar tenga plena libertad de movimiento.

MONTAJE DEL INTERRUPTOR DE MANILLAR

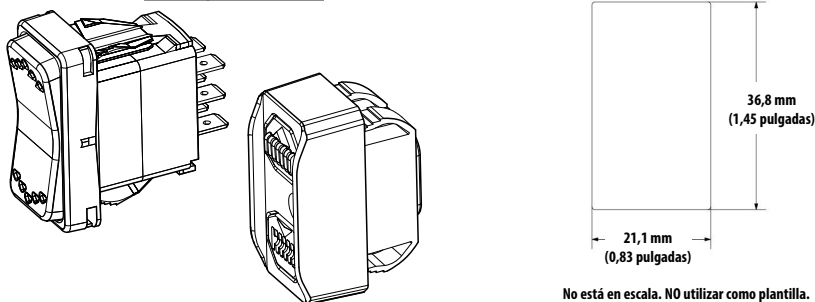


MONTAJE DEL CASQUILLO DEL CONTROL REMOTO



MONTAJE DEL INTERRUPTOR DEL TABLERO

VRX 45, AXON 45/55



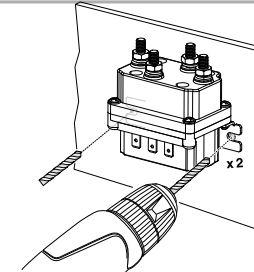
No está en escala. NO utilizar como plantilla.

PASO 4: MONTAR EL CONTACTOR (solo cabestrante VRX)

⚠ ATENCIÓN No monte nunca el contactor de modo que los terminales eléctricos estén en contacto con objetos metálicos.

⚠ ATENCIÓN Si va a perforar, verifique siempre que en el área no haya tuberías o tanques de combustible, tuberías de sistema de frenado, cables eléctricos, etc.

MONTAJE DEL CONTACTOR (SOLO CABESTRANTE VRX)



PASO 5: CABLEAR EL EQUIPO

⚠ ATENCIÓN Quítese las joyas y utilice protección para los ojos cuando establezca conexiones con la batería.

⚠ ATENCIÓN Coloque siempre las fundas de terminales suministradas en los cables y en los terminales.

⚠ ATENCIÓN Nunca pase los cables eléctricos por partes móviles o cerca de ellas.

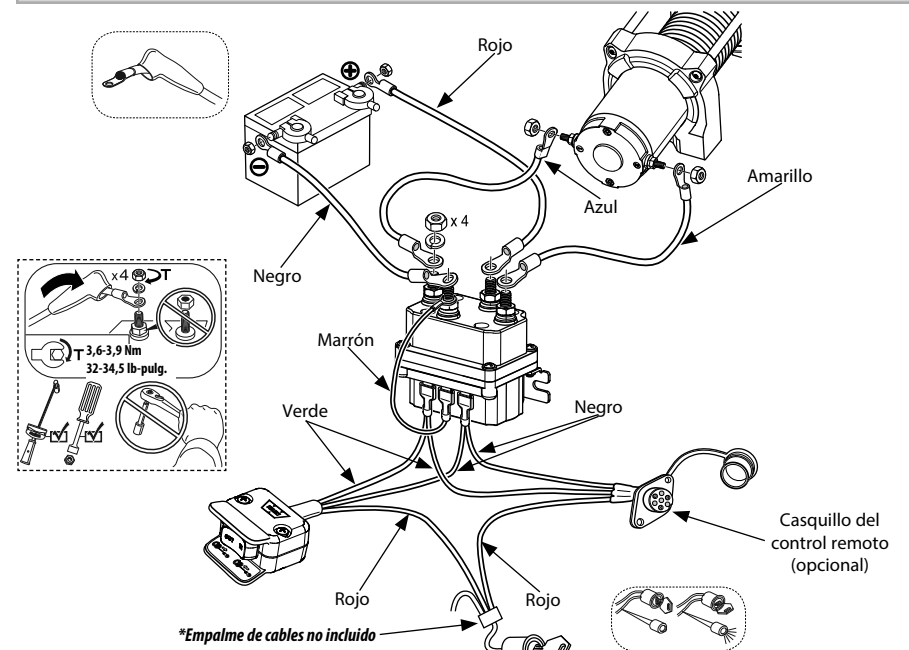
⚠ ATENCIÓN No pase nunca los cables eléctricos por bordes afilados.

⚠ ATENCIÓN Aísle y proteja siempre los cables y los terminales eléctricos que queden expuestos.

⚠ ATENCIÓN No pase nunca los cables eléctricos cerca de piezas que se calienten.

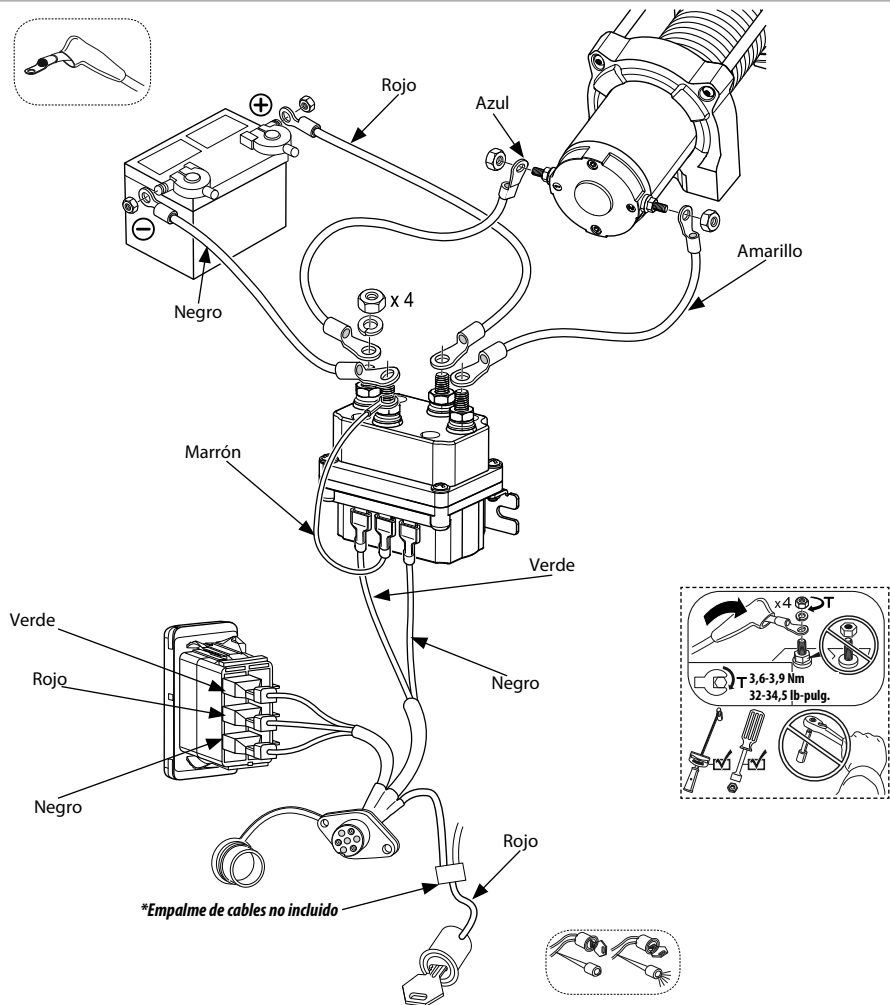
⚠ ATENCIÓN No pase nunca los cables eléctricos sobre los terminales de la batería.

VRX 25/35



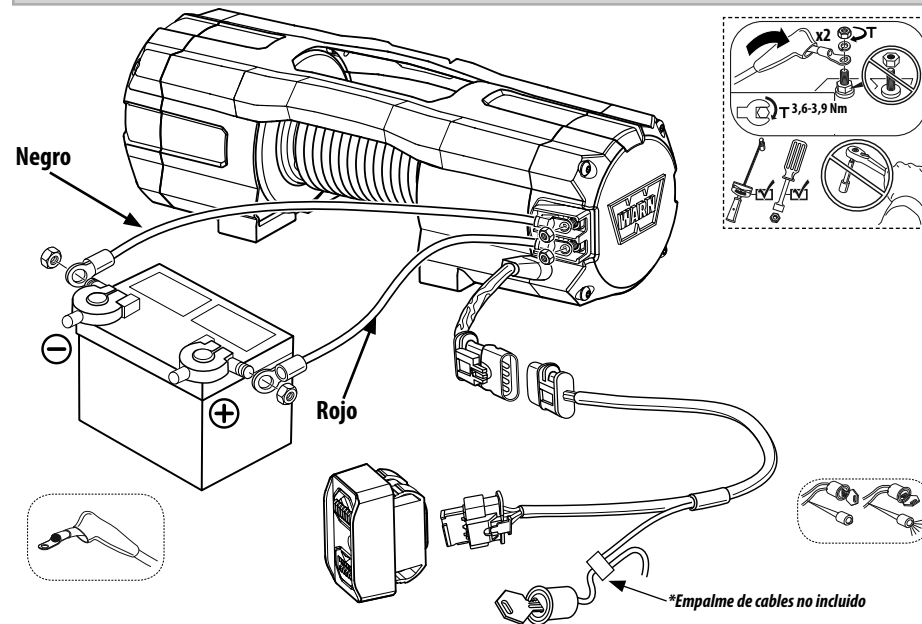
CONEXIONES ELÉCTRICAS

VRX 45

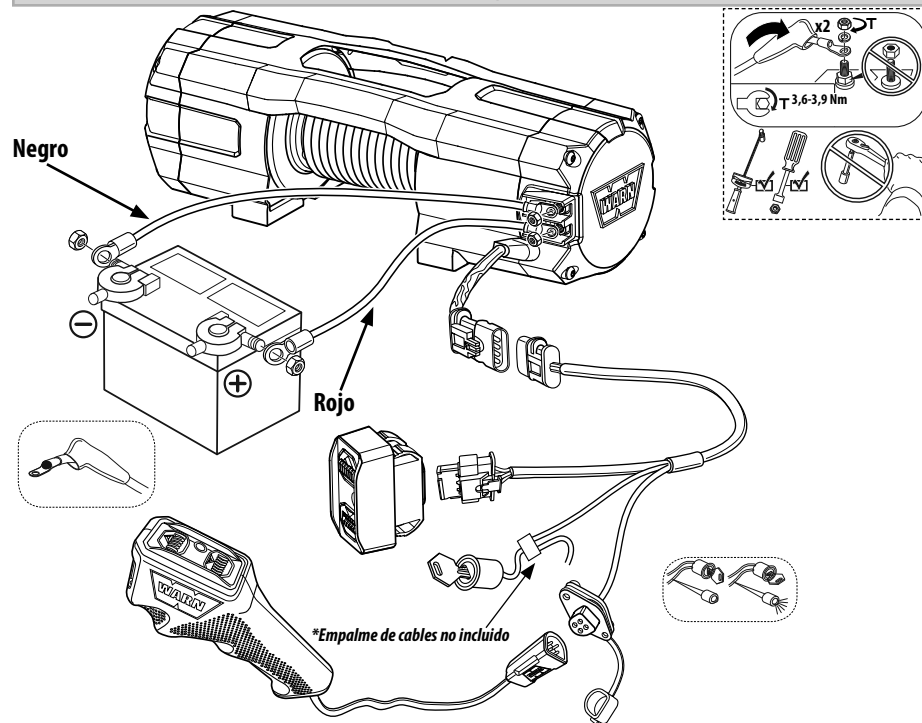


CONEXIONES ELÉCTRICAS

AXON 35



AXON 45/55



Paso 3: Comprobación del sistema

⚠ ATENCIÓN Conecte siempre el cable de alimentación rojo (+) SOLO con el terminal positivo (+) de la batería.

⚠ ATENCIÓN Conecte siempre el cable de alimentación en tierra negro (-) SOLO con el terminal negativo (-) de la batería.

Comprobación del sistema de funcionamiento:

1. Compruebe las sujeciones y asegúrese de que están bien apretadas y que el torque es el apropiado.
2. Verifique que todo el cableado eléctrico de todos los componentes es correcto y que todas las conexiones están bien apretadas.
3. Verifique que no hay cableado ni terminales expuestos/al aire o daños en el aislante.
4. Lea toda la «Guía básica de técnicas para el uso del cabrestante» antes de utilizar el cabrestante (www.warn.com).

Una vez realizada la comprobación del sistema, es posible proceder a las «Instrucciones del primer funcionamiento».

Paso 4: instrucciones de primer funcionamiento

En esta sección le mostraremos las instrucciones del primer funcionamiento para un uso del cabrestante básico efectivo. Para ver toda la operación y las técnicas de uso del cabrestante, consulte la «Guía básica de técnicas para el uso del cabrestante», que puede encontrar en línea en www.warn.com.

⚠ ATENCIÓN No use nunca el cabrestante como grúa o para suspender una carga.



⚠ ATENCIÓN No utilice nunca el cabrestante para levantar o desplazar personas.



Control remoto:

⚠ ATENCIÓN Mantenga siempre el cable del control remoto y el cable de alimentación alejados del tambor, del cable y del cordaje. Inspeccione el aparato para comprobar la posible existencia de grietas, pellizcos, cables pelados o conexiones sueltas. Los componentes dañados deberán reemplazarse antes de la operación.

⚠ ATENCIÓN No deje nunca el control remoto donde pueda activarse de forma accidental.

⚠ ATENCIÓN No deje nunca el control remoto del cabrestante conectado cuando se esté instalando o haciendo enrollado libre, maniobras o mantenimiento ni cuando no se esté utilizando el cabrestante.

El control remoto posibilita el control de la rotación hacia delante (desenrollado) y hacia atrás (enrollado) del tambor de enrollado.

No deje el control remoto conectado al cabrestante cuando no se esté utilizando. Si se deja el control remoto conectado, puede producirse una activación accidental o gastarse la batería.

Accionamiento del embrague:

⚠ ATENCIÓN Nunca embrague ni desembrague si el cabrestante está soportando una carga, si el cable está en tensión o si el tambor está en movimiento.

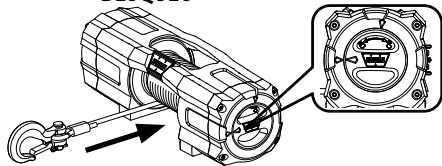
⚠ AVISO Compruebe siempre que se ha embragado o desembragado completamente al utilizar el cabrestante.

La palanca del embrague está ubicada en la cubierta del cabrestante, enfrente del motor, y controla la posición del embrague. Para evitar daños, engrane y desengrane siempre completamente la palanca del embrague.

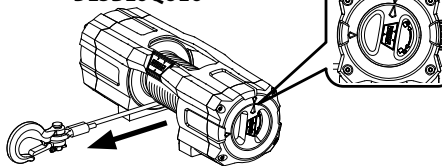
Cuando el embrague está activado, el sistema de engranajes se acopla al tambor del cabrestante y, en estas condiciones, puede transferirse movimiento desde el motor del cabrestante.

Cuando el embrague está desembragado el tambor se encuentra en posición de enrollado manual y el sistema de engranajes y el tambor del cable del cabrestante están desengranados, lo que permite que el tambor gire libremente.

EMBRAGADO/ BLOQUEO



DESEMBRAGADO/ DESBLOQUEO



Desenrollado

⚠ ATENCIÓN Nunca opere el cabrestante con menos de 5 vueltas de cuerda de cabrestante alrededor del tambor. La cuerda podría soltarse del tambor.

⚠ ATENCIÓN Mantenga siempre las manos alejadas del cable del cabrestante, del bucle del gancho, del gancho y de la abertura de la guía durante la instalación, el funcionamiento y en el enrollado y desenrollado.



⚠ ATENCIÓN Lleve siempre puestos guantes resistentes al manipular el cable del cabrestante.



Generalmente, el desenrollado manual es la forma más rápida y sencilla de sacar el cable del cabrestante. Antes de proceder al desenrollado manual, saque suficiente cable del cabrestante a fin de eliminar cualquier tensión sobre este. Quite el embrague. A continuación, desenrolle manualmente suficiente cable del cabrestante para la operación. Para obtener más información, consulte la «Guía básica de técnicas para el uso del cabrestante», que puede encontrar en línea en:

www.warn.com.

⚠ AVISO NO desenrolle el cable más de 9 metros (30 pies) sin dejar que el cabrestante se enfríe durante 20 minutos antes de volver a enrollar el cable. En su lugar, coloque el embrague en posición de enrollado libre y tire del cable a mano.

⚠ ATENCIÓN Utilice siempre la correa del gancho suministrada cuando vaya a enrollar o desenrollar el cable del cabrestante.



Enrollado con carga

⚠ ATENCIÓN No exceda nunca la capacidad nominal del cabrestante ni del cable del cabrestante.

⚠ ATENCIÓN Conozca siempre el límite de carga de trabajo (WLL) de su cuerda.

⚠ ATENCIÓN Nunca exceda el WLL de la cuerda o choque cargue esta cuerda.

Enrolle el cable del cabrestante uniformemente y bien tensado alrededor del tambor. Esto evita que las vueltas más externas del cable del cabrestante se hundan en las vueltas internas; asimismo, evita atascamientos y daños al cable del cabrestante.

Evite las sacudidas de la carga cuando esté enrollando; para ello, pulse el interruptor de control a fin de hacer entrar el cable flojo del cabrestante. Las sacudidas de la carga pueden hacer sobrepasar momentáneamente la capacidad nominal del cabrestante y del cable.

Enrollado sin carga

⚠ ATENCIÓN Nunca toque el cable del cabrestante ni el gancho si hay alguien cerca del interruptor de control, cuando el cable del cabrestante tenga carga o si el cabrestante está en funcionamiento.

Enrollado o desenrollado con un ayudante: Pida al ayudante que sujete la correa del gancho tensando el cable del cabrestante de forma constante y tanto como sea posible. Mientras mantiene la tensión, el ayudante debe caminar hacia el cabrestante mientras usted acciona el interruptor de control para enrollar el cable del cabrestante. Suelte el

interruptor cuando el gancho esté a una distancia mínima de 2 m (6 pies) de la abertura de la guía.

Luego, enrolle la parte final del cable para almacenarlo tal como se indica a continuación.

Enrollado o desenrollado solo: Disponga el cable del cabrestante de forma que no se doble ni se trabe al enrollarlo. Asegúrese de que el cable del cabrestante ya enrollado alrededor del tambor esté bien tenso y dispuesto en capas uniformes. Enrolle suficiente cable del cabrestante como para formar la siguiente capa completa en el tambor. Tense y enderece la capa. Repita este proceso hasta que el gancho quede a una distancia mínima de 2 m (6 pies) de la abertura de la guía.

Enrollado del resto del cable para el almacenamiento

Cuando el gancho se encuentre a 2 m (6 pies) de la guía, desconéctelo del punto de anclaje o carga. Sostenga la correa del gancho (incluida con el producto) y mantenga la tensión en el cable del cabrestante. Enrolle el cabrestante lentamente pulsando el botón de enrollado en el control remoto hasta que el gancho se encuentre a 1 metro (3 pies) de la guía.

Pare de enrollarlo y enganche el gancho al punto de anclaje apropiado en el vehículo.

⚠ AVISO No permita que el gancho toque la guía. Esto podría causar daños a la guía.

Una vez que el gancho esté bien acoplado al vehículo, enrolle el resto del cable suelto pulsando el interruptor de enrollado en el control remoto hasta que haya una holgura mínima en el cable.

Sobrecarga/sobrecalentamiento

⚠ ATENCIÓN Tenga siempre en cuenta que las superficies del motor, del tambor o del cable del cabrestante pueden estar calientes durante o después del uso del mismo.

El cabrestante está indicado para un servicio intermitente. Cuando el motor se aproxima a la velocidad crítica, se genera calor muy rápidamente, lo que puede ocasionar daños al motor.

El maniobrado con línea de doble cable (consulte la «Guía básica de técnicas para el uso del cabrestante») reduce el amperaje de consumo y el recalentamiento del motor. Esto permite un uso continuo más prolongado.

Limitador de carga (cabestrantes AXON)

⚠ ATENCIÓN Nunca embrague ni desembrague si el cabrestante está soportando una carga, si el cable está en tensión o si el tambor está en movimiento.

⚠ ATENCIÓN No toque nunca el cable del cabrestante ni el gancho mientras están bajo tensión o bajo carga.

INSTRUCCIONES DE PRIMER FUNCIONAMIENTO

Exceder la capacidad del cabestrante AXON provocará que se dispare el limitador de carga, lo que interrumpirá la alimentación al motor. Esto evita el sobrecalentamiento y un posible daño al motor. Al 50% de la capacidad de extracción, el indicador remoto se vuelve amarillo. Al 75% de la capacidad de extracción, el indicador remoto se vuelve naranja. Al 90% de la capacidad de extracción, el indicador remoto se vuelve rojo. Cuando se excede la capacidad de extracción, el limitador de carga hará que el indicador remoto parpadee en rojo y el motor AXON se detenga. Cuando esto ocurra, libere la carga desenrollando. Una vez se haya disparado el limitador de carga, no se podrá enrollar el cabestrante hasta que se restaure el limitador de carga desenrollando. No intente aplicar la misma carga si se ha disparado el limitador de carga, ya que esto podría dañar el cabestrante. Si el limitador de carga no se restablece, comuníquelo a un centro de servicio autorizado.

Si el limitador de carga continúa disparándose, proceda de la siguiente forma:

1. Reduzca el peso de la carga.
2. Aumente la distancia del punto de anclaje. La capacidad de tracción máxima se produce en la primera capa de cable del cabestrante. Al aumentar la distancia entre el cabestrante y el punto de anclaje, las capas del cable en el tambor disminuyen, lo que aumenta la potencia de arrastre.

ESTIRAMIENTO DEL CABLE DEL CABESTANTE

ATENCIÓN Realice siempre un estiramiento previo del cable y vuelva a enrollarlo con carga antes de usarlo.

ATENCIÓN Inspeccione siempre el cable del cabestrante, el gancho y las eslingas antes de poner el cabestrante en funcionamiento. Si el cable del cabestrante está pelado, retorcido o dañado, deberá reemplazarse de inmediato. Los componentes dañados deberán reemplazarse antes de la operación. Evite que las piezas resulten dañadas.

Estirar (tensar) el cable del cabestrante es fundamental para garantizar una larga vida útil del mismo. Al tensarse el cable del cabestrante se evitará que sus capas exteriores pellizquen o deformen las capas interiores.

Durante su primer uso, un cable del cabestrante nuevo debe enrollarse en el tambor bajo una carga de, por lo menos, 226 kg (500 lb).

Siga las siguientes instrucciones para tensar el cable del cabestrante correctamente en el tambor del cabestrante.

ATENCIÓN Lleve siempre puestos guantes resistentes al manipular el cable del cabestrante.

1. Escoja una superficie PLANA Y PAREJA que sea lo suficientemente amplia como para poder extender casi todo el cable del cabestrante.
2. Desembrague.

ATENCIÓN Mantenga siempre las manos alejadas del cable del cabestrante, del bucle del gancho, del gancho y de la abertura de la guía durante la instalación, el funcionamiento y en el enrollado y desenrollado.

3. Sujete la correa del gancho y desenrolle el cable del cabestrante del tambor hasta las últimas 5 vueltas.
4. Verifique que el cable del cabestrante se enrolle en la parte inferior del tambor, ya que, en caso contrario, el freno de carga automático no funcionará correctamente. **NOTA:** Si el cable del cabestrante se enrolla en la parte superior del tambor, habrá desenrollado el cabestrante en lugar de enrollarlo. Asegúrese de que lo está enrollando.

ATENCIÓN Siempre enrolle el cable del cabestrante en la parte inferior (lado de montaje) del tambor.



AVISO Para un funcionamiento adecuado del freno del cabestrante, el cable de este debe estar enrollado en el tambor en la dirección especificada. *Consulte la etiqueta de rotación del tambor situada en el cabestrante.

5. Una vez desenrollado el cable del cabestrante, active el embrague.

ATENCIÓN Verifique siempre que el seguro del gancho está cerrado.



ATENCIÓN Aplique la carga únicamente en el centro del gancho.

ATENCIÓN No aplique nunca una carga en la punta del gancho ni utilice un gancho que esté doblado o torcido.

6. Acople el extremo del cable con gancho a un punto de anclaje apropiado.

ATENCIÓN Retire siempre cualquier obstáculo que pueda interferir en la seguridad de la operación del cabestrante.

ATENCIÓN No enrolle nunca el cable del cabestrante sobre sí mismo. Utilice una cadena o correa en el anclaje.



ATENCIÓN Verifique siempre que el anclaje seleccionado soportará la carga y que la correa o la cadena no se deslizará.

7. Vuelva al vehículo.
8. Aleje el vehículo del punto de anclaje hasta que quede muy poco cable del cabestrante suelto.

INSTRUCCIONES DE PRIMER FUNCIONAMIENTO

9. Ponga el freno de mano, deje una velocidad puesta o en modo aparcado (vehículos automáticos) y apague el vehículo.

ATENCIÓN Manténgase siempre alejado del cable del cabestrante y de la carga, y no deje que otros se acerquen cuando el cabestrante esté en funcionamiento.

10. Salga del vehículo. **ADVERTENCIA.** No salga nunca del vehículo con una carga aplicada al cable. A una distancia de unos 2,44 m (8 pies) del cabestrante, enrolle el cable hasta que se haya enrollado todo el cable suelto en el tambor del cabestrante.

ATENCIÓN Nunca toque el cable del cabestrante ni el gancho si hay alguien cerca del interruptor de control, cuando el cable del cabestrante tenga carga o si el cabestrante está en funcionamiento.

ATENCIÓN Nunca deje que el cable del cabestrante se deslice por sus manos.

11. Usando guantes, mantenga la tensión en el cable del cabestrante con una mano; empuje cuidadosamente el cable del cabestrante hacia el lado del tambor al que esté enganchado, de forma que no haya espacios libres en el tambor entre cada vuelta.

12. Para una mayor seguridad, dos personas deberán realizar los pasos siguientes. Si trata de tensar el cable del cabestrante usted solo, verifique siempre que el freno de mano esté puesto, deje una velocidad puesta o estacione y apague el vehículo cada vez que lo abandone para inspeccionar el cable del cabestrante.

AVISO Procure enrollar cada vuelta parejamente para evitar daños en el cable.

ATENCIÓN No utilice nunca el control remoto cuando el vehículo no está a la vista del operador.

13. El conductor del vehículo debe operar el cabestrante.
14. Pida a su ayudante que se ubique en la parte lateral del vehículo, alejado del cable del cabestrante. **NOTA:** Su ayudante deberá indicarle si el cable del cabestrante se está enrollando correctamente a medida que observa cómo se desplaza por la guía mientras se enrolla el cable del cabestrante.
15. Arranque el vehículo y ponga la transmisión en punto muerto. A continuación, suelte el freno de mano mientras presiona moderadamente el pedal del freno.
16. Conecte el cable del cabestrante para empezar a enrollarlo.
17. Después de enrollar aproximadamente 2 m (6 pies) de cable, detenga el enrollado.

18. Lentamente, deje de presionar el pedal del freno para aplicar el freno de mano. Esto garantizará que no haya carga en el cable del cabestrante.
19. Ponga la transmisión en modo aparcado (vehículos automáticos) o ponga una velocidad con la palanca de cambios y apague el vehículo.
20. Salga del vehículo y asegúrese de que el cable del cabestrante esté enrollándose de forma pareja en el tambor del cabestrante y no hundiéndose en la capa inferior. Si el cable del cabestrante se está hundiendo, desenróllelo pulsando el botón de desenrollado en el control remoto y repita este paso desde el principio con más presión en el pedal del freno.
21. Cuando esté convencido de que el cable del cabestrante está enrollándose correctamente en el tambor, repita los pasos hasta que el vehículo se encuentre a 2 metros (6 pies) del anclaje del cabestrante. Cuando se encuentre a 2 m (6 pies), deje de presionar el pedal del freno poco a poco y aplique el freno de mano. Esto garantizará que no haya carga en el cable del cabestrante. A continuación, ponga la transmisión en aparcado (vehículos automáticos) o ponga una velocidad con la palanca de cambios y apague el vehículo.
22. Salga del vehículo. Desenganche el gancho del punto de anclaje.
23. Mientras que sostiene la correa del gancho (incluida en el producto), mantenga la tensión en el cable del cabestrante y enróllelo lentamente «pulsando» el botón de enrollado en el control remoto hasta que el gancho se encuentre a 1 m (3 pies) de la guía.

24. Pare de enrollarlo y enganche el gancho al punto de almacenamiento apropiado en el vehículo.
25. Una vez que el gancho esté bien acoplado al vehículo, enrolle el resto del cable suelto «pulsando» el botón de enrollado en el control remoto hasta que haya una holgura mínima en el cable.

AVISO No permita que el gancho toque la guía. Esto podría causar daños a la guía.

MANIOBRADO

Para ver los fundamentos del maniobrado, consulte la «Guía básica de técnicas para el uso del cabestrante», que puede encontrar en línea en www.warn.com.

Cuidado del cable sintético:

Limpieza:

- Utilice agua a baja presión para limpiar el cable sintético. No utilice productos químicos.
- No aplique directamente agua a presión (limpiadores a presión, lavadores de coches, etc.) entre el soporte y el reborde del tambor o la palanca del embrague.
- Utilice agua a baja presión y una bayeta o esponja enjabonada para limpiar el cabrestante.
- Evite utilizar productos químicos que puedan dañar el acabado.
- Limpie bien los residuos de sal en el cabrestante, tan pronto como sea posible, para reducir al mínimo la posibilidad de corrosión.

Inspección del cable:

⚠ ATENCIÓN Inspeccione siempre el cable del cabrestante, el gancho y las eslingas antes de poner el cabrestante en funcionamiento. Si el cable del cabrestante está pelado, retorcido o dañado, deberá reemplazarse de inmediato. Los componentes dañados deberán reemplazarse antes de la operación. Evite que las piezas resulten dañadas.

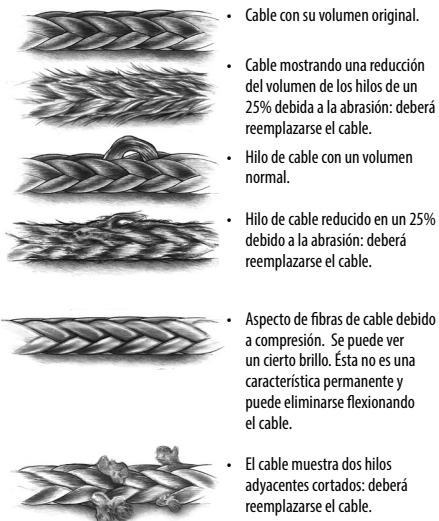
Cuando se utilice el cable por primera vez, los filamentos exteriores del cable se deshilarán rápidamente. Esto es resultado del rompimiento de estos filamentos, pero la aspereza de esta superficie en realidad protegerá las fibras que están debajo. Esta condición se estabilizará y no seguirá progresando. Si aumenta la aspereza de la superficie, esto significa que hay demasiada abrasión y que se está perdiendo resistencia.

Observe las fibras tanto interiores como exteriores. Si están desgastadas, esto significa que el cable se ha debilitado. Separe los hilos y vea si hay fibra convertida en polvo; de ser así, el cable ha sufrido un desgaste interior.

Las decoloraciones localizadas pueden representar la existencia de un ataque químico producido por sustancias como el aceite de engranaje o el ácido de una pila. En caso de duda, sustituya el cable.

El cable deberá reemplazarse en los siguientes casos:

- El volumen del cable se ha reducido en algún tramo del mismo en un 10 % o más debido a la abrasión.
- Dos o más hilos adyacentes están cortados.
- Se observan áreas planas o protuberancias que no se eliminan flexionando el cable.
- Se observa una excesiva cantidad de fibras fusionadas o fundidas. Cualquier área de este tipo estará rígida y el cable tendrá una apariencia glaseada.



Comprobar	Antes del primer uso	Después de cada uso	Cada 90 días
Lea detenidamente las Instrucciones, la Guía de operación o la Guía básica de técnicas del cabrestante para comprender el funcionamiento y la manipulación del cabrestante.	X		
Compruebe las sujeciones y asegúrese de que están bien apretadas y que el torque es el apropiado. Sustituya todos los elementos de fijación que estén dañados.	X		X
Verifique que el cableado de todos los componentes es correcto y que todas las conexiones están bien apretadas.	X		X
Verifique que no hay cableado ni terminales expuestos/al aire o daños en el aislante (desgaste/corte). Cubra las exposiciones con fundas para terminales. Repare o sustituya los cables eléctricos dañados.	X		X
Inspeccione el cable del cabrestante, el gancho, el manguito térmico y las eslingas. Si el cable del cabrestante está pelado, retorcido o dañado, deberá reemplazarse de inmediato. Los componentes dañados deberán reemplazarse antes de la operación.	X	X	X
Mantenga libres de contaminantes el cabrestante, el cable y el control de conmutación. Utilice un paño limpio o una toalla para quitar la suciedad y los restos.		X	
Si el cabrestante se ha sumergido en agua: Desenrolle el cable del cabrestante y vuelva a enrollar aproximadamente 9 m (30 pies). Siga el procedimiento recogido en «Estiramiento del cable del cabrestante» para secar completamente el cabrestante.	X	X	

Tómese su tiempo para comprender completamente el cabrestante y su funcionamiento revisando la «Guía básica de técnicas de uso del cabrestante» que puede encontrar en línea aquí: www.warn.com

Para más información o preguntas póngase en contacto con:

WARN INDUSTRIES, INC.
12900 S.E. Capps Road, Clackamas
OR (EE. UU.) 97015-8903, 1-503-722-1200,

Servicio de atención al cliente: 1-800-543-9276

Servicio localizador de distribuidor: 1-800-910-1122

O visite www.warn.com.



VRX AND AXON WARN® CABRESTANTE

GARANTÍA LIMITADA DE POR VIDA PARA LOS COMPONENTES MECÁNICOS
GARANTÍA LIMITADA DE TRES (3) AÑOS PARA LOS COMPONENTES ELÉCTRICOS

Warn Industries, Inc. (Warn) garantiza al comprador original que (a) los componentes mecánicos del WARN VRX and Axon Winch estarán libres de defectos en materiales y mano de obra durante la vida útil del cabrestante, y (b) la eléctrica componentes estarán libres de defectos en materiales y mano de obra durante un período de un (1) año a partir de la fecha original de compra. Esta garantía se aplica solamente al comprador original del cabrestante.

Los productos cubiertos por esta garantía:

- Cabrestante Producto VRX and Axon

Para obtener servicio de garantía:

- Llame Warn Servicio al Cliente al 1-800-543-9276 para obtener información reclamo de garantía.
- Prueba de su compra con una copia del recibo de compra fechado y factura original de venta mostrando claramente el producto WARN comprado.
- Haga la reclamación dentro del período de garantía.
- Adjunte su nombre, dirección, número de teléfono, la descripción del problema, y una copia de su recibo y factura original de venta para el producto.
- Devolver el producto, a portes pagados, a la Warn Departamento Industrias de Servicios en 13270 SE Faisán Ct, Milwaukie, Oregon 97222. También puede encontrar el Centro de Servicio más cercano Warn Autorizado visitando: www.warn.com/corporate/authservicecenters.shtml.

Warn, a su elección, reparará, reemplazará o reembolsará el precio de compra de un producto o componente defectuoso.

Los productos que no están cubiertos por esta garantía incluyen: la remoción o reinstalación del producto, la cuerda de alambre, cuerda sintética, y acabado del producto.

Esta garantía no se aplica si el producto ha sido dañado por accidente, abuso, mal uso, colisión, sobrecargar, modificación, uso indebido, instalación incorrecta, o servicio incorrecto. Esta garantía es nula si cualquier Warn número de serie o código de fecha ha sido eliminado o deteriorado. El uso comercial o industrial o solicitud, o cualquier aplicación de elevación del producto, anula la garantía.

LA GARANTÍA ESTABLECIDA ANTERIORMENTE ES LA ÚNICA GARANTÍA. NO HAY OTRAS GARANTÍAS, EXPRESA O IMPLÍCITA, INCLUYENDO PERO NO LIMITADO A LAS GARANTÍAS IMPLÍCITAS DE COMERCIALIZACIÓN O IDONEIDAD PARA UN PROPÓSITO PARTICULAR.

CUALQUIER GARANTÍA QUE LA LEY NO PUEDE SER EXCLUIDO ESTÁ LIMITADA EN DURACIÓN A UN (1) AÑO A PARTIR DE LA FECHA DE COMPRA AL POR MENOR ORIGINAL DEL PRODUCTO.

WARN NO SE HACE RESPONSABLE POR DAÑOS ESPECIALES, INDIRECTOS, ACCIDENTALES O CONSECUENTES (INCLUYENDO, PERO NO LIMITADO A, PÉRDIDA DE BENEFICIOS, TIEMPO DE INACTIVIDAD O PÉRDIDA DE USO) BAJO NINGUNA TEORÍA LEGAL, AUN CUANDO WARN ACONSEJARON DE LA POSIBILIDAD DE TALES DAÑOS.

Algunos estados no permiten la exclusión de garantías implícitas o la exclusión o limitación de responsabilidad por daños incidentales o consecuentes, o limitaciones en la duración de una garantía implícita, por lo que la limitación o exclusión anterior puede no aplicarse en su caso. Esta garantía le otorga derechos legales específicos. Usted también puede tener otros derechos que varían de un estado a otro.

Warn se reserva el derecho de cambiar el diseño del producto sin previo aviso. En situaciones en las que advierten ha cambiado el diseño del producto, WARN no tendrá ninguna obligación de actualizar o modificar productos fabricados previamente lo contrario.

No WARN distribuidor, agente o empleado está autorizado a realizar modificaciones, ampliaciones o adiciones a esta garantía.

Esta garantía es válida sólo en los EE.UU. y Canadá. Para garantía fuera de los EE.UU. y Canadá en contacto con su punto de venta local del minorista. Para encontrar el distribuidor más cercano a su domicilio, visite nuestro sitio web en <http://www.warn.com/corporate/dealerlocator.jsp> o póngase en contacto con nosotros al 1-503-722-1200 o 1-503-722-3000 (Fax).



WARN® Garantía Internacional Producto

Warn Industries, Inc. (WARN) garantiza que sus productos se comercializan fuera de Estados Unidos y Canadá para estar libre de defectos en materiales y mano de obra a través Advertir Distribuidores y Comerciantes locales autorizados.

Todas las consultas de garantía fuera de los Estados Unidos y Canadá por WARN® Los productos deben ser dirigidas a su punto local del minorista de venta.

Para encontrar el distribuidor más cercano a su domicilio, visite nuestro sitio web en <http://www.warn.com/corporate/dealerlocator.jsp> o póngase en contacto con nosotros en el 1-503-722-1200 o 1-503-722-3000 (Fax) .

Los detalles específicos de la garantía pueden variar en función de las leyes y reglamentos locales.

Esta garantía se aplica solamente al comprador original de los productos. Para obtener cualquier servicio de garantía, deberá proporcionar una prueba de compra, como una copia de su recibo de compra. Esta garantía no cubre el retiro o reinstalación del Producto. WARN será, a su elección, reparará, reemplazará o reembolsará el precio de compra de un producto o componente defectuoso, siempre que devuelva el producto o componente defectuoso durante el período de garantía, los gastos de transporte prepagados a un Centro de Servicio Autorizado. Adjunte su nombre, dirección, número de teléfono, una descripción del problema, y una copia de su recibo y factura original de venta que lleva el número de pieza WARN del producto defectuoso y la fecha de compra.

Esta garantía no se aplica si el producto ha sido dañado por accidente, abuso, mal uso, colisión, sobrecargar, modificación, uso indebido, instalación incorrecta, o servicio incorrecto. Esta garantía es nula si cualquier WARN número de serie o código de fecha del fabricante ha sido eliminado o deteriorado.

NO EXISTEN OTRAS GARANTÍAS, EXPRESA O IMPLÍCITA, INCLUYENDO PERO NO LIMITADO A LAS GARANTÍAS IMPLÍCITAS DE COMERCIALIZACIÓN O IDONEIDAD PARA UN PROPÓSITO PARTICULAR.

WARN NO SE HACE RESPONSABLE POR DAÑOS ESPECIALES, INDIRECTOS, ACCIDENTALES O INDIRECTOS (INCLUYENDO, SIN LIMITACIÓN, PÉRDIDA DE BENEFICIOS, TIEMPO DE INACTIVIDAD O PÉRDIDA DE USO) BAJO NINGUNA TEORÍA LEGAL, AUN CUANDO WARN FUE ADVERTIDO DE LA POSIBILIDAD DE TALES DAÑOS.

WARN se reserva el derecho de cambiar el diseño del producto sin previo aviso. En situaciones en las que WARN ha cambiado el diseño del producto, WARN no tendrá ninguna obligación de actualizar o modificar productos fabricados previamente. No WARN distribuidor, agente o empleado está autorizado a realizar modificaciones, extensiones o adiciones a esta garantía.

Las preguntas sobre la garantía y devoluciones de Productos para recibir servicio bajo garantía se deberán enviar a:

WARN INDUSTRIES, INC. 12900 S.E. Capps Road,
Clackamas, OR EE.UU. 97015-8903, 1-503-722-1200, FAX: 1-503-722-3000
Servicio de atención al cliente: 1-800-543-9276
Servicio de Localizador de comerciante : 1-800-910-1122
Desde fuera de EE.UU Fax: 1-503-722-3000
www.warn.com

VRX und AXON™ Windenbedienungsanleitung



Die vorliegende Anleitung enthält wichtige Sicherheitsinformationen und Anweisungen zur Installation und zum Betrieb Ihrer Winde. Es ist wichtig, **SÄMTLICHE** Anweisungen und Sicherheitsinformationen zu lesen, **BEVOR** Sie Ihre Winde installieren und bedienen.

In diesem Handbuch befinden sich mit **ACHTUNG** gekennzeichnete Warnhinweise, **VORSICHTSMASSNAHMEN**, anmerkungen **ZU BEACHTEN** und **HINWEISE**. Die Missachtung dieser Anweisungen kann zu schweren oder tödlichen Verletzungen führen. **ACHTUNGSHINWEISE** sind Sicherheitshinweise, die auf eine möglicherweise gefährliche Situation hinweisen, die zu schweren oder tödlichen Verletzungen führen kann, wenn sie nicht vermieden wird.

VORSICHTSMASSNAHMEN sind Sicherheitshinweise, die auf eine möglicherweise gefährliche Situation hinweisen, die zu leichten oder mäßigen Verletzungen führen kann, wenn sie nicht vermieden wird. **VORSICHTSMASSNAHMEN** und **ACHTUNGSHINWEISE** kennzeichnen die Gefahr, weisen auf Möglichkeiten zur Vermeidung der Gefahr hin, und geben Aufschluss über die möglichen Folgen, wenn diese Gefahr nicht vermieden wird. Die Signalwörter **ZU BEACHTEN** weist auf Anmerkungen mit Vorgehensweisen zur Vermeidung von Sachschäden hin. **HINWEISE** liefern zusätzliche Informationen, die Ihnen helfen, ein bestimmtes Verfahren durchzuführen.

BITTE UNBEDINGT ALLE SICHERHEITSMASSNAHMEN BEACHTEN!

HEBEN SIE DIESES HANDBUCH und sonstige Produktdokumentation auf, um künftig darin nachlesen zu können und einen dauerhaft sicheren Betrieb zu gewährleisten.

Weisen Sie alle Benutzer dieses Produkts darauf hin, dass dieses Handbuch vor dem Betrieb des Produkts zu lesen ist.

Zusätzliche online verfügbare Produktdokumentation:

- **Grundlegende Richtlinien zur Windentechnik**
 - Vermitteln ein grundlegendes Verständnis der Funktionsweise Ihrer Winde und ordnungsgemäßer Windentechnik. Sie sind eine wertvolle Ressource, die das sichere und effiziente Arbeiten mit Ihrer Winde unterstützt.
- **Produktspezifikationen und Leistungsdaten**
 - Liefern Produktspezifikationen, Leistungsdaten und Ersatzteilinformationen.
- **Sonstiges produktspezifisches Dokumentationsmaterial**

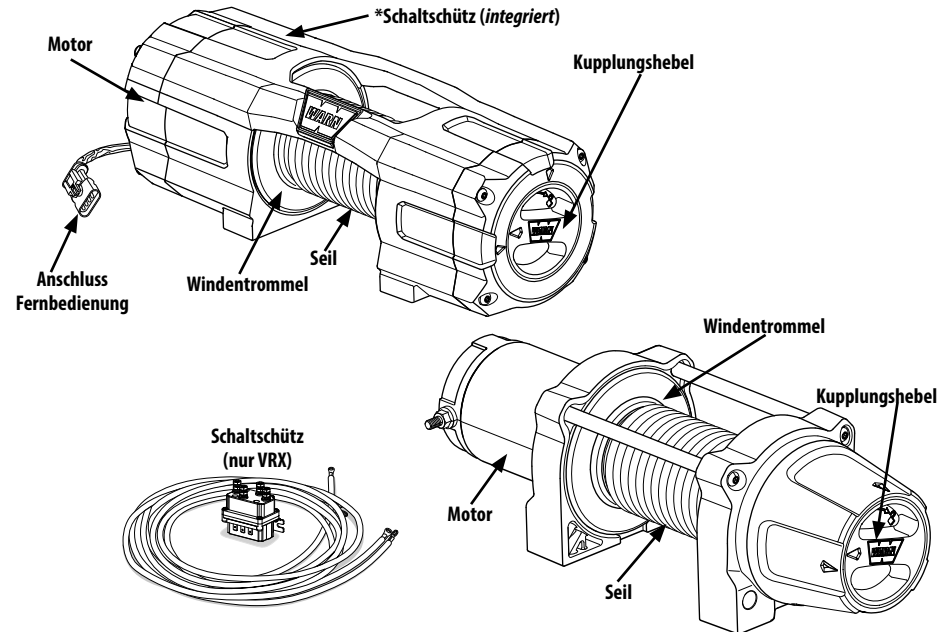
Rufen Sie zum Anzeigen/Herunterladen von zusätzlichem Informationsmaterial über Produkte oder Ersatzteile www.warn.com auf.

INHALTSVERZEICHNIS:

Bestandteile der Winde/ Mit den Komponenten vertraut werden	2-3
Montage.....	4-5
Elektrische Verbindungen.....	6-8
Anleitung für die erstmalige Inbetriebnahme.....	9-12
Hinweise zur richtigen Behandlung des Synthetikseils	13
Abschließende Prüfung und Wartung	14
Garantie.....	15

BESTANDTEILE DER WINDE

Bevor Sie beginnen müssen Sie sich mit der WARN®-Winde und ihren Komponenten vertraut machen.



Motor:

Der Motor der Winde wird mit der Batterie des Fahrzeugs betrieben. Der Motor überträgt die Kraft an das Getriebe, welches die Windentrommel dreht und das Windenseil betätigt.

Windentrommel:

Die Windentrommel ist der Zylinder, auf den das Seil der Winde zuführt. Die Trommel wird vom Motor und Antriebsstrang angetrieben. Die Richtung kann mit der Fernbedienung geändert werden.

Windenseil:

Durchmesser des Windenseils und Länge werden von Bauart und Last, auf welche die Winde ausgelegt ist, bestimmt. Das Windenseil wird um die Trommel gewickelt und tritt durch die Seilführung aus. Am Seilende befindet sich eine Schlaufe für den Lastösenbolzen des Windenhakens.

Das Synthetik-Windenseil besteht aus einem speziellen UHMW-Polyethylen-Material (ultra high molecular weight) und ist daher enorm reißfest. Es ist mit einem Hochtemperatururethan beschichtet und zum zusätzlichen Schutz auf der ersten Lage mit einer wärmebeständigen Hülle versehen. Aufgrund seiner hohen Flexibilität und seines geringen Gewichts ist das Synthetikseil im Feld deutlich leichter zu handhaben.

Kupplungshebel:

Die Kupplung ermöglicht es dem Bediener, die Windentrommel manuell vom Getriebe zu entkoppeln. Die Trommel kann sich dann frei drehen (auch als „Leerlauf“ bezeichnet). Durch Einkuppeln wird die Windentrommel wieder fest mit dem Getriebe verbunden.

Schaltschütz:

Der Schaltschütz leitet Strom in den Motor, wozu er Strom der Fahrzeugbatterie nutzt, und ermöglicht so dem Bediener, die Laufrichtung der Trommel zu ändern. *** Der AXON Windenschütz ist in den Windenmotor integriert.**

Anschluss Fernbedienung

(AXON Winde): In der Remote-Buchse steckt der Bediener die Kabelfernbedienung ein, um die Winde zu steuern.

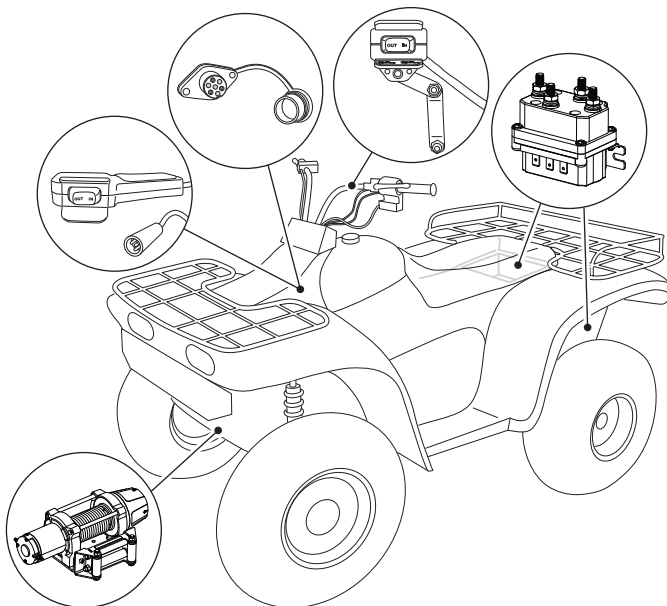
MIT DEN KOMPONENTEN VERTRAUT WERDEN



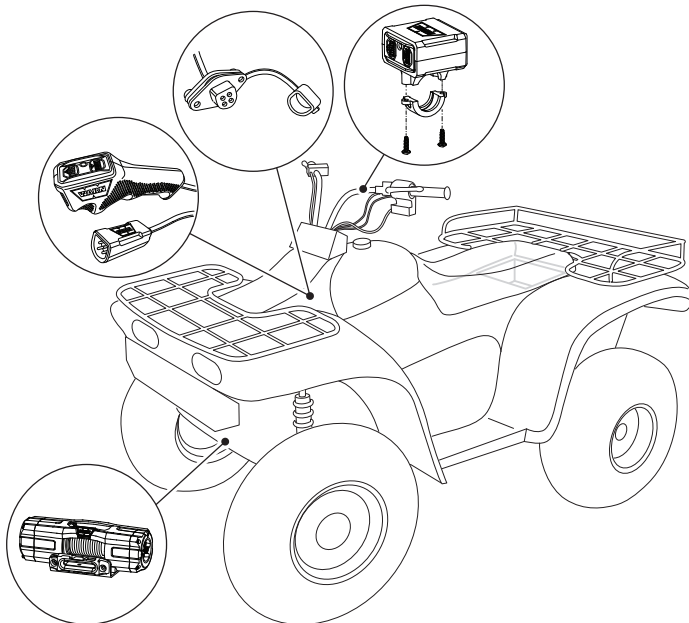
BEVOR SIE BEGINNEN: Lesen Sie sämtliche Anweisungen und Sicherheitsinformationen, bevor Sie Ihre Winde einbauen und in Betrieb nehmen.

SCHRITT 1: MONTAGESTELLE SUCHEN:

VRX



AXON



WARN INDUSTRIES

3

AUFBAU

SCHRITT 2: MONTIEREN DER WINDE

⚠ ACHTUNG Immer eine Befestigungsstelle wählen, die fest genug ist, um der maximalen Nennleistung der Winde standhalten zu können.

⚠ ACHTUNG Seilführung immer so positionieren, dass der Warnhinweis deutlich sichtbar nach oben zeigt.

⚠ ACHTUNG Immer Befestigungselemente verwenden, die mind. Festigkeitsklasse 8.8 (Grade 5) entsprechen.

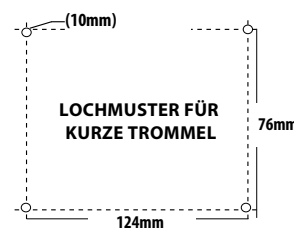
⚠ ACHTUNG Befestigungsschrauben niemals schweißen.

⚠ ACHTUNG Stets auf die vorgeschriebenen Schraubenlängen achten, damit das Gewinde richtig fassen kann.

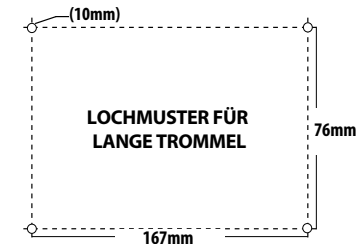
⚠ ACHTUNG Immer die Windeninstallation und Hakenbefestigung abschließen, bevor die Verkabelung installiert wird.

WINDENMONTAGE

VRX 25 / 35 - AXON 35

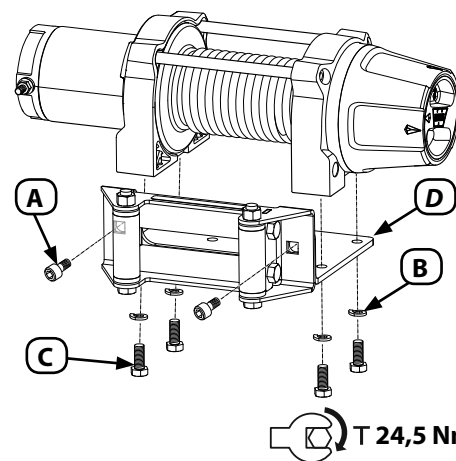


VRX 45 - AXON 45 / 55

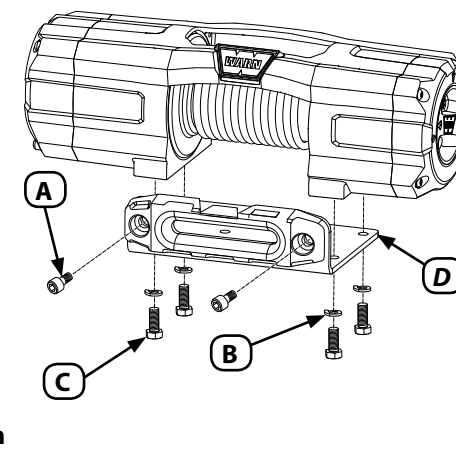


Element	Menge	Beschreibung
A	2	M10 x 15
B	4	M8
C	4	M8 x 1.25 x 25
D	1	SEPARAT ERHÄLTICH

VRX



AXON



WARN INDUSTRIES

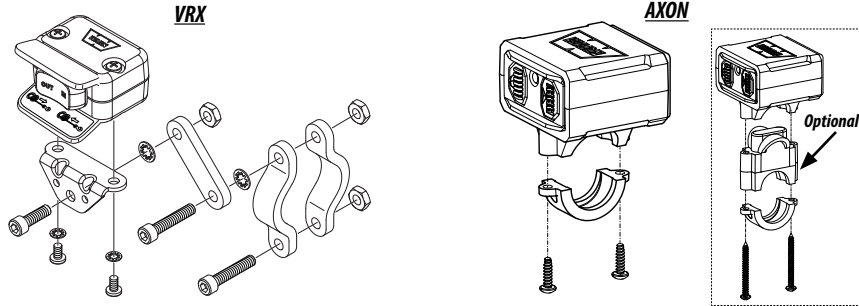
4

SCHRITT 3: MONTAGE DER FÜR DIE FERNBEDIENUNG BENÖTIGTEN AUSRÜSTUNG

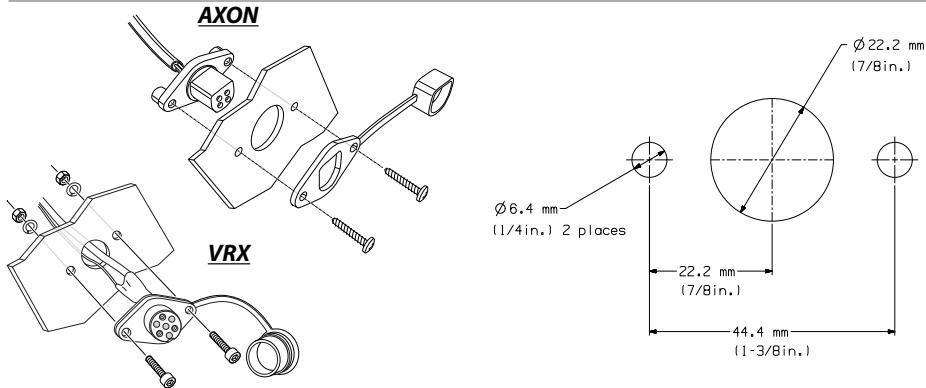
1. Trennen Sie die Batteriekabel des Fahrzeugs ab und beginnen Sie dabei mit dem negativen Anschluss. Sämtliche Arbeiten mit Elektrodrähten und -kabeln sind bei vollständig von der Fahrzeugverkabellung getrennter Batterie durchzuführen.

⚠️ ACHTUNG SO LASSEN SICH VERLETZUNGEN UND SACHSCHÄDEN VERMEIDEN: Gehen Sie bei der Verlegung oder erneuten Positionierung der Fahrzeugsteuerungen vorsichtig vor, damit der sichere Betrieb des Fahrzeugs gewährleistet ist. Wählen Sie eine Befestigungsstelle, bei der ausreichend Abstand für alle Fahrzeugsteuerungen eingehalten werden kann. Griffe sollten sich vollständig hin- und herbewegen lassen, bevor die Griffkabel befestigt werden.

MONTAGE DES GRIFFSTANGENSCHALTERS

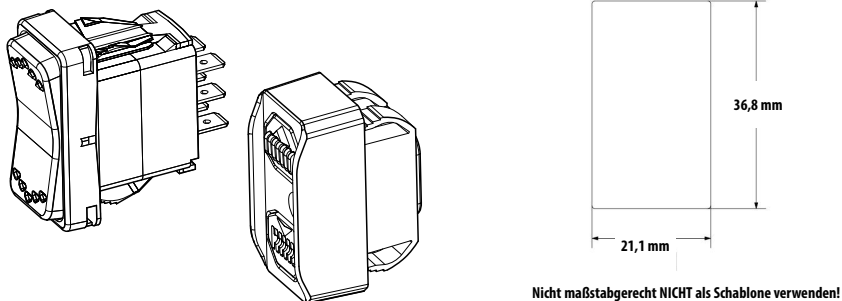


MONTAGE DES FERNANSCHLUSSES



MONTAGE DES ARMATURENBRETTSCHALTERS

VRX 45 - AXON 45 / 55



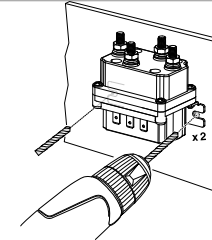
Nicht maßstabgerecht NICHT als Schablone verwenden!

SCHRITT 4: MONTAGE DES SCHLTSCHÜTZES (nur VRX Winde)

⚠️ ACHTUNG Niemals den Schaltschütz so montieren, dass Elektroanschlüsse Metallgegenstände berühren.

⚠️ ACHTUNG Immer sicherstellen, dass ein Bereich, in dem gebohrt werden soll, frei von Kraftstoffleitungen, Kraftstofftanks, Bremsleitungen, elektrischen Kabeln usw. ist.

MONTAGE DES SCHLTSCHÜTZES (nur VRX Winde)



SCHRITT 5: VERKABELUNG DER AUSRÜSTUNG

⚠️ ACHTUNG Beim Anschließen der Batterie immer Schmuck ablegen und Schutzbrille tragen.

⚠️ ACHTUNG Niemals Elektrokabel durch bewegliche Teile oder in der Nähe von beweglichen Teilen verlegen.

⚠️ ACHTUNG Freiliegende Kabel und elektrische Anschlüsse sind stets zu isolieren und schützen.

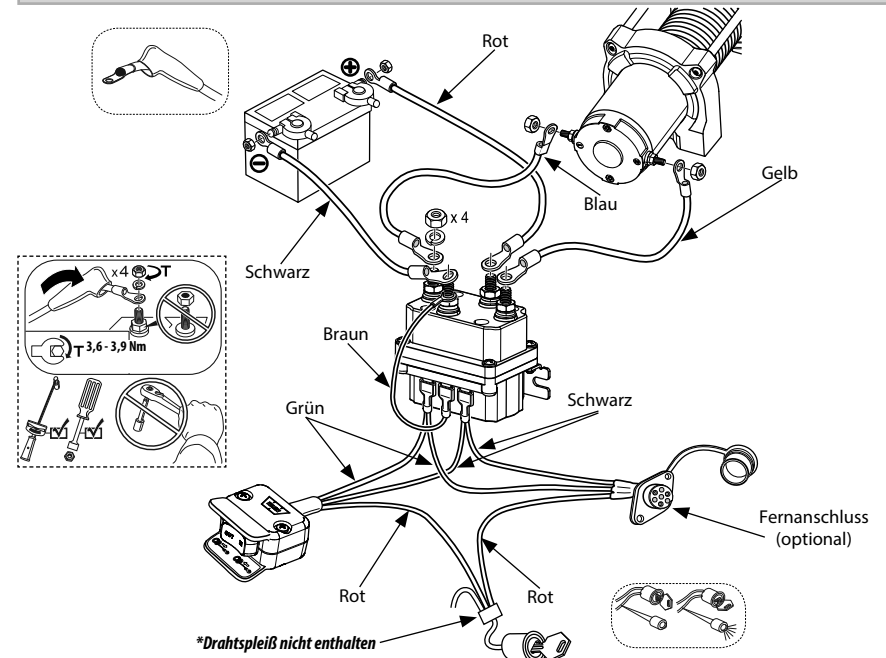
⚠️ ACHTUNG Immer die mitgelieferten Anschlusskappen auf die Kabel und Anschlüsse setzen.

⚠️ ACHTUNG Niemals Elektrokabel über scharfe Kanten verlegen.

⚠️ ACHTUNG Niemals Elektrokabel in der Nähe von Teilen verlegen, die heiß werden.

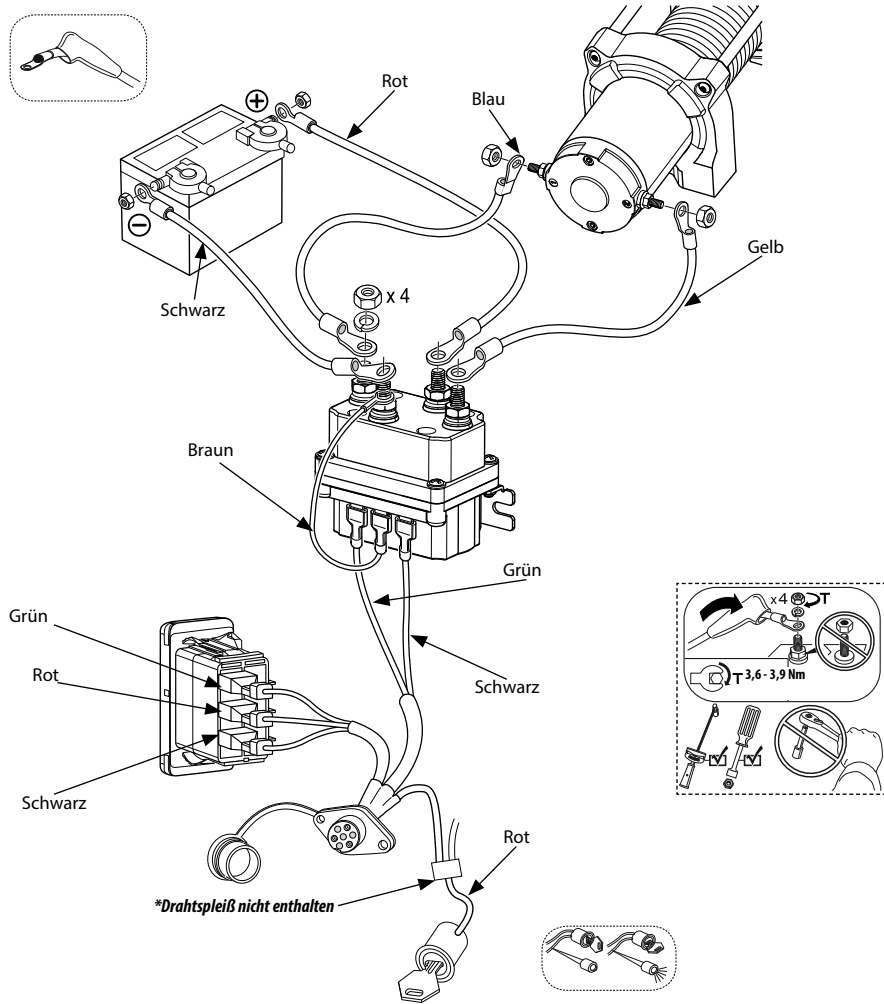
⚠️ ACHTUNG Niemals Elektrokabel über Batterieanschlüsse verlegen.

VRX 25 / 35



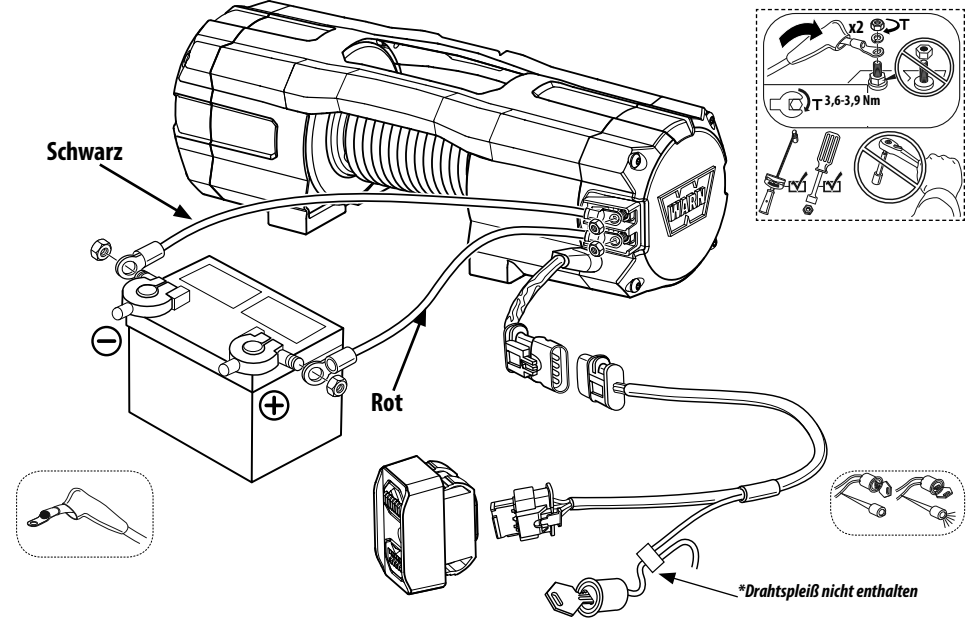
ELEKTRISCHE ANSCHLÜSSE

VRX 45

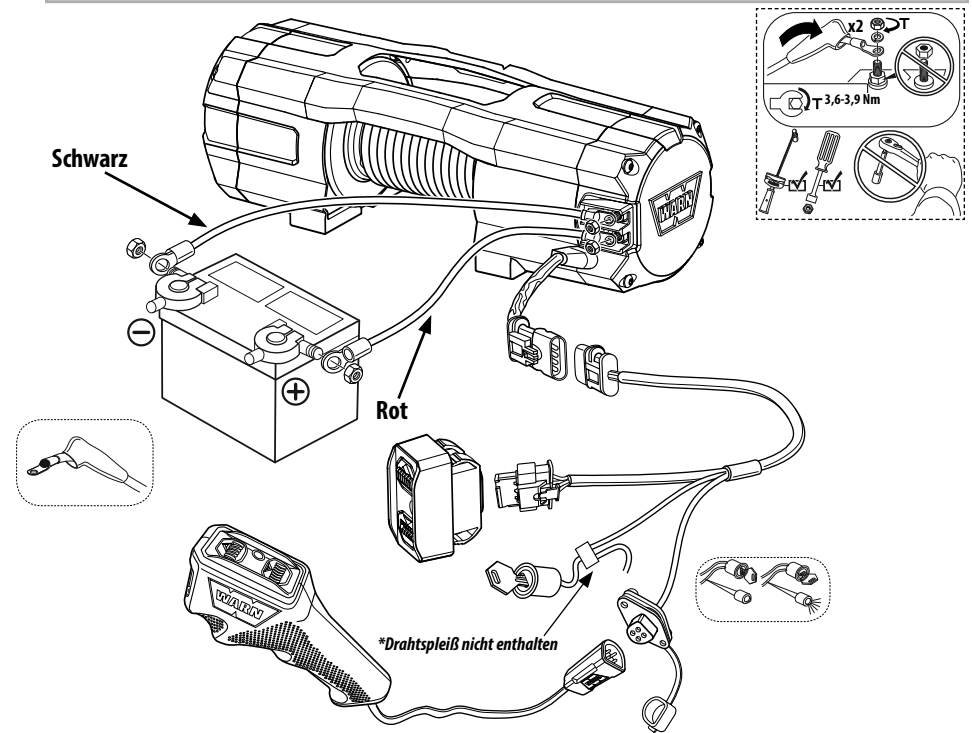


ELEKTRISCHE ANSCHLÜSSE

AXON 35



AXON 45/55



Schritt 3: Systemprüfung

ACHTUNG Immer das rote (+) Versorgungskabel NUR an den positiven (+) Anschluss der Batterie anschließen.

ACHTUNG Immer das schwarze (-) Erdungskabel NUR an den negativen (-) Anschluss der Batterie anschließen.

Vorgehensweise bei der Systemprüfung:

1. Prüfen Sie die Befestigungselemente und vergewissern Sie sich, dass sie fest und mit dem richtigen Drehmoment angezogen sind.
2. Vergewissern Sie sich, dass die Elektroverkabelung aller Komponenten korrekt ist, und stellen Sie sicher, dass alle Anschlusspunkte fest sitzen.
3. Vergewissern Sie sich, dass es keine offenen/nicht isolierten Kabel, Anschlussstecker oder Schäden an der Kabelisolierung gibt.
4. Lesen Sie die grundlegenden Richtlinien zur Windentechnik vollständig, bevor Sie Ihre Winde in Betrieb nehmen (www.warn.com).

Sobald Sie die Systemprüfung durchgeführt haben, können Sie sich der „Anleitung für den erstmaligen Betrieb“ zuwenden.

Schritt 4: Anleitung für den erstmaligen Betrieb

In diesem Abschnitt erhalten Sie eine Anleitung für den erstmaligen, grundlegenden effektiven Windenbetrieb. Um umfassendere Informationen über Windenbetrieb und -techniken zu erhalten, lesen Sie bitte die „Grundlegenden Richtlinien zur Windentechnik“, die Sie online unter <https://www.warn.com> finden.

ACHTUNG Winde niemals als Hebevorrichtung oder zum Anheben von Lasten verwenden.



ACHTUNG Winde niemals als Lift oder zur Beförderung von Personen verwenden.



Fernbedienung:

ACHTUNG Fernsteuerungs- und Stromversorgungskabel immer von der Trommel, dem Seil und den Befestigungsvorrichtungen fernhalten. Auf rissige, geknickte oder ausgefranzte Drähte oder lockere Anschlüsse achten. Beschädigte Komponenten sind vor der Inbetriebnahme auszuwechseln.

ACHTUNG Fernsteuerung immer entfernen, damit sie nicht versehentlich aktiviert werden kann.

ACHTUNG Fernsteuerung beim Installieren, Freilauf, Abspannen, bei Wartungs-/Reparaturarbeiten oder bei Nichtgebrauch der Winde niemals angeschlossenen lassen.

Mit der Fernbedienung kann die Drehrichtung der Seiltrommel auf „abspulen“ (vorwärts) oder „aufspulen“ (rückwärts) eingestellt werden.

Trennen Sie die Fernbedienung von der Winde, wenn diese nicht verwendet wird. Bleibt die Fernbedienung eingesteckt, so könnte sie versehentlich aktiviert werden. Außerdem führt dies zu Batterieverbrauch.

Kupplungsbetrieb:

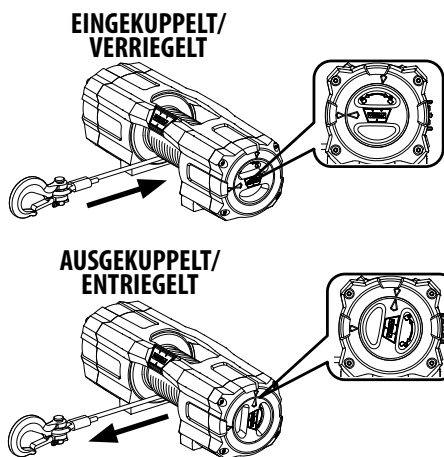
ACHTUNG Niemals die Kupplung bei belasteter Winde, gespanntem Windenseil oder sich bewegender Seiltrommel ein- oder ausrasten lassen.

ZU BEACHTEN Immer darauf achten, dass die Kupplung vollständig ein- oder ausgerastet ist, wenn die Winde in Betrieb ist.

Der Kupplungshebel befindet sich auf dem Windengehäuse auf der anderen Seite des Motors und steuert die Kupplungstätigkeit. Um Schäden zu vermeiden muss mit dem Hebel stets vollständig ein- oder ausgekuppelt werden.

Bei eingerasteter Kupplung ist das Getriebe mit der Windentrommel verbunden, und es kann Kraft vom Windenmotor übertragen werden.

Wenn die Kupplung ausgekuppelt ist, befindet sich die Trommel im Leerlauf (Seilfreilauf), und es besteht keine Verbindung zwischen dem Getriebe und der Windentrommel. Die Trommel dreht sich somit ungehindert.



Abspulen

ACHTUNG Betreiben Sie die Winde niemals mit weniger als 5 Wickelseilen um die Trommel herum. Seil könnte sich aus der Trommel lösen.

ACHTUNG Immer Kontakt mit dem Windenseil, der Öse, dem Haken und der Seilführung während der Installation, des Betriebs und beim Ab- und Aufspulen vermeiden.



ACHTUNG Bei der Handhabung des Windenseils sind stets für schwere Arbeiten geeignete Handschuhe zu tragen.



Beim Freilauf handelt es sich generell um die schnellste und einfachste Methode, das Windenseil abzuspielen. Bevor das Windenseil im Freilauf von der Winde gespult wird, sollte so viel Seil abgerollt werden, dass jegliche Spannung im Windenseil beseitigt wird. Kupplung lösen. Dann per Hand genug Seil für den Windenbetrieb abspulen. Weitere Informationen entnehmen Sie bitte den „Grundlegenden Richtlinien zur Windentechnik“ online unter: www.warn.com.

ZU BEACHTEN Spulen Sie NICHT mehr als 10 m Seil ab, ohne die Winde 20 Minuten abkühlen zu lassen, und spulen Sie erst danach das Seil wieder auf. Schalten Sie stattdessen die Kupplung in den Freilauf und ziehen Sie das Seil manuell ab.

ACHTUNG Beim Auf- und Abspulen des Windenseils immer den mitgelieferten Hakengurt verwenden.



Aufspulen unter Last

ACHTUNG Niemals die Nennkapazität der Winde bzw. des Windenseils überschreiten.

ACHTUNG Kenne immer die Arbeitslastgrenze (WLL) deines Seils.

ACHTUNG Überschreiten Sie niemals die WLL des Seils oder belasten Sie dieses Seil nicht.

Das Windenseil gleichmäßig einziehen und fest um die Trommel legen. Dadurch wird verhindert, dass die äußeren Wickelschichten die darunter liegenden Schichten und Wicklungen und somit das Windenseil beschädigen.

Vermeiden Sie Stoßbelastungen beim Spulen, indem Sie regelmäßig den Steuerschalter verwenden, um lockere Seilabschnitte einzuziehen. Stoßbelastungen können die Nennwerte der Winde und des Seils kurzzeitig weit überschreiten.

Aufspulen ohne Last

ACHTUNG Niemals während des Windenbetriebs, wenn jemand anders die Steuerung der Winde übernommen hat oder wenn das Windenseil belastet ist, Windenseil oder Haken berühren.

Spulen mit Hilfspersonal: Lassen Sie das Hilfspersonal den Hakengurt halten, wobei diese Person das Windenseil ohne Unterbrechung und möglichst stark spannt. Unter Aufrechterhaltung der Spannung sollte diese Person nun auf die Winde zugehen, während Sie das Seil unter Verwendung des Steuerschalters aufspulen. Schalter loslassen, wenn der Haken mindestens 2 m von der Führungsöffnung entfernt ist.

Das restliche Seil nun zu Lagerzwecken wie folgt aufspulen.

Alleine spulen: Legen Sie das Windenseil so, dass es beim Aufspulen weder geknickt wird oder hängen bleiben kann. Vergewissern Sie sich, dass die Seillagen um die Trommel fest und gleichmäßig angeordnet sind. So viel Seil aufspulen, bis die nächste Lage um die Trommel voll ist. Seillage festziehen und gerade ausrichten. Wiederholen Sie diesen Vorgang, bis der Haken mindestens 2 m von der Führungsöffnung entfernt ist.

Aufspulen des Restseils zu Lagerzwecken

Den Haken vom Anker oder der Last lösen, wenn er sich 2 m von der Führung entfernt befindet. Den mitgelieferten Hakengurt festhalten und sicherstellen, dass das Windenseil weiterhin unter Spannung steht. Wickeln Sie das Seil langsam durch mehrfaches kurzes Einschalten der Wickelfunktion an der Fernsteuerung so weit auf, dass der Haken weniger als 1 m von der Seilführung entfernt ist.

Windenvorgang beenden und den Haken an einem geeigneten Ankerpunkt am Fahrzeug befestigen.

ZU BEACHTEN Nicht den Haken in die Seilführung ziehen. Dadurch könnte die Seilführung beschädigt werden.

Sobald der Haken an einer geeigneten Stelle am Fahrzeug befestigt ist, wickeln Sie das Windenseil durch mehrfaches kurzes Einschalten der Winde an der Fernsteuerung weiter auf, bis das Seil fast gespannt ist.

Überlastung/Überhitzung

ACHTUNG Während des Betriebs und nach Verwendung der Winde immer auf möglicherweise heiße Flächen in der Nähe des Motors, der Trommel oder des Seils achten.

Dieses Windenmodell ist für den Aussetzbetrieb vorgesehen. Sinkt die Drehzahl und besteht somit die Gefahr, dass der Motor bald stehen bleibt, kann sich die Winde sehr schnell erhitzen und den Motor beschädigen.

Bei Verwendung einer Umlenkrolle (siehe Richtlinien zur Windentechnik) werden Stromaufnahme und Hitzebildung im Motor

ANLEITUNG FÜR DEN ERSTMALIGEN BETRIEB

reduziert. Dadurch verlängert sich die mögliche Einsatzzeit der Winde.

Lastbegrenzer (AXON Winden)

ACHTUNG Niemals die Kupplung bei belasteter Winde, gespanntem Windenseil oder sich bewegender Seiltrommel ein- oder austrassen lassen.

ACHTUNG Niemals Windenseil oder Haken berühren, wenn diese unter Spannung stehen.

Bei Überschreiten der Kapazität der AXON Winde spricht der Lastbegrenzer an, der die Stromversorgung des Motors unterbricht. Dadurch werden ein Überhitzen und ein möglicher Schaden am Motor verhindert. Bei 50% der Zugkraft wird die Fernanzeige gelb. Bei 75% der Zugkraft wird die Fernanzeige orange. Bei 90% der Zugkraft wird die Fernanzeige rot. Wenn die Zugkraft überschritten wird, blinkt der Begrenzer rot und der AXON-Motor stoppt. Tritt dieser Zustand auf, so geben Sie die Last frei, indem Sie abspulen. Sobald der Lastbegrenzer angesprochen hat, kann die Winde erst dann wieder aufgespult werden, wenn der Lastbegrenzer durch Abspulen zurückgesetzt ist. Versuchen Sie nicht, dieselbe Last aufzunehmen, wenn der Lastbegrenzer angesprochen hat, da dadurch die Winde beschädigt werden kann. Falls sich der Lastbegrenzer nicht zurücksetzt, wenden Sie sich an eine autorisierte Servicestelle.

Falls der Lastbegrenzer nicht anspricht, gehen Sie wie folgt vor:

1. Verringern Sie das Gewicht der Last.
2. Erhöhen Sie die Entfernung zum Ankerpunkt. Die maximale Zugkapazität tritt bei der ersten Seillage auf der Trommel auf. Durch Vergrößern des Abstands zwischen Winde und Ankerpunkt verringern sich die Windenseillagen auf der Trommel, wobei sich die Zugkraft erhöht.

SPANNEN DES WINDENSEILS

ACHTUNG Immer vor Inbetriebnahme das Seil spannen und unter Last neu aufspulen.

ACHTUNG Windenseil, Haken und Schlingen vor Inbetriebnahme der Winde immer prüfen. Ausgefranzte, geknickte oder beschädigte Windenseile müssen umgehend ausgetauscht werden. Beschädigte Komponenten sind vor der Inbetriebnahme auszuwechseln. Alle Einzelteile sind vor Schäden zu schützen.

Das korrekte Spannen (Straffen) des Windenseils trägt entscheidend dazu bei, dass es lange nutzbar bleibt. Durch das Anspannen des Windenseils wird verhindert, dass die inneren Lagen des Windenseils durch die äußeren Wicklungen eingeklemmt und verformt werden.

Beim ersten Gebrauch muss ein neues Windenseil mit einer Last von mindestens 226 kg auf die Trommel gespult werden.

Folgende Anweisungen beachten, damit das Windenseil korrekt auf die Windentrommel aufgespult wird.

ACHTUNG Immer schwere Handschuhe bei der Handhabung des Windenseils tragen.

1. Wählen Sie einen FLACHEN UND EBENEN Standort mit ausreichend Platz, um das Windenseil fast in ganzer Länge auszulegen.

2. Kuppeln Sie aus.

ACHTUNG Immer Kontakt mit dem Windenseil, der Ose, dem Haken und der Seilführung während der Installation, des Betriebs und beim Ab- und Aufspulen vermeiden.

3. Windenseil am Hakengurt bis auf 5 Trommelumwindungen abspulen.
4. Vergewissern Sie sich, dass das Windenseil auf der Unterseite der Trommel abläuft. Anderenfalls kann die automatische Lastbremse nicht ordnungsgemäß funktionieren. **HINWEIS:** Wenn das Windenseil auf der Oberseite abläuft, wurde der Spulvorgang der Winde in die falsche Richtung aktiviert. Vergewissern Sie sich, dass die Richtung korrekt eingestellt ist.

ACHTUNG Das Seil immer über die Unterseite (Montageseite) der Trommel führen.



ZU BEACHTEN Damit die Windenbremse richtig funktioniert, muss das Windenseil in die angegebene Richtung auf die Trommel gespult werden. *Beachten Sie den Aufkleber zur Trommeldrehung an der Winde.

5. Kupplung einlegen, wenn Windenseil abgespult ist.

ACHTUNG Immer sicherstellen, dass der Riegel geschlossen ist.



ACHTUNG Immer nur die Hakenmitte belasten.

ACHTUNG Hakenspitze niemals belasten. Niemals einen verbogenen oder verdrehten Haken verwenden.

6. Das Hakenende des Seils an einem geeigneten Verankerungspunkt befestigen.

ACHTUNG Hindernisse, die einen sicheren Betrieb der Winde beeinträchtigen könnten, sind immer zu entfernen.

ACHTUNG Niemals das Windenseil übereinander aufspulen. Verwenden Sie eine Kette oder einen Riemen am Anker.



ANLEITUNG FÜR DEN ERSTMALIGEN BETRIEB

ACHTUNG Sicherstellen, dass der gewählte Anker der Last standhalten kann, und dass weder der Riemen noch die Kette verrutschen können.

7. Kehren Sie zu Ihrem Fahrzeug zurück.
8. Fahren Sie das Fahrzeug weg vom Verankerungspunkt, bis das Windenseil ganz wenig durchhängt.
9. Feststellbremse anziehen, einen Gang einlegen bzw. bei Automatikgetriebe die Parkstellung wählen und den Motor abstellen.

ACHTUNG Immer Abstand zum Windenseil und zur Last einhalten und andere Personen während des Windenbetriebs fernhalten.

10. Aus dem Fahrzeug aussteigen. **ACHTUNG! Steigen Sie niemals aus dem Fahrzeug aus, während das Seil unter Belastung steht.** Halten Sie ungefähr 2,5 m Abstand von der Winde und spulen Sie das Seil auf die Winde auf, bis es gespannt ist.

ACHTUNG Niemals während des Windenbetriebs, wenn jemand anders die Steuerung der Winde übernommen hat oder wenn das Windenseil belastet ist, Windenseil oder Haken berühren.

ACHTUNG Windenseil niemals durch die Hände gleiten lassen.

11. Handschuhe tragen und Windenseil mit einer Hand unter Spannung halten. Windenseil vorsichtig in Richtung der Trommelseite drücken, an der es befestigt ist, damit zwischen den einzelnen Wicklungen keine Abstände bleiben.
12. Aus Sicherheitsgründen sollten die folgenden Schritte immer von zwei Personen ausgeführt werden. Falls Sie beabsichtigen, das Windenseil ohne die Unterstützung einer weiteren Person unter Spannung zu setzen, müssen Sie unbedingt darauf achten, dass die Feststellbremse angezogen ist, ein Gang eingelegt oder das Getriebe in die Parkposition gestellt ist und der Fahrzeugmotor abgeschaltet ist, wann immer Sie zum Überprüfen des Windenseils aus dem Fahrzeug steigen.
ZU BEACHTEN Achten Sie darauf, dass jede Lage sauber aufgewickelt wird, um eine Beschädigung des Seils zu verhindern.

ACHTUNG Verwenden Sie nie die Fernsteuerung, wenn das Fahrzeug nicht in Sichtweite des Betreibers ist.

13. Der Fahrer muss die Winde betätigen.
14. Weisen Sie Ihren Helfer an, sich neben das Fahrzeug zu stellen und Abstand zum Seil zu halten. **HINWEIS:** Ihr Helfer sollte das

Windenseil beobachten und Ihnen durch Signale mitteilen, dass es korrekt über die Seilführung aufgewickelt wird.

15. Fahrzeug starten und Gang herausnehmen. Dann Feststellbremse lösen und dabei mitmäßigem Druck auf die Bremse treten.
16. Strom der Seilwinde einschalten und mit dem Aufwinden beginnen.
17. Wickelvorgang nach ungefähr 2 m stoppen.
18. Nehmen Sie langsam den Fuß von der Bremse und ziehen Sie dann die Feststellbremse an. Dadurch wird sichergestellt, dass das Windenseil nicht unter Belastung steht.
19. Dann das Getriebe wieder in die Parkposition schalten oder einen Gang einlegen und den Fahrzeugmotor abschalten.
20. Aus dem Fahrzeug aussteigen und überprüfen, ob das Windenseil gleichmäßig auf die Windentrommel aufgewickelt und nicht in einer darunter liegenden Lage eingeklemmt wird. Wenn das Windenseil sich zu verklemmen droht, wieder mit der Strom-Taste auf der Fernbedienung abspulen und den Vorgang wiederholen. Diesmal jedoch etwas fester auf die Bremse treten.
21. Wenn Sie sich davon überzeugt haben, dass das Windenseil korrekt auf die Windentrommel aufgewickelt wird, Schritte so lange wiederholen, bis sich das Fahrzeug weniger als 2 m vom Windenankerpunkt entfernt befindet. Sobald der Abstand weniger als 2 m beträgt, nehmen Sie langsam den Fuß von der Bremse und ziehen dann die Feststellbremse an. Dadurch wird sichergestellt, dass das Windenseil nicht unter Belastung steht. Das Getriebe dann wieder in die Parkposition schalten oder einen Gang einlegen und den Fahrzeugmotor abschalten.
22. Aus dem Fahrzeug aussteigen. Den Haken vom Ankerpunkt lösen.
23. Halten Sie den mitgelieferten Hakengurt fest und stellen Sie sicher, dass das Windenseil weiterhin unter Spannung steht. Wickeln Sie das Seil langsam durch mehrfaches kurzes Einschalten der Wickelfunktion an der Fernbedienung so weit auf, dass der Haken weniger als 1 m von der Seilführung entfernt ist.
24. Windenvorgang beenden und den Haken an einem geeigneten Haltepunkt am Fahrzeug befestigen.

ANLEITUNG FÜR DEN ERSTMALIGEN BETRIEB

25. Sobald der Haken an einer geeigneten Stelle am Fahrzeug befestigt ist, wickeln Sie das Windenseil durch mehrfaches kurzes Einschalten der Winde an der Fernbedienung weiter auf, bis das Seil fast gespannt ist.

ZU BEACHTEN Nicht den Haken in die Seilführung ziehen. Dadurch könnte die Seilführung beschädigt werden.

ABSPANNEN

Für umfassende Grundlagen des Abspannens lesen Sie bitte die „Grundlegenden Richtlinien zur Windentechnik“, die Sie online unter www.warn.com finden.

Hinweise zum Pflegen von Synthetikseil:

Reinigung:

- Verwenden Sie zum Reinigen von Synthetikseil stets Wasser mit geringem Druck. Niemals Chemikalien verwenden.
- Richten Sie unter hohem Druck stehende Wasserstrahle (aus Hochdruckreinigern, Autowaschanlagen usw.) nicht direkt zwischen das Trommellager und den Trommelflansch bzw. den Kupplungshebel.
- Winde mit einem Tuch oder Schwamm sowie Wasser und Seife reinigen.
- Die Verwendung chemischer Stoffe, die den Lacküberzug beschädigen könnten, ist zu vermeiden.
- Salzurückstände müssen sofort gründlich von der Winde entfernt werden, um Schäden durch Korrosion zu vermeiden.

Prüfen des Seils:

ACHTUNG Windenseil, Haken und Schlingen vor Inbetriebnahme der Winde immer prüfen. Ausgefranzte, geknickte oder beschädigte Windenseile müssen umgehend ausgetauscht werden. Beschädigte Komponenten sind vor der Inbetriebnahme auszuwechseln. Alle Einzelteile sind vor Schäden zu schützen.

Bei erstmaliger Verwendung des Seils fransen die äußeren Fäden des Seils rasch aus. Das liegt daran, dass diese Fäden brechen. Die so entstehende, aufgeraute Oberfläche schützt die darunterliegenden Fasern. Dieser Zustand sollte sich stabilisieren und nicht fortschreiten. Nimmt

die Rauheit der Oberfläche zu, findet übermäßiger Abrieb statt, der zu einem Verlust der Tragkraft führt.

Betrachten Sie sowohl die inneren als auch die äußeren Fasern eingehend. Bei Verschleiß der inneren oder äußeren Fasern ist das Seil geschwächt. Ziehen Sie die Stränge auseinander und achten Sie auf pulverartige Rückstände zwischen den Fasern – das ist ein Anzeichen für inneren Verschleiß.

Verfärbte Stellen können unter Umständen auf die chemische Einwirkung verschiedenster Stoffe von Getriebeöl bis hin zu Batteriesäure hinweisen. Tauschen Sie das Seil im Zweifelsfall aus.

Das Seil ist zu tauschen, wenn:

- die Seilmasse an einer Stelle (ggf. mehrere) durch Abrieb um 10 % oder mehr verringert ist.
- zwei oder mehr aneinandergrenzende Stränge durchtrennt sind.
- flache oder klumpige Bereiche entdeckt werden, die sich nicht durch Biegen des Seils entfernen lassen.
- übermäßig stark ge- oder verschmolzene Fasern entdeckt werden. Solche Bereiche werden steif, und das Seil weist ein glasiertes Aussehen auf.



• Seil mit Originalmasse.



• Seil mit durch Abrieb um 25 % verringertem Strangvolumen – Seil ist zu tauschen.



• Seilstrang mit vollem Volumen.



• Seilstrang durch Abnutzung um 25 % verringert – Seil ist zu tauschen.



• Seil mit Faserverhärtung durch Druck. Ein leichter Glanz ist sichtbar. Dies ist kein dauerhafter Zustand, und er kann durch Biegen des Seils beseitigt werden.



• Seil mit zwei durchtrennten Strängen nebeneinander – Seil ist zu tauschen.



ABSCHLIESSENDE PRÜFUNG UND WARTUNG

Prüfung	Vor dem ersten Betrieb	Nach jedem Einsatz	Alle 90 Tage
Nehmen Sie sich Zeit, um die Anleitung und/oder Bedienungsanleitung und/oder „Grundlegenden Richtlinien zur Windentechnik“ zu lesen, um sich mit der Winde und deren Bedienung vertraut zu machen.	X		
Prüfen Sie die Befestigungselemente und vergewissern Sie sich, dass sie fest und mit dem richtigen Drehmoment angezogen sind. Beschädigte Befestigungselemente ersetzen.	X		X
Vergewissern Sie sich, dass die Verkabelung aller Komponenten korrekt ist, und stellen Sie sicher, dass alle Anschlusspunkte fest sitzen.	X		X
Vergewissern Sie sich, dass keine freiliegenden/blanken Drähte oder Anschlüsse oder schadhafte Kabelisolierungen (Abrieb/Schnitte) vorhanden sind. Alle freiliegenden Stellen mit Schutzmanschetten abdecken. Schadhafte Stromkabel reparieren oder erneuern.	X		X
Windenseil, Haken, Wärmeschutzhülle und Schlingen prüfen. Ausgefranzte, geknickte oder beschädigte Windenseile müssen umgehend ausgetauscht werden. Beschädigte Komponenten sind vor der Inbetriebnahme auszuwechseln.	X	X	X
Halten Sie Winde, Seil und Schalter schmutzfrei. Entfernen Sie Schmutz und Rückstände mit einem sauberen Tuch.		X	
Wenn die Winde in Wasser getaucht wird: Windenseil ausziehen und etwa 10 Meter aufrollen. Zum Trocknen der Winde die Anweisungen unter „Spannen des Windenseils“ befolgen.	X	X	

Nehmen Sie sich die Zeit, um sich anhand der „Grundlegenden Richtlinien zur Windentechnik“ mit der Funktionsweise und der Bedienung Ihrer Winde vollständig vertraut zu machen. Verfügbar online unter:

www.warn.com

Für weitere Informationen oder bei Fragen wenden Sie sich bitte an:

WARN INDUSTRIES, INC.
12900 S.E. Capps Road, Clackamas
OR USA 97015-8903, 1-503-722-1200,
Kundendienst: +1-800-543-9276
Händlersuchdienst: 1-800-910-1122
Oder besuchen Sie www.warn.com.



WARN® Internationale Produktgarantie

Warn Industries, Inc. (WARN) garanterar, att sina produkter utöver de USA och Kanada säljs av WARN lokala försäljningspartners och återförsäljare fria från fel i material och bearbetning fram till dess.

Alla försäljningsfrågor utöver de USA och Kanada för WARN® produkter till dina lokala försäljningspartners eller återförsäljare ska lösas.

För att hitta närmaste återförsäljare till ditt område kan du gå till vår webbplats på <http://www.warn.com/corporate/dealerlocator.jsp> eller kontakta oss på 1-503-722-1200 eller 1-503-722-3000 (fax).

Specifika detaljer om garantin kan variera beroende på de lokala lagarna och bestämmelserna.

Den här garantin gäller endast för den ursprungliga köparen av produkterna. För att få ersättning för eventuella garantifrågor måste du ha ditt köpbeleg, som är en kopia av köpbelegget. Den här garantin omfattar inte skador som beror på borttagning eller ominstallation av produkterna. WARN ska ersätta reparationskostnader, utbyte av defekta produkter eller komponenter, om du har ett felaktigt produkt eller komponent under garantiperioden. Du ska betala för transportkostnader till ett auktoriserat servicecenter. Du ska ha med dig ditt namn, adress, telefonnummer, en beskrivning av problemet, och en kopia av din kvittens och originalräkning för ditt felaktiga produkt och köpdatum.

Den här garantin gäller inte om produkterna skadas på grund av olycka, missbruk, kollision, överbelastning, modifiering, felaktig användning, oegentlig installation eller oegentlig underhåll. Den här garantin gäller inte om serienummer eller tillverkningsdatum för WARN har ändrats eller inte är tydligt.

ES GIBT KEINE ANDERE GARANTIE, EXPLIZIT ODER IMPLIZIT, EINSCHLISSLICH, ABER NICHT JEDE GEWÄHRLEISTUNG FÜR DIE MARKTGÄNGIGKEIT ODER EIGNUNG FÜR EINEN BESTIMMTEN ZWECK.

WARN NIMMT KEINE HAFTUNG FÜR BESONDERE, INDIREKTE ODER FOLGESCHÄDEN (EINSCHLISSLICH, JEDOCH NICHT DARAUF, ENTGANGENER GEWINNE, AB ZEIT ODER VERLUST DER NUTZUNG) AUFGRUND EINER RECHTSGRUNDLAGE, SELBST WENN AUF DIE MÖGLICHKEIT SOLCHER SCHÄDEN INFORMIERT WURDE WARNEN.

WARN behåller sig förbehåll för att produktdesign utan förvarning kan ändras. I vissa fall kan WARN behålla sig förbehåll för att produktdesign kan ändras, och WARN är inte skyldig att uppdatera eller modifiera tidigare tillverkade produkter. Ingen återförsäljare, representant eller anställd är behörig att göra ändringar, tillägg eller kompletteringar till denna garanti.

Garantifrågor och produkter, som ska skickas tillbaka till service, ska skickas till följande adress:

WARN INDUSTRIES, INC. 12900 S.E. Cassper Straße,
Clackamas, OR USA 97015-8903, 1-503-722-1200, FAX: 1-503-722-3000
Kundenservice: 1-800-543-9276
Händlerservice: 1-800-910-1122
Internationales Fax: 1-503-722-3000
www.warn.com

VRX och AXON™ Bruksanvisning för vinsch



Den här bruksanvisningen ger viktig säkerhetsinformation och anvisningar om hur du använder din vinsch. Det är viktigt att läsa **ALLA** anvisningar och all säkerhetsinformation **INNAN** du installerar och använder din vinsch.

När du läser dessa anvisningar kommer du att se **VARNINGAR, FÖRESKRIFTER, MEDDELANDEN** och **ANMÄRKNINGAR**. Underlåtenhet att iaktta dessa anvisningar kan leda till allvarlig skada eller. **VARNINGAR** är säkerhetsmeddelanden som indikerar en potentiellt farlig situation som, om man inte undviker den, kan resultera i allvarlig skada eller dödsfall. **FÖRSIKTIGHET** är säkerhetsmeddelanden som indikerar en potentiellt farlig situation som, om man inte undviker den, kan resultera i lindrig eller måttlig skada. **FÖRESKRIFTER** och **VARNINGAR** identifierar fara, anvisar hur man ska undvika faran och ger råd om möjliga konsekvenser om du inte undviker faran. **MEDDELANDEN** är meddelanden för att undvika materiella skador. **ANMÄRKNINGAR** är ytterligare information för att hjälpa dig att genomföra proceduren. **ARBETA PÅ ETT SÄKERT SÄTT!**

SPARA DENNA BRUKSANVISNING och annan produktdokumentation för framtida referens och läs den regelbundet för en fortsatt säker användning.

Instruera alla användare av denna produkt att läsa bruksanvisningen innan de använder produkten.

Ytterligare produktokumentation som finns tillgänglig online:

- **Grundläggande guide till vinschtekniker**
 - Ger dig en grundläggande förståelse för vinschen och lär dig grunderna i rätt vinschteknik. Den är en värdefull resurs för en säker och effektiv användning av vinschen.
- **Produktspecifikation och uppgifter om prestanda**
 - Tillhandahåller produktspecifikationer och uppgifter om prestanda för produkten samt information om reservdelar.
- **Annan produktlitteratur specifik för några produkter**

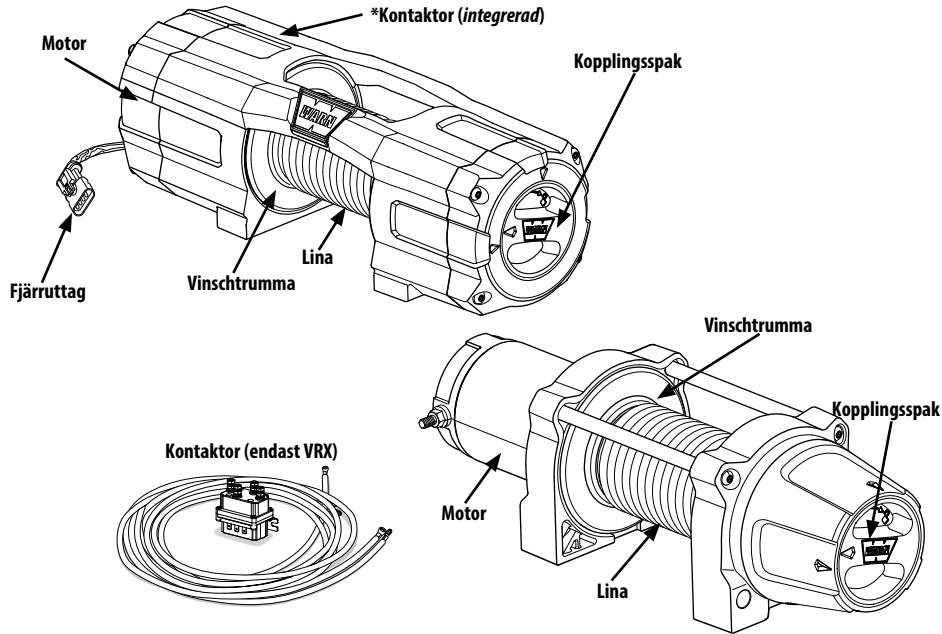
Gå till www.warn.com för ytterligare eller ersättande produktlitteratur som finns tillgänglig för visning/ nedladdning.

INNEHÅLLSFÖRTECKNING:

Lär känna din vinsch/Lär känna dina komponenter	2-3
Montering.....	4-5
Elektriska anslutningar	6-8
Driftinstruktioner inför första användning	9-12
Vård av syntetisk lina	13
Slutlig analys och underhåll	14
Garanti.....	15

LÄR KÄNNA DIN VINSCH

Innan du börjar måste du bekanta dig med din WARN®-vinsch och alla dess delar:



Motor: Vinschmotorn drivs av fordonets batteri. Motorn förser kugghjulsmekanismen med kraft, som rullar vinschtrumman och lindar vinschlinan.

Vinschtrumma: Vinschtrumman är den cylinder på vilken vinsch repet matas. Trumman drivs av motorn och körtåg. Dess riktning kan ändras med fjärrkontrollen.

Vinschlinan: Vinschlinans diameter och längd bestäms av vinschens lastningskapacitet och konstruktion. Vinschlinan är lindad runt vinschtrumman och matas genom linrullen, och har en slinga i änden för krokens gaffelbult. Den syntetiska vinschlinan är tillverkad av ett unikt polyetenmaterial med ultrahög molekylvikt och erbjuder en oerhörd sträckhållfasthet. Den är täckt av polyuretan för höga temperaturer och är försedd med ett värmeresistent hölje över det första lagret för ytterligare skydd. Tack vare den syntetiska vinschlinans höga flexibilitet och låga vikt är den mycket enkel att hantera ute på fältet.

Kopplingsspak: Kopplingen tillåter operatören att manuellt koppla ifrån spoltrumman från kugghjulsöverföringen, vilket gör det möjligt för trumman att rotera fritt (känt som "frispolning"). Koppla in kopplingen "läser" vinschtrumman tillbaka till kugghjulsöverföringen.

Kontaktor: Vid användning av ström från fordonets batteri växlar kontaktorn strömmen till motorn, vilket gör det möjligt för operatören att ändra riktning på vinschtrummans rotation. *** AXON-vinschkontaktorn är integrerad med vinschmotorn.**

Fjärruttag (AXON-vinsch): Fjärrkontakten är där operatören pluggar in den trådbundna fjärrkontrollen för att styra vinschen.

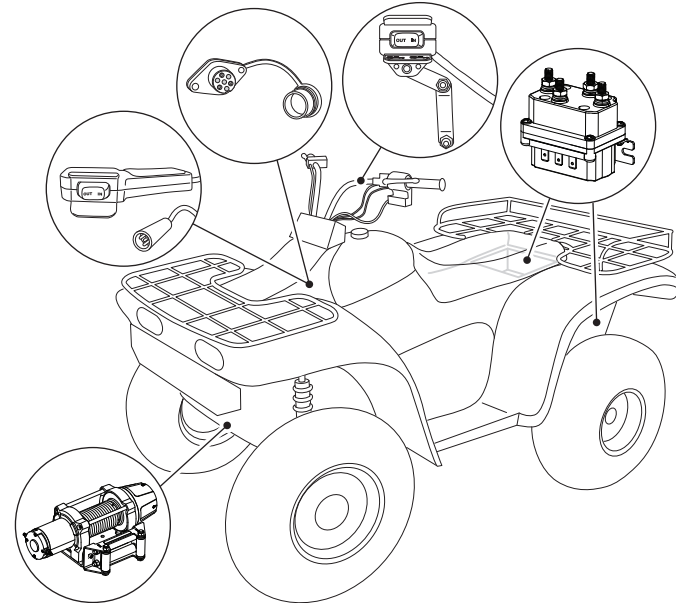
LÄR KÄNNA DINA KOMPONENTER



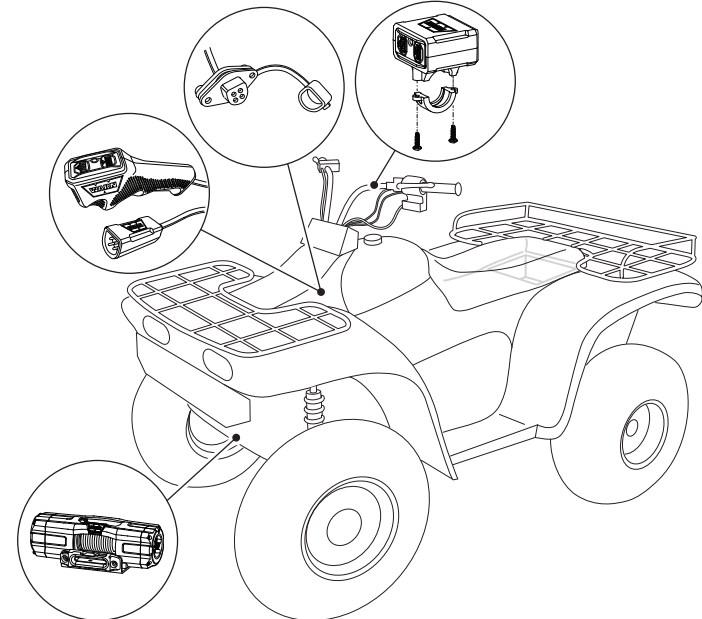
INNAN ANVÄNDNING, ta dig tid att läsa igenom alla anvisningar och all säkerhetsinformation innan du installerar och använder din vinsch.

STEG 1: IDENTIFIERA MONTERINGSPLATSER

VRX



AXON



MONTERING

STEG 2: MONTERA DIN VINSCH

⚠ VARNING Använd alltid en monteringsplats som har tillräcklig motståndskraft för att motstå vinschens maximala dragkraft.

⚠ VARNING Placera alltid linledaren med varningen tydligt synlig på ovansidan.

⚠ VARNING Använd alltid klass 8.8 metrisk (grad 5) eller bättre monteringsbeslag.

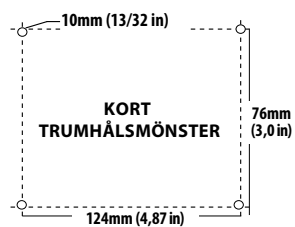
⚠ VARNING Svetsa aldrig monteringsbultar.

⚠ VARNING Kontrollera alltid kraven på bultlängd för att säkerställa korrekt gängingrepp.

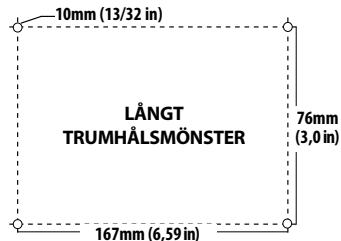
⚠ VARNING Genomför alltid installationen av vinschen och krokfästet innan du installerar ledningarna.

VINSCHMONTERING

VRX 25/35 - AXON 35

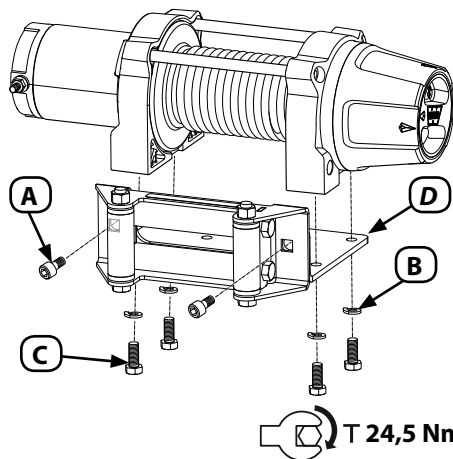


VRX 45 - AXON 45/55

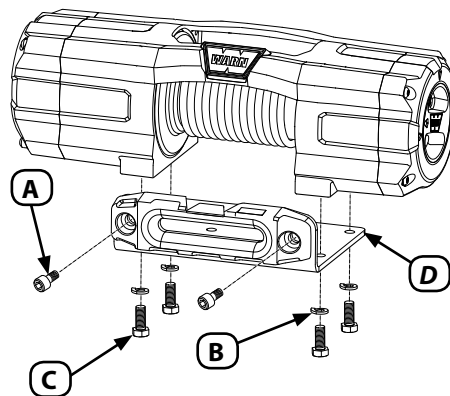


Artikel	Antal	Beskrivning
A	2	M10 x 15
B	4	M8
C	4	M8 x 1.25 x 25
D	1	SÄLJS SEPARAT

VRX



AXON



MONTERING

STEG 3: MONTERA DIN FJÄRRUTRUSTNING

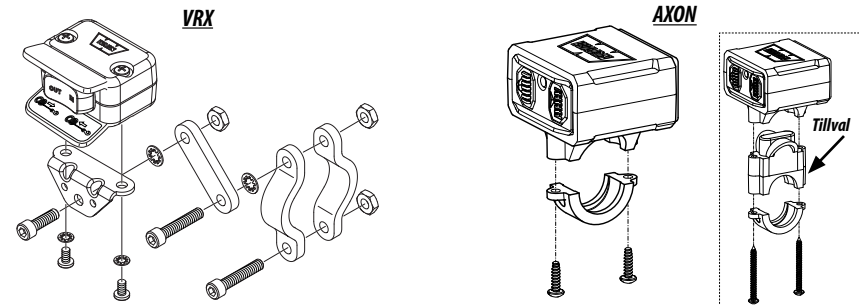
- Koppla loss fordonets batterikablar, minuspolen först. Allt arbete med elektriska ledningar och kablar måste genomföras med batteriet helt bortkopplat från fordonets kablage.

⚠ VARNING FÖR ATT UNDVIKA ALLVARLIGA KROPPSSKADOR OCH MATERIELLA SKADOR: Var försiktig om du flyttar eller ändrar fordonets reglage, så att du inte äventyrar fordonets driftsäkerhet.

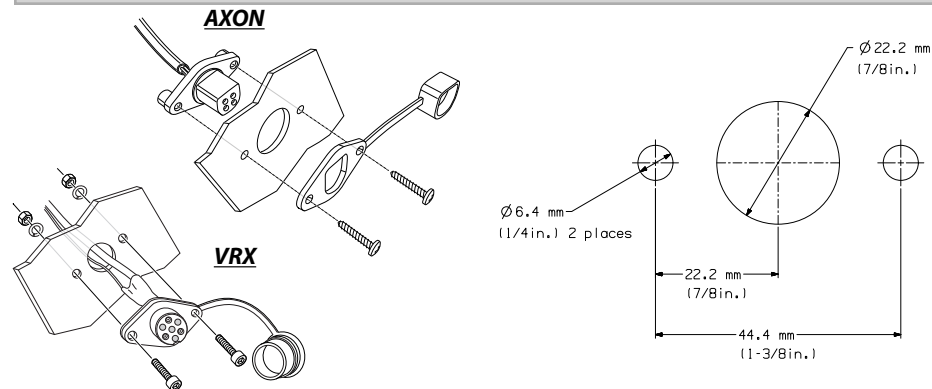
Välj en monteringsplats som kommer att erbjuda fritt utrymme för alla fordonskontroller.

Innan du fäster strömbrytarkabeln med band, se till att handtagen har fullständig rörelseförmåga.

MONTERING AV HANDTAGSBRYTARE

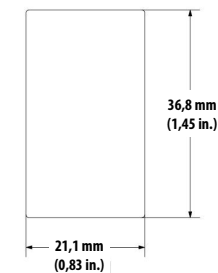
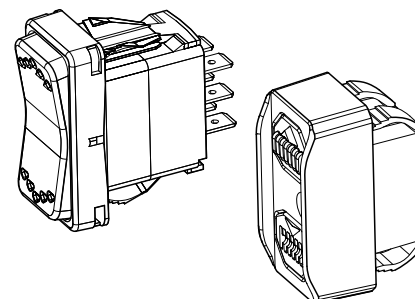


MONTERING AV FJÄRRUTTAG



MONTERING AV BRYTARE FÖR INSTRUMENTBRÄDA

VRX 45 - AXON 45/55



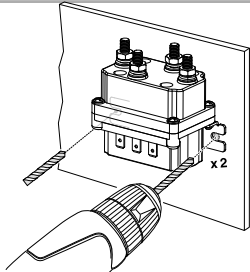
Ej skalenligt Använd INTE som mall!

STEG 4: MONTERA DIN KONTAKTOR (endast VRX-vinsch)

⚠ VARNING Montera aldrig kontaktorn när elektriska terminaler befinner sig i kontakt med metallföremål.

⚠ VARNING Kontrollera alltid att bränsleslangar, bränsletank, bromsledningar, elledningar, osv. inte berörs under borrhingsarbetet.

KONTAKTORMONTERING (endast VRX-vinsch)



STEG 5: ANSLUTNING AV DIN UTRUSTNING

⚠ VARNING Avlägsna alltid smycken och använd skyddsglasögon när du genomför batterianslutningar.

⚠ VARNING Placera alltid de medföljande terminalskorna på kablar och terminaler.

⚠ VARNING Dra aldrig elkablar igenom eller i närheten av rörliga delar.

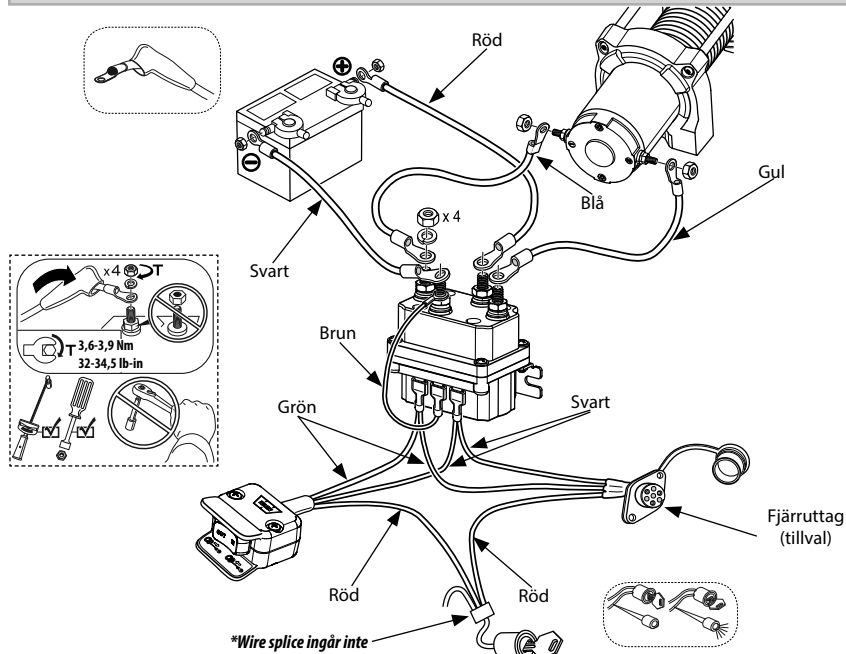
⚠ VARNING Dra aldrig elkablar över vassa kanter.

⚠ VARNING Isolera och skydda alltid alla lösa elkablar och elanslutningar.

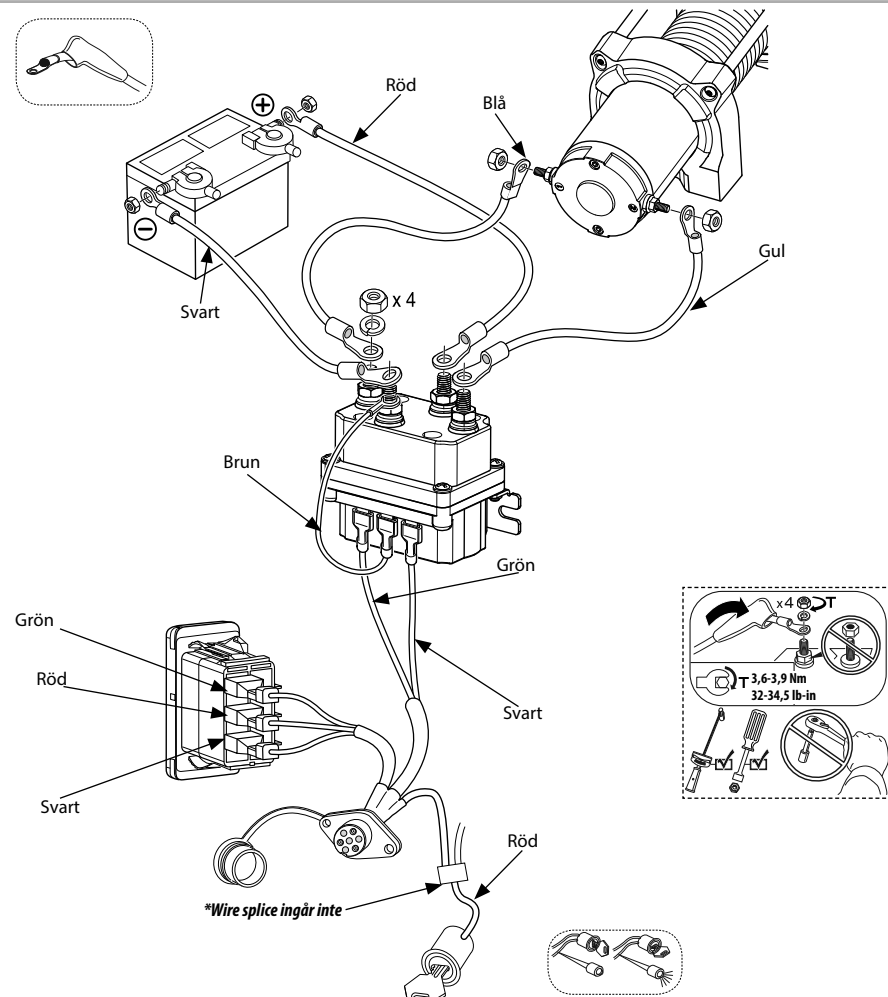
⚠ VARNING Dra aldrig elkablar i närheten av delar som hetts upp.

⚠ VARNING Dra aldrig elektriska ledningar över batteripoler.

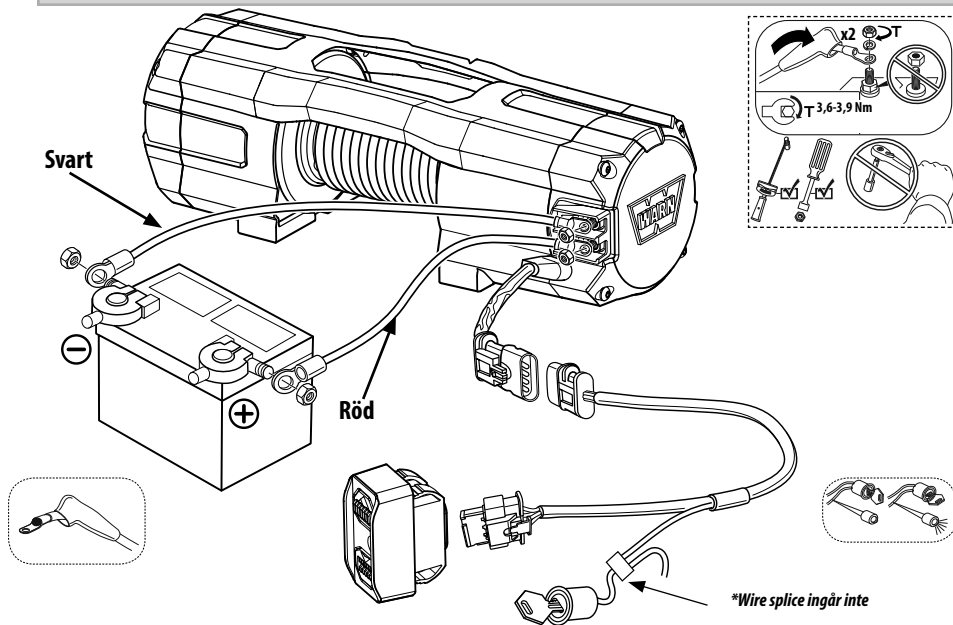
VRX 25/35



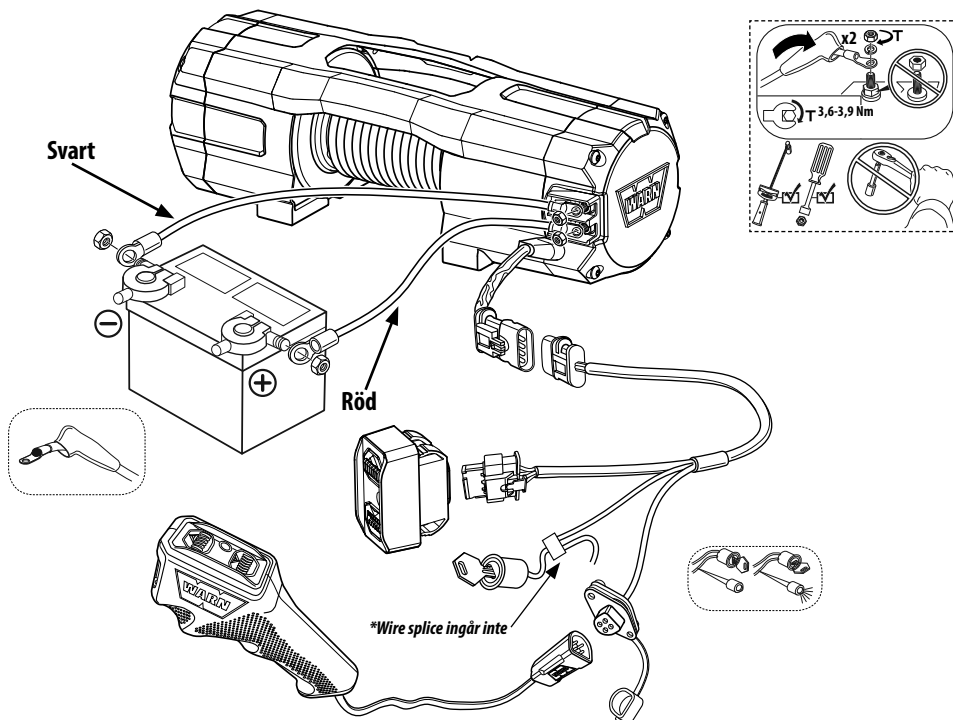
VRX 45



AXON 35



AXON 45/55



Steg 3: Systemkontroll

⚠ VARNING Anslut ALLTID röd (+) strömkabel till batteriets positiva (+) pol.

⚠ VARNING Anslut ALLTID svart (-) jordningskabel till batteriets negativa (-) pol.

Utför systemkontrollen:

1. Kontrollera fästdon och försäkra dig om att de har dragits åt till rätt vridmoment.
2. Bekräfta att alla ledningar till alla komponenter är korrekta och se till så att alla anslutningar är åtdragna.
3. Bekräfta att det inte finns några exponerade/oskyddade linor, anslutningar eller skador på kabelisoleringar.
4. Läs nogga igenom hela basguiden för vinschteknik innan vinschen används (www.warn.com).

När du har utfört en systemkontroll är du redo att följa "Driftinstruktioner inför första användning".

Steg 4: Driftinstruktioner inför första användning

I detta avsnitt visar vi driftinstruktionerna inför första användning, för effektiv grundläggande vinschning. För fullständig information om vinschdrift och vinschtekniker, läs hela basguiden för vinschteknik, tillgänglig online på: www.warn.com.

⚠ VARNING Använd aldrig en vinsch som en lyftkran eller för att hänga upp en last.

⚠ VARNING Använd aldrig vinschen för att lyfta eller förflytta personer.

Fjärrkontroll:

⚠ VARNING Se alltid till att hålla den trådbundna fjärrkontrollen och elsladden borta från trumman, linan och riggen. Inspektera att det inte finns några sprickor, nöta vajrar eller lösa anslutningar. Skadade komponenter måste ersättas innan användning.

⚠ VARNING Lämna aldrig fjärrkontrollen där den kan aktiveras av misstag.

⚠ VARNING Lämna aldrig vinschens fjärrkontroll inkopplad under installation, frispolning, riggning, underhåll eller när vinschen inte används.

Fjärrkontrollen ger kontroll över spolningstrummans rotation vid utvinschning (framåt) eller invinschning (bakåt).

Lämna inte fjärrkontrollen inkopplad i vinschen när den inte används. Genom att lämna fjärrkontrollen inkopplad kan det resultera i oavsiktlig aktivering och/eller att batteriet laddas ur.

Använda kopplingen:

⚠ VARNING Aktivera eller inaktivera aldrig kopplingen om vinschen är belastad, vinschlinan är spänd eller om trumman rör sig.

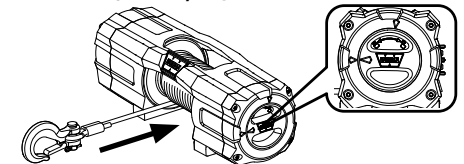
⚠ MEDDELANDE Se alltid till så att kopplingen är fullständigt aktiverad eller inaktiverad när du använder vinschen.

Kopplingsspaken finns på vinschkåpan mitt emot motorn och styr kopplingens läge. För att undvika skada, aktivera eller inaktivera alltid kopplingsspaken fullständigt.

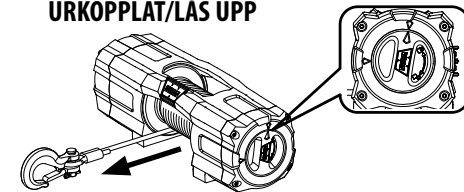
När kopplingen är aktiverad är kugghjulet kopplat till vinschtrumman och kraften kan överföras från vinschens motor.

När kopplingen är inaktiverad är trumman i frispolningsläge och kugghjulet och vinschens lintrumma är frånkopplade, vilket gör att trumman kan rotera fritt.

IKOPPLAT/LÅS



URKOPPLAT/LÅS UPP



Utspolning

⚠ VARNING Använd aldrig vinsch med mindre än 5 lindningar av vinsch rep runt trumman. Rope kan lossna från trumman.

⚠ VARNING Håll alltid händerna borta från vinschlinan, krokögla, ögla och linledaröppning under installation, användning samt vid in- och utspolning.

⚠ VARNING Ha alltid på dig kraftiga handskar när du hanterar vinschlinan.



Frikoppling är oftast det snabbaste och enklaste sättet att spola ut vinschlinan på. Innan du spolat ut vinschlinan från vinschen under frikoppling, mata ut tillräckligt med lina för att undvika eventuell spänning i vinschlinan. Koppla ur kopplingen. Spola därefter manuellt ut tillräckligt med vinschlinan för vinschningsåtgärden. Se basguiden för vinschteknik för mer information, tillgänglig online på www.warn.com.

MEDELLENDE Vinscha INTE ut mer än 9 meter (30 ft.) utan att låta vinschen svalna under 20 minuter innan du matar in linan igen. Placera i stället kopplingen i friläge och dra ut vajern för hand.

⚠ VARNING Använd alltid medföljande krokstropp när du spolat vinschlinan ut eller in.



Inspolning under belastning.

⚠ VARNING Överskrid aldrig vinschens eller vinschlinans kapacitet.

⚠ VARNING Alltid känner till arbetsbelastningsgränsen (WLL) på ditt rep.

⚠ VARNING Överskrid aldrig WLL på rep eller chockbelastning detta rep.

Dra in vinschlinan jämnt och tätt på trumman. Detta förhindrar att vinschens yttre lindningar sjunker in i de inre lindningarna så att de fastnar och skadar vinschlinan.

Undvik chockbelastning vid spolning genom att pulsa kontrollenshetens kontakt för att ta upp den slaka vinschlinan. Chockbelastning kan tillfälligt vida överskrida vinschens och linans kapacitet.

Inspolning utan belastning.

⚠ VARNING Rör aldrig vinschlinan eller kroken medan någon annan befinner sig vid strömbrytaren, medan vinschlinan är belastad eller under vinschning.

Spolning med medhjälpare: Låt en medhjälpare hålla krokstroppen med så mycket konstant spänning på vinschlinan som möjligt. Med bibehållen spänning ska medhjälparen sedan gå mot vinschen medan du använder reglaget för att spola in vinschlinan. Frigör reglaget när kroken är minst 2 m från linledarens öppning.

Spola in resten för förvaring enligt anvisningarna nedan.

Spolning ensam: Se till att vinschlinan som ska spolas inte viks eller trasslar till sig under inspolningen. Se till så att vinschlinan på trumman är fördelad i täta och jämna lager. Spola in tillräckligt med vinschlinan för att fullborda nästa fullständiga lager på trumman. Spänn och räta ut lagret. Upprepa förfarandet tills kroken är minst 2 m från linledaren.

Inspolning av resten för förvaring

När kroken är inom 2 m avstånd från linledaren, lossa kroken från förankringsstället eller lasten. Håll i medföljande krokbeslag och upprätthåll spänningen på vinschlinan. Dra långsamt in vinschen genom att "pulsa" indragningskontakten på fjärrkontrollen tills kroken är inom 1 m avstånd från linledaren.

Sluta vinscha in och fäst kroken på ett lämpligt förankringsställe på fordonet.

MEDELLENDE Koppla inte in kroken i linledaren. Detta kan skada linledaren.

När kroken är lämpligt fäst på fordonet kör du in återstående slack i vinschlinan genom att "pulsa" in resten med indragningsbrytaren på fjärrkontrollen tills det är minimalt slack kvar i vinschlinan.

Överbastning/överhettning

⚠ VARNING Var alltid medveten om att det finns varma ytor vid vinschmotorn, trumman eller linan under eller efter användning av vinschen.

Denna vinsch är klassad för intermittent arbete. När motorn närmar sig stallfart sker en mycket snabb upphettning som kan orsaka skada på motorn.

Rigging med dubbel lina (se basguide för vinschtekniker) minskar strömstyrkan och minskar upphettningen av motorn. Detta medger längre kontinuerlig användning.

Lastbegränsare (AXON-vinschar)

⚠ VARNING Koppla aldrig in eller ur kopplingen om vinschen är belastad, vinschlinan är spänd eller om trumman rör sig.

⚠ VARNING Rör aldrig en vinschlinan eller krok när vinschen är spänd eller belastad.

Om AXON-vinschens kapacitet överskrids utlöses lastbegränsaren, vilket bryter ströminmatningen till motorn. Detta hindrar överhettning och eventuell skada på motorn. Vid 50% av dragkapaciteten blir fjärrindikator gul. Vid 75% av dragkapaciteten blir fjärrindikator orange. Vid 90% av dragkapaciteten blir fjärrindikator röd. När dragkapaciteten överskrids kommer belastningsbegränsaren att få fjärrindikatorn att blinka röd och AXON-motorn stoppar. När detta inträffar ska du släppa lasten genom att spola ut. När lastbegränsningen har utlösts kan vinschen inte spolas in förrän lastbegränsaren återställts genom att spola ut. Försök inte att lägga på samma last om lastbegränsaren har utlösts för eftersom detta kan skada vinschen. Om lastbegränsaren inte återställs, kontakta ett auktoriserat servicecenter.

Om lastbegränsaren fortsätter att utlösas, gör så här:

1. Minska lastens vikt.
2. Öka avståndet till förankringspunkten. Maximal dragkraft inträffar från och med det första vinschlagret på trumman. Genom att öka avståndet mellan vinschen och förankringspunkten minskar vinschlagren på trumman, vilket därmed ökar dragkraften.

STRÄCKNING AV VINSCHLINA

⚠ VARNING Dra alltid ut vajern och spola upp den under belastning innan användning.

⚠ VARNING Inspektera alltid vinschlinan, kroken och remmarna innan användning. Fransad, knäckt eller skadad vinschlinan måste omedelbart ersättas. Skadade komponenter måste ersättas innan användning. Skydda alla delar från skada.

Sträckning (spänning) av vinschlinan är nödvändig för att den ska hålla länge. Genom att spänna vinschlinan förhindrar du att yttre vinschlagret kommer i kläm och förstör de inre lagren.

När den används första gången måste vinschlinan spolas upp på trumman med minst 226 kg (500 lbs) belastning.

Följ nedanstående instruktioner för att spänna vinschlinan på vinschtrumman på korrekt sätt.

⚠ VARNING Ha alltid på dig kraftiga handskar när du hanterar vinschlinan.

1. Välj en PLAN OCH ICKE LUTANDE plats som är tillräckligt stor för att dra ut hela vinschlinan.

2. Koppla ur kopplingsspaken.

⚠ VARNING Håll alltid händerna borta från vinschlinan, krokögla, ögla och linledaröppningen under installation, användning och vid in- och utspolning.

3. Ta tag i krokremmen och spola ut vinschlinan till de sista 5 varven på trumman.
4. Kontrollera att vinschlinan spolas från trummans undersida, annars kommer den automatiska belastningsbromsen inte att fungera ordentligt. **OBSERVERA:** Om vinschlinan spolas av från ovasidan av trumman, har du valt "out" stället för "in". Säkerställ att du håller på att dra in.

⚠ VARNING Linda alltid in vinschlinan på botten (monteringssidan) av trumman.



MEDELLENDE För att vinschbromsen ska fungera korrekt måste vinschlinan spolas upp på trumman i en särskild riktning. *Se trumrotationsetiketten på vinschen.

5. Koppla in kopplingen när vinschlinan har spolats ut.

⚠ VARNING Säkerställ alltid att krockens spärr är låst.



⚠ VARNING Belasta alltid endast krockens mittpunkt.

⚠ VARNING Belasta aldrig krockspetsen eller använd en krok som är böjd eller vriden.

6. Fäst linans krokände på ett lämpligt förankringspunkt.

⚠ VARNING Ta alltid bort element som kan hindra att vinschen används på ett säkert sätt.

⚠ VARNING Linda aldrig tillbaka vinschlinan runt sig själv. Använd en kedja eller rem på förankringsstället.



⚠ VARNING Se alltid till så att förankringsstället du väljer klarar belastningen och att remmen eller kedjan inte glider.

7. Återvänd till ditt fordon.
8. Backa fordonet från förankringspunkten tills vinschlinan inte är så slak.

9. Dra åt handbromsen, lägg i en växel eller sätt fordonet i parkeringsläge och stäng av motorn.

⚠ VARNING Stå alltid en bit från vinschlinan och lasten, och håll andra borta under vinschningen.

10. Kliv ur fordonet. **VARNING! Gå aldrig ur fordonet med last på vinschlinan.** Stå cirka 2,5 m från vinschen och dra in linan tills allt är upplindat på vinschtrumman.

⚠ VARNING Rör aldrig vinschlinan eller kroken medan någon annan befinner sig vid strömbrytaren, när vinschlinan är belastad eller under vinschning.

⚠ VARNING Låt aldrig vinschlinan glida genom dina händer.

11. Använd handskar, håll spänningen i vinschlinan med en hand, skjut försiktigt på vinschlinan till sidan av trumman där vinschlinan är fäst så att det inte finns några glapp mellan varje spole på trumman.

12. Följande steg ska utföras av två personer för ordentlig säkerhet. Om du försöker spänna vinschlinan ensam, försäkra dig om att du alltid drar åt handbromsen, lägg sedan in en växel eller i parkeringsläge samt stänger av motorn varje gång du kliver ur fordonet för att inspektera vinschlinan.

MEDELÄNDE Var noga med att varje lager är jämnt fördelat för att förhindra att linan skadas.

⚠ VARNING Använd aldrig fjärrkontrollen när operatören inte har fri sikt över fordonet.

13. Fordonsföraren bör använda vinschen.
14. Instruera din medhjälpare att stå vid sidan av fordonet och hålla sig borta från vinschlinan. **OBSERVERA: Din medhjälpare bör signalera till dig om vinschlinan lindas ordentligt eller inte genom att titta på hur den förflyttar sig över ledrullen när vinschlinan dras in.**
15. Starta fordonet och sätt växellådan i neutralt läge. Frigör sedan handbromsen medan du trycker ner bromspedalen med måttlig kraft.
16. Dra in vinschlinan för att påbörja invinschningen.
17. Stoppa vinschningen efter cirka 2 m (6 ft).
18. Lätta sakta på bromspedalen och dra åt

handbromsen. Detta förfarande säkerställer att det inte finns någon belastning på vinschlinan.

19. Lägg in en växel eller sätt fordonet i parkeringsläge och stäng av motorn.
20. Gå ur fordonet och kontrollera att vinschen lindas jämnt på vinschtrumman och inte sjunker in i de undre lagren. Om vinschlinan sjunker in drar du ut vinschlinan genom att trycka på utdragningsknappen på fjärrkontrollen och upprepar det här steget från början med högre tryck på bromspedalen.
21. När du har försäkrat dig själv om att vinschlinan lindas upp på trumman ordentligt, upprepa stegen tills fordonet är inom 2 m avstånd från vinschens förankringsställe. När kroken är inom 2 m (6 ft) avstånd från linledaren, lätta sakta på bromspedalen och lägg i handbromsen. Detta förfarande säkerställer att det inte finns någon belastning på vinschlinan. Lägg sedan in en växel eller parkeringsläget och stäng av motorn.
22. Kliv ur fordonet. Ta bort kroken från förankringsstället.
23. Medan du håller i den medföljande krokremmen, håll kvar spänningen i vinschlinan och dra sakta in vinschen genom att "pulsera" indragningsknappen på din fjärrkontroll. tills kroken är inom 1 m avstånd från linledaren
24. Sluta invinschningen och fäst kroken på en passande lagringsplats på fordonet.
25. När kroken har fästs på en passande plats på fordonet, dra in resten av den slaka vinschlinan genom att "pulsera" indragningsknappen på din fjärrkontroll tills det finns minimalt med slack kvar i vinschlinan.
- MEDELÄNDE** Kör inte in kroken i linledaren. Detta skulle kunna skada linledaren.

RIGGNING

För fullständiga riggningsgrunder, läs basguiden för vinschteknik, tillgänglig online på: www.warn.com.

Vård av syntetisk lina:

Rengöring:

- Använd vatten med lågt tryck vid rengöring av den syntetiska linan. Använd inte några kemikalier.
- Rikta inte högtrycksvatten (högtryckspruta, biltvätt, osv.) direkt mellan trummans fäste och trummans flänsar eller kopplingsspaken.
- Tvätta vinschen med vatten under lågt tryck och en trasa eller en svamp med tvällösning.
- Undvik att använda kemikalier som kan skada ytbeläggningen.
- Minimera korrosion genom att så snart som möjligt grundligt tvätta bort saltavlagringar från vinschen.

Lininspektion:

⚠ VARNING Inspektera alltid vinschlinan, kroken och remmarna innan användning. Fransad, knäckt eller skadad vinschlinan måste omedelbart ersättas. Skadade komponenter måste ersättas innan användning. Skydda alla delar från skada.

När linan används för första gången kommer de yttre fibertrådarna att snabbt luddas ihop. Det beror på att dessa fibertrådar bryts av, och denna uppruggade yta kommer i själva verket att skydda de underliggande fibrerna. Förhållandet kommer att stabiliseras, inte fortsätta. Om ytans skrovlighet ökar beror det på att det förekommer för stort slitage och dragkraften minskar.

Titta noga på både inre och yttre fibrer. Om någon av dem är sliten är linan uppenbarligen försvagad. Öppna upp kardelerna och leta efter pulvrerade fibrer – detta är ett tecken på invändigt slitage.

Lokala missfärgningar kan eventuellt antyda på kemiska angrepp av allt från växellådsolja till batterisyra. I tveksamma fall, byt ut linan.

Linan ska bytas ut när:

- Linans tjocklek, någonstans utmed hela längden, har minskat med 10 % eller mer på grund av slitage.
- Två eller fler närliggande parter är avskurna.
- Det förekommer platta områden eller bulor som inte försvinner då linan böjs.
- Det förekommer för många sammansmälta fibrer. Sådana ytor blir stela och linan kommer att se glättad ut.



• Lina i originalutförande.



• Lina som slitits ner 25 % (volym) – linan måste bytas ut.



• Kardel som visar full volym.



• Kardel som slitits ner 25 % – linan måste bytas ut.



• Lina som visar tillplattade fibrer från hoptryckning. En viss glans märks. Detta är inte ett permanent tillstånd utan kan bortskaffas genom att böja linan.



• Linan har två intilliggande trasiga kardeler – linan måste bytas ut.

SLUTLIG ANALYS OCH UNDERHÅLL

Kontrollera	Innan första användning	Efter varje användning	Var 90:e dag
Ta dig tid att läsa igenom anvisningarna och/eller bruksanvisningen och/eller basguiden för vinschteknik så att du förstår din vinsch och hur den fungerar	X		
Kontrollera fästdon och se till så att de är åtdragna till rätt vridmoment. Byt ut skadade fästdon.	X		X
Kontrollera att ledningarna till alla komponenter är korrekta och se till så att alla anslutningar sitter i ordentligt.	X		X
Kontrollera att det inte finns några exponerade/oskyddade linor, poler eller skador på kabelisoleringar (nötskador/skär). Täck exponerade sladdar med kabelskor. Reparera eller byt ut skadade elektriska sladdar.	X		X
Inspektera vinschlina, krok värmehölje och remmar. Fransig, trasslig eller skadad vinschlina måste omedelbart bytas ut. Skadade komponenter måste bytas ut innan vinschen används.	X	X	X
Håll vinsch, lina och manöverkontakt rena. Använd en ren trasa eller handduk för att avlägsna smuts och skräp.		X	
Om vinschen sänks i vatten: Dra ut vinschlinan och dra sedan in den igen in ca 9 m (30 ft). Följ proceduren "Spänning av vinschlina" för att torka vinschen.	X	X	

Ägna tid åt att fullt förstå hur vinschen och dess drift fungerar genom att läsa igenom basguiden för vinschteknik, tillgänglig online på:

www.warn.com

För ytterligare information eller frågor, kontakta:

WARN INDUSTRIES, INC.

12900 S.E. Capps Road, Clackamas

OR USA 97015-8903, 1-503-722-1200,

Kundtjänst: 1-800-543-9276

Information om återförsäljare: +1-800-910-1122

Eller besök www.warn.com.



WARN® Internationell produktgaranti

Warn Industries, Inc. (WARN) garanterar att dess produkter säljs utanför USA och Kanada för att vara fri från defekter i material och utförande genom WARN lokala auktoriserade distributörer och återförsäljare.

Alla garantifrågor utanför USA och Kanada för WARN® produkter bör riktas till din lokala Point of Sales återförsäljare.

För att hitta närmaste återförsäljare till din plats besök vår hemsida på <http://www.warn.com/corporate/dealerlocator.jsp> eller kontakta oss på 1-503-722-1200 eller 1-503-722-3000 (Fax) .

Specifika detaljer om garantin kan variera beroende på lokala lagar och förordningar.

Denna garanti gäller endast för den ursprungliga köparen av produkterna. För att få någon garantiservice måste du ange inköpsbevis, t.ex. en kopia på kvittot. Denna garanti täcker inte avlägsnande eller ominstallation av produkten. WARN kommer efter eget val, reparera, byta ut eller återbetala inköpspriset för en defekt produkt eller komponent, förutsatt att du returnerar den defekta produkten eller komponenten under garantiperioden, transportkostnader betald till en auktoriserad serviceverkstad. Bifoga ditt namn, adress, telefonnummer, en beskrivning av problemet, och en kopia av kvittot och originalköpe bär WARN artikelnummer av den defekta produkten och inköpsdatum.

Denna garanti gäller inte om produkten har skadats genom olycka, missbruk, kollision, överbelastning, ändring, felaktig användning, felaktig installation, eller felaktig service. Denna garanti är ogiltig om någon WARN serienummer eller Tillverkare datumkoden har tagits bort eller förstörts.

DET FINNS INGA ANDRA GARANTIER, UTTRYCKLIGA ELLER UNDERFÖRSTÅDDA, INKLUSIVE MEN INTE BEGRÄNSAT TILL GARANTIER FÖR SÄLJBARHET ELLER LÄMPLIGHET FÖR ETT VISST SYFTE.

WARN SKA INTE VARA ANSVARIG FÖR SÄRSKILDA, INDIREKTA ELLER SKADOR (INKLUSIVE, MEN INTE BEGRÄNSAT TILL, UTEBLIVEN VINST, STILLESTÅND ELLER FÖRLUST AV ANVÄNDNING) UNDER NÅGON LAGSTIFTNING, ÄVEN OM WÄRN INFORMERATS OM RISKEN FÖR SÅDANA SKADOR.

WARN förbehåller sig rätten att ändra produktdesign utan förvarning. I situationer där WARN har förändrats Produktdesign, WARN har ingen skyldighet att uppgradera eller på annat sätt modifiera tidigare tillverkade produkter. Ingen WARN återförsäljare, agent eller anställd är auktoriserad att göra ändringar, tillägg eller tillägg till denna garanti.

Garanti frågor och Produkter som returneras för garantiservice ska skickas till:

WARN INDUSTRIES, INC. 12900 S.E. Capps Road,
Clackamas, OR USA 97015-8903, 1-503-722-1200, FAX: 1-503-722-3000
Kundtjänst: 1-800-543-9276
Återförsäljare: 1-800-910-1122
Internationell fax: 1-503-722-3000
www.warn.com

VRX e AXON™

Guida per l'operatore di verricelli



Questo manuale fornisce importanti istruzioni e informazioni di sicurezza sull'installazione e l'utilizzo del verricello. È importante leggere attentamente **TUTTE** le istruzioni e le informazioni sulla sicurezza **PRIMA** di installare e utilizzare il verricello.

Leggendo queste istruzioni si noteranno **AVVERTENZE**, indicazioni di **ATTENZIONE**, **AVVISI** e **NOTE**. La mancata osservanza delle presenti istruzioni può causare lesioni gravi o fatali. Le **AVVERTENZE** sono messaggi di sicurezza che indicano situazioni potenzialmente pericolose che, se non vengono evitate, possono causare lesioni gravi o fatali. Le indicazioni di **ATTENZIONE** sono messaggi di sicurezza che indicano situazioni potenzialmente pericolose che, se non vengono evitate, possono causare lesioni di leggera o moderata entità. Le indicazioni di **ATTENZIONE** e **AVVERTENZA** identificano il pericolo, indicano come evitarlo e informano sulle possibili conseguenze nel caso in cui questo non venga evitato. Gli **AVVISI** sono messaggi che indicano come evitare danni alle apparecchiature. Le **NOTE** contengono informazioni supplementari utili per completare le procedure. **PRESTARE SEMPRE LA MASSIMA ATTENZIONE ALLA SICUREZZA!**

CONSERVARE IL MANUALE e la documentazione integrativa per riferimento futuro ed esaminarli frequentemente per garantire un utilizzo sempre sicuro.

Chiedere a tutti gli utilizzatori di questo prodotto di esaminare il manuale prima di procedere al suo utilizzo.

Documentazione integrativa disponibile online:

- **Guida di base per le tecniche di sollevamento con verricello**
 - Contiene una serie di nozioni di base sul verricello e offre le informazioni essenziali sulle corrette tecniche di sollevamento. È una risorsa preziosa per imparare a utilizzare il verricello in modo efficiente e in tutta sicurezza.
- **Specifiche di prodotto e dati sulle prestazioni**
 - Contiene specifiche di prodotto, dati sulle prestazioni e informazioni sui pezzi di ricambio.
- **Documentazione integrativa specifica per alcuni prodotti**

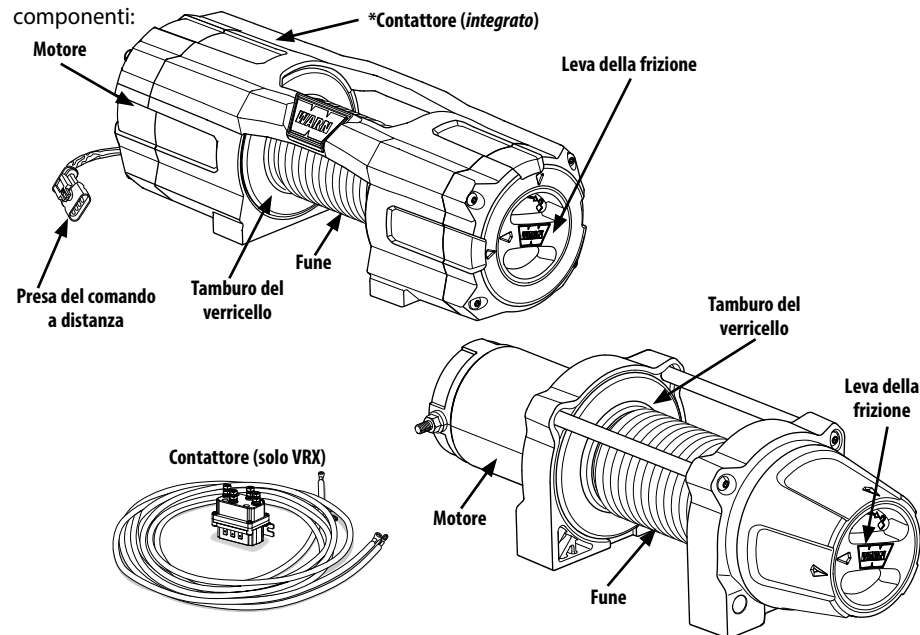
Nel sito www.warn.com è possibile consultare o scaricare altra documentazione del prodotto integrativa o sostitutiva.

INDICE:

Familiarizzare con il verricello/ Familiarizzare con i componenti	2-3
Montaggio.....	4-5
Impianto elettrico.....	6-8
Istruzioni per il primo utilizzo	9-12
Manutenzione fune sintetica	13
Manutenzione e analisi finale	14
Garanzia	15

FAMILIARIZZARE CON IL VERRICELLO

Prima di iniziare, è necessario familiarizzare con il verricello WARN® e ciascuno dei suoi componenti:



Motore:

Il motore del verricello è alimentato dalla batteria del veicolo. Il motore fornisce l'alimentazione al meccanismo dell'ingranaggio, che gira il tamburo del verricello e avvolge la fune.

Tamburo del verricello:

Il tamburo del verricello è il cilindro sul quale si alimenta la fune del verricello. Il tamburo è azionato dal motore e dalla trasmissione. La sua direzione può essere cambiata usando il telecomando.

Fune del verricello:

Il diametro della fune e la sua lunghezza sono determinati dalla capacità di carico del verricello e dalla sua progettazione. La fune metallica, avvolta intorno al tamburo del verricello e fatta passare attraverso la guida, forma un cappio all'estremità per l'inserimento del perno di chiusura del gancio.

La fune sintetica del verricello è realizzata in uno speciale materiale polietilenico ad altissimo peso molecolare che assicura una eccezionale forza tensile. È rivestita con uretano resistente alle alte temperature ed è dotata di una guaina resistente al surriscaldamento sul primo strato, per una maggiore protezione. L'elevata flessibilità e il peso ridotto della fune sintetica ne semplificano notevolmente l'uso sul campo.

Leva della frizione:

La frizione consente all'operatore di disinnestare manualmente il tamburo di avvolgimento dall'ingranaggio, consentendo al tamburo di ruotare liberamente (detta anche "svolgimento libero"). L'innesto della frizione "blocca" nuovamente il tamburo del verricello all'ingranaggio.

Contattore:

Grazie alla potenza elettrica generata dalla batteria del veicolo, gli interruttori del contattore alimentano il motore, consentendo all'operatore di cambiare la direzione di rotazione del tamburo del verricello. *** Il contattore dell'argano AXON è integrato con il motore dell'argano.**

Presenza del comando a distanza

(Verricello AXON):

La presa remota è dove l'operatore inserisce il telecomando con cavo per controllare l'argano.

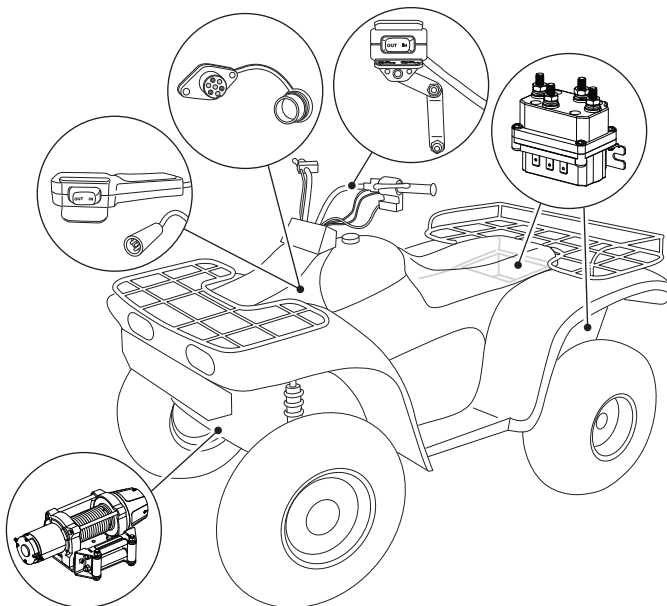
FAMILIARIZZARE CON I COMPONENTI



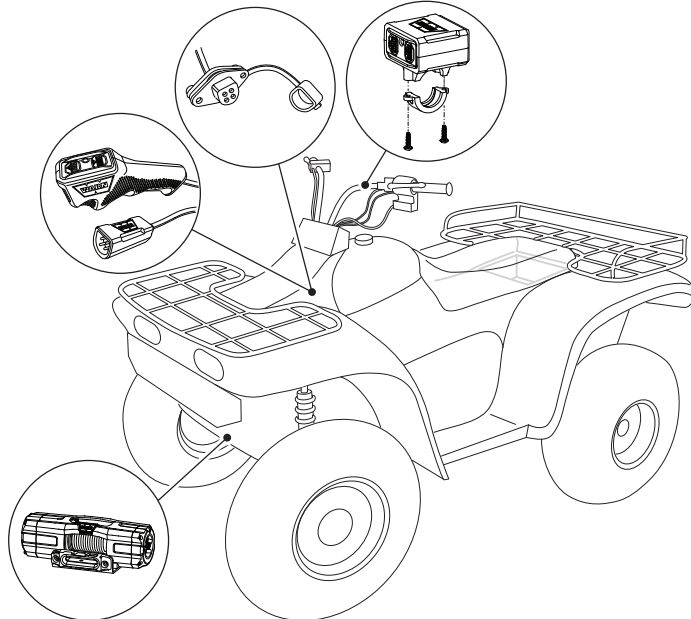
PRIMA DI INIZIARE, leggere attentamente tutte le istruzioni e le informazioni sulla sicurezza prima di installare e utilizzare il verricello.

FASE 1: INDIVIDUAZIONE DELLE POSIZIONI DI MONTAGGIO

VRX



AXON



MONTAGGIO

FASE 2: MONTAGGIO DEL VERRICELLO

AVVERTENZA Scegliere sempre una posizione di installazione sufficientemente resistente da sostenere la capacità massima di trazione del verricello.

AVVERTENZA Posizionare sempre il passacavo con l'etichetta di avvertenza ben visibile e leggibile in alto.

AVVERTENZA Utilizzare sempre attrezzature di montaggio di classe 8,8 (grado metrico 5) o superiore.

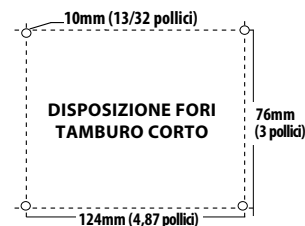
AVVERTENZA Non saldare mai i bulloni di montaggio.

AVVERTENZA Confermare sempre la lunghezza dei bulloni necessaria per garantire una presa di avvitamento adeguata.

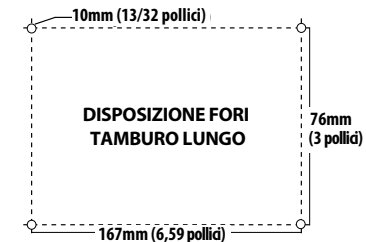
AVVERTENZA Completare sempre l'installazione del verricello e fissare bene il gancio prima di collegare i cavi.

MONTAGGIO DEL VERRICELLO

VRX 25 / 35 - AXON 35

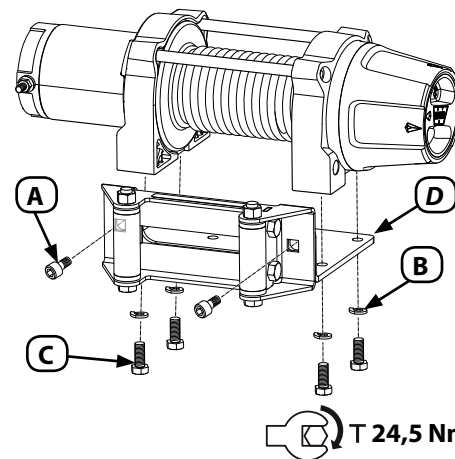


VRX 45 - AXON 45 / 55

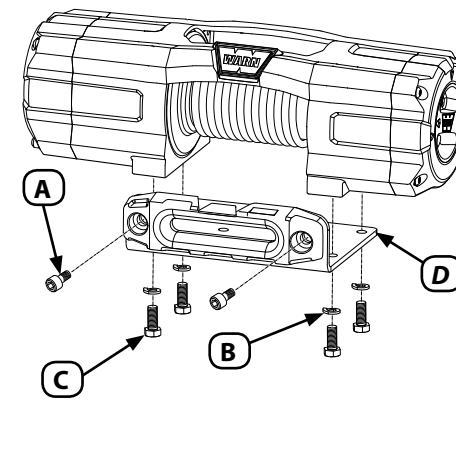


Articolo	Q.tà	Descrizione
A	2	M10 x 15
B	4	M8
C	4	M8 x 1.25 x 25
D	1	VENDUTO SEPARATEMENTE

VRX



AXON

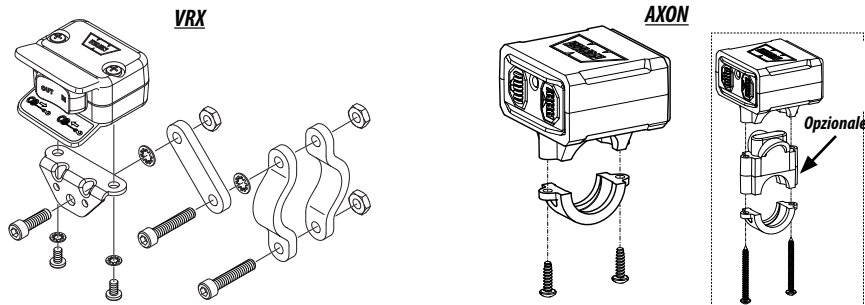


FASE 3: MONTAGGIO DELL'APPARECCHIATURA DA REMOTO

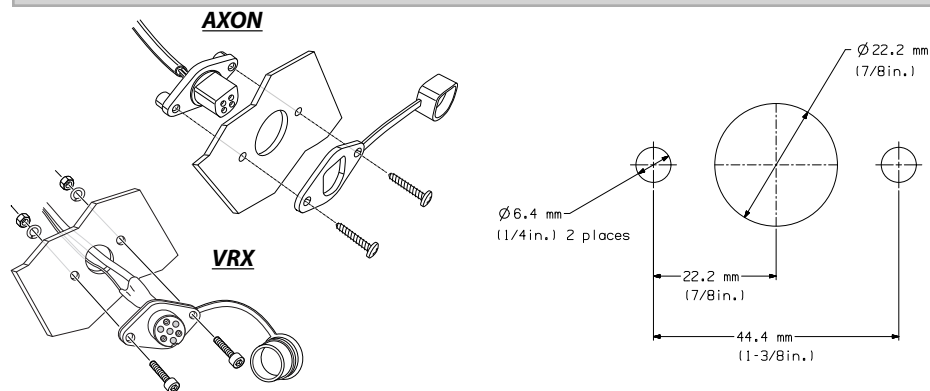
1. Scollegare i cavi della batteria del veicolo, iniziando dal terminale negativo. Ogni fase di lavoro che richiede l'utilizzo di cavi e conduttori elettrici deve essere eseguita con la batteria completamente scollegata dai fili del veicolo.

⚠ AVVERTENZA PER EVITARE LESIONI PERSONALI E DANNI A OGGETTI: Prestare attenzione quando si spostano o riposizionano i comandi del veicolo al fine di non comprometterne il funzionamento sicuro. Scegliere una posizione di montaggio che lasci spazio sufficiente per tutti i comandi del veicolo. Prima di fissare il cavo dell'interruttore con fascette di legatura, assicurarsi che non intralci il movimento del manubrio.

MONTAGGIO DELL'INTERRUTTORE SUL MANUBRIO

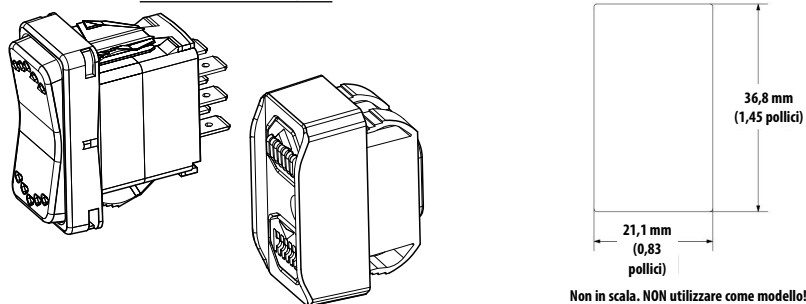


MONTAGGIO DELLA PRESA DEL COMANDO A DISTANZA



MONTAGGIO DELL'INTERRUTTORE SUL CRUSCOTTO

VRX 45 - AXON 45 / 55



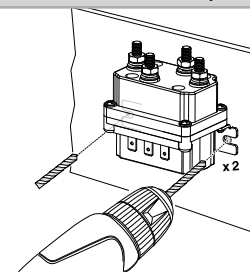
Non in scala. NON utilizzare come modello!

FASE 4: MONTAGGIO DEL CONTATTORE (solo verricello VRX)

⚠ AVVERTENZA Non montare mai il contattore con i terminali elettrici a contatto con oggetti metallici.

⚠ AVVERTENZA Verificare sempre che l'area in cui verranno praticati i fori sia distante dalle tubature del carburante, dal serbatoio del carburante, dalle tubature del freno, dai conduttori elettrici, ecc.

MONTAGGIO DEL CONTATTORE (solo verricello VRx)



FASE 5: CABLAGGIO DELL'APPARECCHIATURA

⚠ AVVERTENZA Togliersi sempre i gioielli e indossare occhiali di protezione prima di collegare la batteria.

⚠ AVVERTENZA Non fare mai passare i cavi elettrici attraverso o in prossimità di parti in movimento.

⚠ AVVERTENZA Isolare e proteggere sempre tutti i cavi e i terminali elettrici esposti.

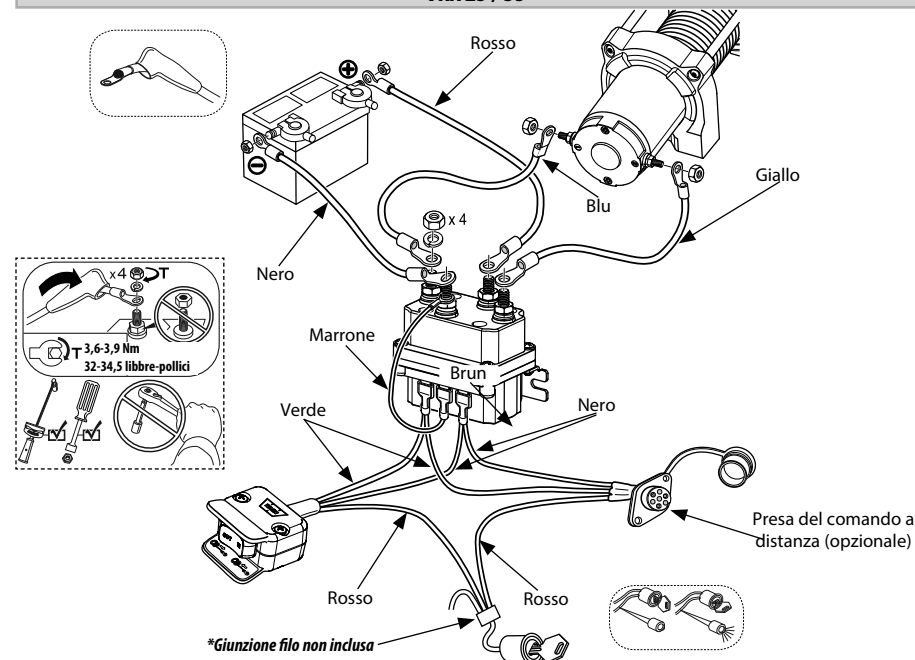
⚠ AVVERTENZA Posizionare sempre gli elementi di protezione (forniti in dotazione) su cavi e terminali.

⚠ AVVERTENZA Non posizionare mai i cavi elettrici contro spigoli vivi.

⚠ AVVERTENZA Non fare mai passare i cavi elettrici in prossimità di componenti che possono surriscaldarsi.

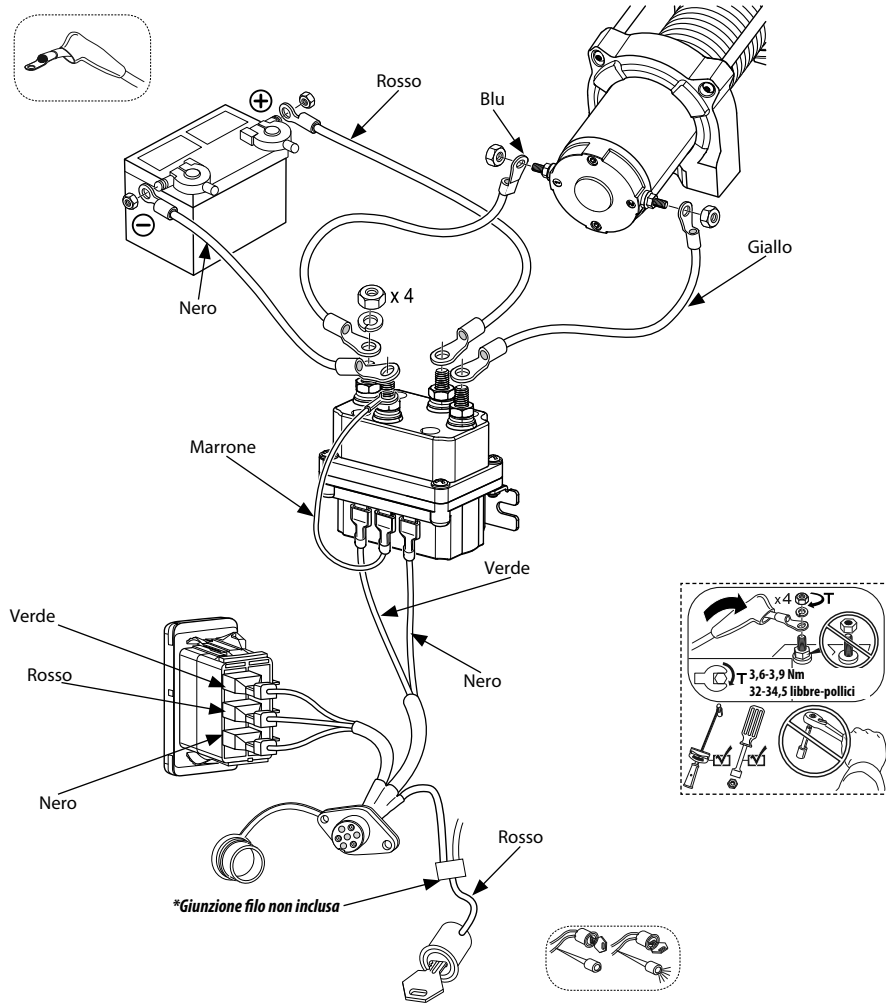
⚠ AVVERTENZA Non posizionare mai i cavi elettrici sui terminali della batteria.

VRX 25 / 35



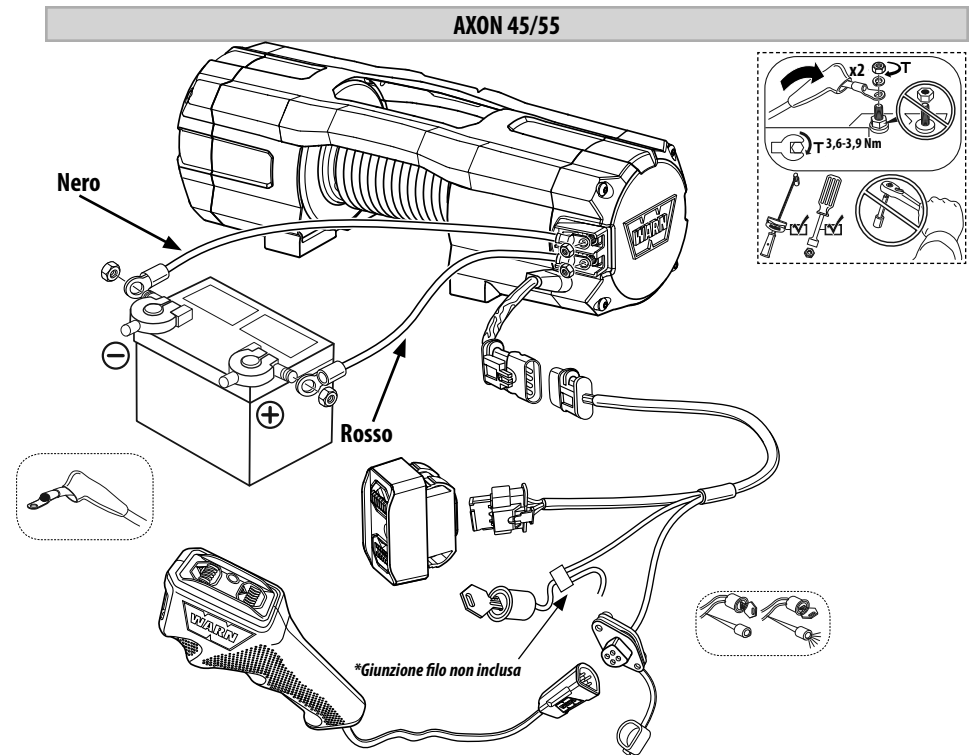
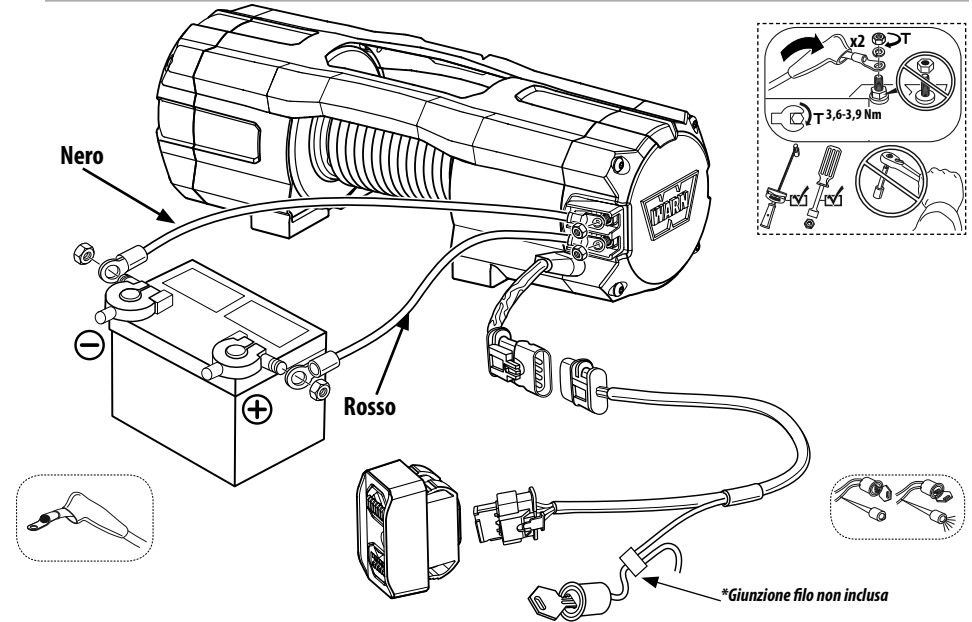
CONNESSIONI ELETTRICHE

VRX 45



CONNESSIONI ELETTRICHE

AXON 35



Fase 3: Controllo del sistema

AVVERTENZA Collegare sempre il cavo di alimentazione rosso (+) SOLO al terminale positivo (+) della batteria.

AVVERTENZA Collegare sempre il cavo di terra nero (-) SOLO al terminale negativo (-) della batteria.

Eseguire il controllo del sistema:

1. Controllare i dispositivi di fissaggio e verificare che siano stretti al valore di coppia (serraggio) corretto.
2. Verificare che il cablaggio elettrico di tutti i componenti sia corretto e che tutte le connessioni siano ben serrate.
3. Verificare che non siano presenti cavi esposti, isolamenti o terminali danneggiati.
4. Leggere completamente la Guida di base per le tecniche di sollevamento con verricello prima di utilizzare il verricello (www.warn.com).

Dopo il controllo del sistema, è possibile procedere con le Istruzioni per l'uso al primo utilizzo.

Fase 4: Istruzioni per il primo utilizzo

In questa sezione, forniremo le istruzioni per il primo utilizzo del verricello per un funzionamento di base efficiente. Per un funzionamento ottimale del verricello e per apprendere tutte le relative tecniche, leggere la Guida di base per le tecniche di sollevamento con verricello, disponibile online all'indirizzo www.warn.com.

AVVERTENZA Non usare mai il verricello come paranco o per sospendere un carico.



AVVERTENZA Non usare mai per sollevare o trasportare persone.

**Comando a distanza:**

AVVERTENZA Tenere sempre il cavo del comando a distanza e il cavo di alimentazione lontani dal tamburo, dalla fune e dall'allestimento della fune. Verificare che non ci siano conduttori tagliati, pinzati o sfrangiati o connessioni allentate. Sostituire i componenti danneggiati prima dell'uso.

AVVERTENZA Non lasciare mai il comando a distanza in una posizione in cui possa essere attivato accidentalmente.

AVVERTENZA Non lasciare mai il comando a distanza del verricello inserito durante l'installazione, lo svolgimento libero, l'allestimento della fune, la manutenzione o quando il verricello non è in uso.

Il comando a distanza permette il controllo della rotazione per svolgimento (in avanti) e avvolgimento (indietro) del tamburo di avvolgimento.

Non lasciare il comando a distanza inserito nel verricello quando questo non è in uso. Il comando a distanza inserito potrebbe dare origine ad attivazione accidentale e/o esaurimento della batteria.

Funzionamento della frizione:

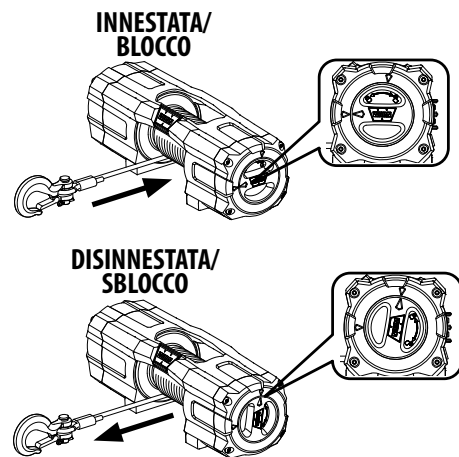
AVVERTENZA Non innestare o disinnestare mai la frizione quando il verricello è sotto carico, la fune è in tensione o il tamburo è in movimento.

AVVISO Accertarsi sempre che la frizione sia completamente innestata o disinnestata durante l'uso del verricello.

La leva della frizione è collocata sull'alloggiamento del verricello di fronte al motore e consente di controllare la posizione della frizione. Per evitare danni, è sempre necessario innestare o disinnestare completamente la leva della frizione.

Quando la frizione è innestata, l'ingranaggio è accoppiato con il tamburo del verricello ed è possibile trasferire potenza dal motore del verricello.

Quando la frizione è disinnestata si trova in posizione di avvolgimento libero; l'ingranaggio e il tamburo della fune metallica non sono accoppiati, e il tamburo può ruotare liberamente.

**Svolgimento**

AVVERTENZA Non azionare mai il verricello con meno di 5 giri di fune del verricello attorno al tamburo. La corda potrebbe staccarsi dal tamburo.

AVVERTENZA Tenere sempre le mani lontano dalla fune, dall'anello di aggancio, dal gancio e dall'apertura della guida, durante l'installazione e l'utilizzo e in fase di svolgimento o avvolgimento della fune.



AVVERTENZA Indossare sempre robusti guanti da lavoro quando si maneggia la fune del verricello.



Lo svolgimento libero è in genere il modo più rapido e più facile per svolgere la fune del verricello. Prima di svolgere liberamente la fune dal verricello, svolgere a motore la fune quanto basta per eliminare la tensione presente. Disinnestare la frizione. A questo punto, svolgere a mano la fune necessaria per l'operazione di sollevamento con il verricello. Per ulteriori informazioni, consultare la Guida di base per le tecniche di sollevamento con verricello disponibile online all'indirizzo:

www.warn.com.

AVVISO Se si svolge una fune a motore per più di 9 metri (30 piedi), LASCIARE RAFFREDDARE il verricello per 20 minuti prima di avvolgerla di nuovo. In alternativa, mettere la frizione in posizione di svolgimento libero e svolgere la fune a mano.

AVVERTENZA Durante lo svolgimento e l'avvolgimento utilizzare sempre la cinghia del gancio in dotazione.

**Avvolgimento sotto carico**

AVVERTENZA Non superare mai la capacità nominale del verricello o della corda.

AVVERTENZA Conosci sempre il limite di carico di lavoro (WLL) della tua corda.

AVVERTENZA Non superare mai il peso massimo della corda o il carico d'urto di questa corda.

Azionare la fune del verricello avvolgendola sul tamburo in modo uniforme e serrato. Ciò impedisce agli strati più esterni di fune avvolta di esercitare una tensione su quelli più interni, piegando e danneggiando la fune del verricello.

Evitare carichi a strappo durante lo svolgimento, accendendo e spegnendo a intermittenza l'interruttore di comando per eliminare eventuali allentamenti della fune del verricello. I carichi a strappo possono superare anche di molto i valori nominali del verricello e della fune metallica.

Avvolgimento senza carico

AVVERTENZA Non toccare mai la fune o il gancio mentre qualcun altro aziona l'interruttore di comando, se la corda del verricello è sotto carico o durante l'utilizzo del verricello.

Avvolgimento con un assistente: chiedere alla persona che assiste di tenere la cinghia del gancio applicando la tensione più uniforme possibile sulla fune del verricello. Mantenendo la tensione, la persona che assiste deve avvicinarsi al verricello mentre l'operatore aziona l'interruttore di comando per avvolgere la fune. Rilasciare l'interruttore quando il gancio si trova a un minimo di 2 m (6 piedi) dall'apertura della guida.

Avvolgere il resto della fune per il rimessaggio come descritto di seguito.

Avvolgimento da soli: disporre la fune che deve essere avvolta in modo che essa non si attorcigli o aggrovigli durante l'avvolgimento. Accertarsi che la fune sul tamburo sia ben serrata e disposta a strati uniformi. Avvolgere una lunghezza di fune sufficiente a completare tutto lo strato successivo sul tamburo. Stringere e spianare lo strato. Ripetere il procedimento finché il gancio non si trova a un minimo di 2 m (6 piedi) dall'apertura della guida.

Avvolgimento del resto della fune per il rimessaggio

Quando il gancio si trova almeno a 2 m (6 piedi) dalla guida, disancorare il gancio dall'ancoraggio o dal carico. Tenere la cinghia del gancio in dotazione e mantenere la tensione sulla fune. Avvolgere lentamente accendendo e spegnendo a intermittenza il comando a distanza finché il gancio non sarà a 1 m (3 piedi) dalla guida.

Interrompere l'avvolgimento e fissare il gancio in un punto di ancoraggio adatto sul veicolo.

AVVISO Non avvolgere fino al punto in cui il gancio entra nella guida. In questo modo si rischia di danneggiare la guida.

Quando il gancio è agganciato in modo opportuno sul veicolo, avvolgere il tratto di fune rimanente azionando il comando a distanza a intermittenza finché non rimane un minimo di lasco sulla fune del verricello.

Sovraccarico/surriscaldamento

AVVERTENZA Essere sempre consapevoli della possibilità che ci siano superfici bollenti sul motore del verricello, sul tamburo o sulla fune, durante o dopo l'uso del verricello.

Questo verricello è indicato per un utilizzo discontinuo. Quando il motore si avvicina alla velocità di stallo, si verifica un accumulo di calore molto rapido che può danneggiare il motore.

L'allestimento a doppia linea (vedere la Guida di base per le tecniche di sollevamento con verricello) riduce l'assorbimento di corrente e l'accumulo di

calore nel motore. Ciò consente un uso continuativo prolungato.

Limitatore di carico (verricelli AXON)

AVVERTENZA Non innestare o disinnestare mai la frizione quando il verricello è sotto carico, la fune è in tensione o il tamburo è in movimento.

AVVERTENZA Non toccare mai la fune o il gancio quando è sotto tensione o sotto carico.

Il superamento della capacità del verricello AXON comporta l'attivazione del limitatore di carico che scollega il motore dall'alimentazione, per evitare il surriscaldamento e possibili danni al motore. Al 50% della capacità di trazione, l'indicatore remoto diventa giallo. Al 75% della capacità di trazione, l'indicatore remoto diventa arancione. Al 90% della capacità di trazione, l'indicatore remoto diventa rosso. Quando viene superata la capacità di trazione, il limitatore di carico fa lampeggiare in rosso l'indicatore remoto e il motore AXON si arresta. In questo caso, è necessario rilasciare il carico svolgendo la fune metallica. Una volta attivatosi il limitatore di carico, il verricello non può essere riavvolto finché il limitatore di carico non viene resettato mediante lo svolgimento. Non tentare di applicare lo stesso carico dopo l'attivazione del limitatore, in quanto ciò potrebbe danneggiare il verricello. Se il limitatore di coppia non si reimposta, è necessario rivolgersi a un centro di assistenza autorizzato.

Se il limitatore di coppia continua ad attivarsi, attenersi alla seguente procedura:

1. Ridurre il peso del carico.
2. Aumentare la distanza del punto di ancoraggio. La portata massima di trazione si verifica dal primo strato di fune avvolta sul tamburo. L'aumento della distanza tra il verricello e il punto di ancoraggio porta alla riduzione degli strati di fune sul tamburo, con un conseguente aumento della forza di trazione.

STIRAMENTO DELLA FUNE DEL VERRICELLO

AVVERTENZA Stirare sempre la fune e riavvolgerla sotto carico prima dell'uso.

AVVERTENZA Ispezionare sempre la fune del verricello, il gancio e le imbragature prima di usare il verricello. Una fune sfrangiata, piegata o danneggiata deve essere sostituita immediatamente. Sostituire i componenti danneggiati prima dell'uso. Proteggere le parti da eventuali danneggiamenti.

Lo stiramento (messa in tensione) della fune è essenziale per la lunga durata del prodotto. La

messa in tensione della fune evita che gli strati più esterni della fune del verricello schiaccino e deformino quelli più interni.

Durante il primo utilizzo di una fune nuova, questa deve essere avvolta sul tamburo con un carico minimo di 226 kg (500 libbre).

Per tendere correttamente la fune sul tamburo del verricello, seguire le istruzioni.

AVVERTENZA Indossare sempre robusti guanti da lavoro quando si maneggia la fune del verricello.

1. Scegliere una zona PIANEGGIANTE che sia abbastanza grande da consentire lo svolgimento della fune per quasi tutta la sua lunghezza.
2. Disinnestare la frizione.

AVVERTENZA Tenere sempre le mani lontano dalla fune, dall'anello di aggancio, dal gancio e dall'apertura della guida durante l'installazione e l'utilizzo e in fase di svolgimento o avvolgimento della fune.

3. Afferrare la cinghia del gancio e svolgere la fune del verricello finché non rimangono 5 giri di fune sul tamburo.
4. Verificare sempre che la fune si avvolga dalla base del tamburo, altrimenti il freno automatico di tenuta del carico non funzionerà correttamente. *NOTA: Se la fune si avvolge dall'alto del tamburo, è stata selezionata la funzione di svolgimento e non quella di avvolgimento. Verificare che la fune sia in avvolgimento.*

AVVERTENZA Avvolgere sempre la fune del verricello alla base (dal lato di fissaggio) del tamburo. 

AVVISO Per garantire il funzionamento corretto del freno del verricello, la fune del verricello deve essere avvolta sul tamburo nella direzione specificata. *Vedere decalcomania di rotazione del tamburo presente sul verricello.

5. Dopo aver svolto la fune, innestare la frizione.

AVVERTENZA Accertarsi sempre che l'elemento di chiusura sia impegnato. 

AVVERTENZA Applicare sempre il carico solo sulla parte centrale del gancio.

AVVERTENZA Non porre mai il carico sulla punta del gancio e non utilizzare un gancio piegato o torto.

6. Fissare l'estremità con gancio della fune a un punto di ancoraggio adatto.

AVVERTENZA Rimuovere sempre eventuali ostacoli che potrebbero interferire con l'uso del verricello in condizioni di sicurezza.

AVVERTENZA Non avvolgere mai la fune del verricello su se stessa. Utilizzare una catena di aggancio o una cinghia sull'ancoraggio. 

AVVERTENZA Accertarsi sempre che il punto di ancoraggio scelto sia in grado di sopportare il carico che la cinghia o la catena usate non scivolino.

7. Tornare al veicolo.
8. Spostare indietro il veicolo allontanandosi dal punto di ancoraggio finché la fune abbia pochissimo lasco.
9. Innestare il freno di stazionamento e mettere il cambio in marcia o in posizione di parcheggio e spegnere il motore.

AVVERTENZA Quando si usa il verricello, tenersi sempre distanti dalla fune e dal carico, e assicurarsi che anche gli altri stiano lontani.

10. Uscire dal veicolo. **AVVERTENZA! Non uscire mai dal veicolo con la fune del verricello sotto carico.** Rimanendo a circa 2,44 m (8 piedi) di distanza dal verricello, azionare il verricello finché tutto il lasco della fune non si avvolge sul tamburo.

AVVERTENZA Non toccare mai la fune o il gancio mentre qualcun altro aziona l'interruttore di comando, se la corda del verricello è sotto carico o durante l'utilizzo del verricello.

AVVERTENZA Non fare mai scivolare la fune tra le mani.

11. Indossando i guanti, tenere in tensione la fune con una mano e, facendo attenzione, spostare la fune sul lato del tamburo a cui è collegata in modo che non ci siano spazi tra i giri di fune sul tamburo.
12. Per ragioni di sicurezza, i passaggi seguenti dovrebbero essere eseguiti da due persone. Se si cerca di mettere in tensione la fune da soli, verificare sempre che sia stato innestato il freno di stazionamento, che il cambio sia in marcia o in posizione di parcheggio e che il motore sia spento ogni volta che si esce dal veicolo per ispezione della fune. **AVVISO** Per evitare danni alla fune metallica verificare che ciascuno strato si avvolga in modo uniforme.
13. Il verricello deve essere azionato dal conducente del veicolo.
14. Chiedere al proprio assistente di tenersi

a lato del veicolo e lontano dalla fune del verricello. *NOTA: L'assistente dovrebbe segnalare all'operatore se la fune del verricello si sta avvolgendo correttamente o meno controllandola, mentre passa attraverso la guida, mano a mano che viene avvolta.*

15. Avviare il veicolo e posizionare il cambio in folle. Quindi, disinnestare il freno di stazionamento e premere leggermente il pedale del freno.
16. Azionare la fune del verricello avviando l'operazione di avvolgimento.
17. Dopo aver avvolto circa 2 m (6 piedi) di fune, interrompere l'attività.
18. Rilasciare lentamente la pressione sul pedale del freno e innestare il freno di stazionamento. In questo modo, la fune del verricello non sarà sotto carico.
19. Mettere il cambio in posizione di parcheggio o in marcia e spegnere il motore.
20. Uscire dal veicolo e ispezionare il verricello per verificare che la fune si avvolga sul tamburo in modo uniforme e che non si trovi nello strato inferiore. Se la fune si trova nello strato inferiore, svolgere premendo il pulsante di svolgimento sul comando a distanza e ripetere le operazioni precedenti dall'inizio applicando una maggiore pressione sul pedale del freno.
21. Quando si è sicuri che la fune si sta avvolgendo correttamente sul tamburo, ripetere la procedura sino a quando il veicolo non sarà almeno a 2 m (6 piedi) dal punto di ancoraggio del verricello. Se ci si trova ad almeno 2 m (6 piedi) di distanza, rilasciare lentamente la pressione sul pedale del freno e innestare il freno di stazionamento. In questo modo, la fune del verricello non sarà sotto carico. Quindi, mettere il cambio in posizione di parcheggio o in marcia e spegnere il motore.
22. Uscire dal veicolo. Staccare il gancio dal punto di ancoraggio.
23. Tenendo in mano la cinghia del gancio, mantenere la tensione sulla fune del verricello e avvolgere lentamente azionando a intermittenza il pulsante di avvolgimento sul comando a distanza, finché il gancio non sarà a 1 m (3 piedi) di distanza dalla guida.
24. Interrompere l'avvolgimento e fissare il gancio in un punto di ancoraggio adatto sul veicolo.
25. Quando il gancio è opportunamente fissato sul veicolo, avvolgere il tratto di fune rimanente azionando a intermittenza il pulsante di

MANUTENZIONE FUNE SINTETICA

avvolgimento sul comando a distanza finché non rimane un minimo di lasco sulla fune del verricello.

AVVISO Non avvolgere fino al punto in cui il gancio entra nella guida. In questo modo si rischia di danneggiare la guida.

ALLESTIMENTO DELLA FUNE

Per le informazioni di base complete sull'allestimento della fune, consultare la Guida di base per le tecniche di sollevamento con verricello, disponibile online all'indirizzo: www.warn.com.

Manutenzione fune sintetica:

Pulizia:

- Per pulire la fune sintetica utilizzare acqua a pressione ridotta. Non utilizzare prodotti chimici.
- Non dirigere getti d'acqua ad alta pressione (impianti di lavaggio a pressione, lavaggio veicoli, ecc.) direttamente tra il supporto del tamburo e la sua flangia o la leva della frizione.
- Per pulire il verricello, usare acqua a bassa pressione e uno straccio o una spugna insaponati.
- Evitare l'uso di agenti chimici che potrebbero danneggiare la finitura.
- Per ridurre al minimo la corrosione, pulire il verricello eliminando completamente e nel più breve tempo possibile eventuali residui salini.

Ispezione della fune:

AVVERTENZA Ispezionare sempre la fune del verricello, il gancio e le imbragature prima di usare il verricello. Una fune sfrangiata, piegata o danneggiata deve essere sostituita immediatamente. Sostituire i componenti danneggiati prima dell'uso. Proteggere le parti da eventuali danneggiamenti.

Quando la si usa per la prima volta, i filamenti esterni della fune si speleranno abbastanza in fretta. come risultato della rottura di tali filamenti e la ruvidità della superficie proteggerà le fibre sottostanti. Questa condizione dovrebbe stabilizzarsi e non peggiorare. Se la ruvidità della superficie aumenta, significa che è presente un'abrasione eccessiva con conseguente perdita di forza della fune.

Osservare attentamente sia le fibre interne che quelle esterne. Quando le une o le altre sono consumate la fune è ovviamente indebolita. Allargare i trefoli e guardare se ci sono fibre polverizzate: questo è un segno di logoramento interno.

Aree decolorate potrebbero indicare l'azione di agenti chimici quali olio degli ingranaggi o acido della batteria. In caso di dubbi, interrompere sostituire la fune.

La fune deve essere sostituita quando:

- Lo spessore della fune in qualsiasi punto della lunghezza è ridotto del 10% o più a causa di abrasione.
- Due o più trefoli adiacenti sono troncati.
- Sono presenti appiattimenti o protuberanze che non possono essere eliminati semplicemente flettendo la fune.
- Sono presenti troppe fibre fuse tra loro o saldate. Questi punti saranno rigidi e la fune avrà un aspetto vitreo.



• Fune di volume normale.



• Fune che mostra una riduzione di volume dei trefoli del 25% dovuta ad abrasione: la fune dovrebbe essere sostituita



• Trefoli di fune a pieno volume.



• Trefoli di fune ridotti del 25% da abrasione: la fune dovrebbe essere sostituita.



• La fune mostra un assestamento di fibre dovuto a compressione. Si vede una leggera lucentezza. Questa non è una condizione permanente e può essere eliminata flettendo la fune.



• La fune mostra due trefoli adiacenti tagliati: la fune dovrebbe essere sostituita.



MANUTENZIONE E ANALISI FINALE

Controllo	Prima del primo utilizzo	Dopo ogni uso	Ogni 90 giorni
Per comprendere il verricello e il suo funzionamento, dedicare il tempo necessario alla lettura del Manuale operativo e/o delle Istruzioni e/o della Guida di base per le tecniche di sollevamento con verricello.	X		
Controllare i dispositivi di fissaggio e verificare che siano stretti al valore di coppia corretto. Sostituire i dispositivi di fissaggio danneggiati.	X		X
Verificare i conduttori di tutti i componenti e accertarsi che tutte le connessioni siano serrate.	X		X
Verificare che non siano presenti cavi esposti, isolamenti di cavi o terminali danneggiati (sfregamento/usura). Coprire le parti esposte con protezioni da terminali. Riparare o sostituire i cavi elettrici danneggiati.	X		X
Ispezionare la fune del verricello, il gancio, la guaina di protezione termica e le imbragature. Una fune sfrangiata, piegata o danneggiata deve essere sostituita immediatamente. Sostituire i componenti danneggiati prima dell'uso.	X	X	X
Mantenere il verricello, la fune e il comando dell'interruttore privi di contaminanti. Usare uno straccio o un asciugamano pulito per rimuovere qualsiasi traccia di sporco e detriti.		X	
Se il verricello viene immerso in acqua: Svolgere e avvolgere la fune del verricello per circa 9 m (30 piedi). Per asciugare il verricello seguire la procedura "Stiramento della fune del verricello".	X	X	

Dedicare il tempo necessario per conoscere a fondo il verricello e il suo funzionamento studiando la Guida di base alle tecniche di sollevamento con verricello, disponibile online all'indirizzo:

www.warn.com

Per ulteriori informazioni o eventuali domande, contattare:

WARN INDUSTRIES, INC.

12900 S.E. Capps Road, Clackamas

OR USA 97015-8903, 1-503-722-1200,

Servizio assistenza clienti: 1-800-543-9276

Servizio di ricerca rivenditori locali: 1-800-910-1122

O visitare www.warn.com.



WARN® Garanzia Internazionale del prodotto

Warn Industries, Inc. (WARN) garantisce che i prodotti venduti al di fuori degli Stati Uniti e il Canada sono privi di difetti nei materiali e nella lavorazione attraverso Warn Distributori e Rivenditori Autorizzati locali.

Tutte le richieste di garanzia al di fuori degli Stati Uniti e in Canada per WARN® i prodotti devono essere indirizzate al seguente luogo di Retailer vendite.

Per trovare il rivenditore più vicino alla propria posizione si prega di visitare il nostro sito web <http://www.warn.com/corporate/dealerlocator.jsp> o contattarci al 1-503-722-1200 o 1-503-722-3000 (Fax) .

I dettagli specifici della garanzia possono variare in base alle leggi e alle normative locali.

Questa garanzia è valida solo per l'acquirente originale dei Prodotti. Per ottenere qualsiasi servizio di garanzia, è necessario fornire la prova di acquisto, come ad esempio una copia della ricevuta di acquisto. Questa garanzia non copre la rimozione o la reinstallazione del prodotto. Avvertono sarà, a sua discrezione, riparare, sostituire o rimborsare il prezzo di acquisto di un prodotto o di un componente difettoso, a condizione di restituire il prodotto difettoso o di un componente durante il periodo di garanzia, spese di trasporto prepagate, ad un centro di assistenza autorizzato. Collega il tuo nome, indirizzo, numero di telefono, una descrizione del problema, e una copia della ricevuta e fattura di vendita originale recante il numero parte WARN del prodotto e data di acquisto difettoso.

Questa garanzia non è valida se il prodotto è stato danneggiato da incidente, abuso, uso improprio, collisioni, sovraccarichi, modifica, applicazione errata, errata installazione o manutenzione impropria. Questa garanzia è nulla se ogni WARN numero di serie o il codice della data del produttore è stato rimosso o reso illeggibile.

NON ESISTONO ALTRE GARANZIE, ESPRESSA O IMPLICITA, COMPRESE, MA NON SOLO, LE GARANZIE DI COMMERCIALIZZABILITÀ O IDONEITÀ PER UNO SCOPO PARTICOLARE.

AVVISO NON SARÀ RESPONSABILE PER DANNI PARTICOLARI, INDIRETTI, DIRETTI O INDIRETTI (INCLUSI, MA NON SOLO, PERDITA DI PROFITTI, DOWN TIME O PERDITA DI UTILIZZO) SOTTO QUALSIASI TEORIA LEGALE, ANCHE NEL CASO AVVISO STATO INFORMATO DELLA POSSIBILITÀ DI TALI DANNI.

WARN si riserva il diritto di modificare il design del prodotto senza preavviso. In situazioni in cui WARN ha cambiato un design del prodotto, WARN non avrà alcun obbligo di aggiornare o altrimenti modificare prodotti fabbricati in precedenza. No WARN rivenditore, agente o dipendente è autorizzato ad apportare modifiche, estensioni o aggiunte alla presente garanzia.

Richieste di garanzia e i prodotti restituiti per il servizio di garanzia devono essere inviati a:

WARN INDUSTRIES, INC. 12900 S.E. Capps Road,
Clackamas, OR USA 97015-8903, 1-503-722-1200, FAX: 1-503-722-3000
Servizio clienti: 1-800-543-9276
Servizio di localizzazione dei rivenditori: 1-800-910-1122
Fax internazionale: 1-503-722-3000
www.warn.com

INSTRUÇÕES ORIGINAIS

VRX e AXON™ Manual do operador do guincho



Este material fornece importantes informações e instruções de segurança sobre como operar o guincho. É importante ler **TODAS** as instruções e informações de segurança **ANTES** de instalar e operar o seu guincho.

Durante a leitura destas instruções, irá visualizar **ADVERTÊNCIAS, CUIDADOS, AVISOS** e **OBSERVAÇÕES**. O não cumprimento destas instruções pode causar ferimentos graves ou morte. **ADVERTÊNCIAS** são mensagens de segurança que indicam uma situação possivelmente perigosa que, se não for evitada, pode causar ferimentos graves ou morte. **CUIDADOS** são mensagens de segurança que indicam uma situação possivelmente perigosa que, se não for evitada, pode causar ferimentos leves ou moderados. **CUIDADOS** e **ADVERTÊNCIAS** identificam o tipo de risco, como evitar esse risco e informam sobre as possíveis consequências se o risco não for evitado. **AVISOS** são mensagens para evitar danos patrimoniais. **OBSERVAÇÕES** são informações adicionais para ajudar a concluir um procedimento. **TRABALHE DE MANEIRA SEGURA!**

GUARDE ESTE MANUAL e outros materiais de consulta do produto para referência futura e analise-os frequentemente para continuar a operação segura.
Oriente todos os usuários deste produto a analisar este manual antes de operá-lo.

Materiais de consulta do produto adicionais disponíveis online:

- **Manual básico sobre técnicas de uso de guinchos**
 - Proporciona uma compreensão básica do guincho e ensina os conceitos básicos das técnicas adequadas do seu uso. É uma ferramenta valiosa para ajudar a usar o guincho de maneira segura e eficiente.
- **Especificações e dados de desempenho do produto**
 - Fornece especificações, dados de desempenho e peças de reposição do produto.
- **Outros materiais de consulta específicos referentes a alguns produtos**

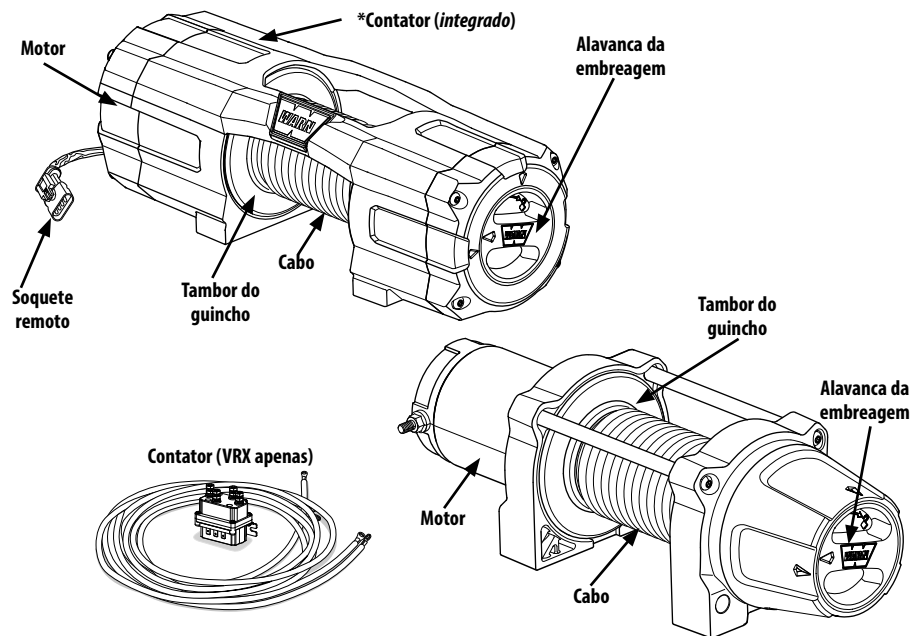
Acesse www.warn.com para visualizar/descarregar materiais de consulta adicionais ou de substituição disponíveis sobre o produto.

SUMÁRIO:

Conheça o guincho e os componentes	2-3
Montagem.....	4-5
Fiação elétrica	6-8
Instruções para a primeira operação.....	9-12
Cuidados do cabo sintético	13
Análise final e manutenção	14
Garantia.....	15

CONHEÇA O GUINCHO QUE ESTÁ USANDO

Para começar, familiarize-se com o guincho WARN® e com cada um dos seus componentes:



Motor: O motor do guincho é acionado pela bateria do veículo. O motor fornece energia para o mecanismo da engrenagem que gira o tambor do guincho e enrola o cabo do guincho.

Tambor do guincho: O tambor do guincho é o cilindro no qual a corda do guincho é alimentada. O tambor é acionado pelo motor e pelo trem de acionamento. Sua direção pode ser alterada usando o controle remoto.

Cabo do guincho: O diâmetro e o comprimento do cabo de aço são determinados pelo design e pela capacidade de carga do guincho. Enrolado em volta do tambor do guincho e alimentado através do cabo-guia, o cabo é enrolado na extremidade para aceitar o pino da forquilha do gancho.

O cabo sintético do guincho é feito com um material especial de polietileno molecular ultra leve e oferece excelente força de tensão. Ele é revestido com uretano de alta temperatura e equipado com um luva resistente ao calor na primeira camada, para maior proteção. A grande flexibilidade e o leve peso do cabo sintético facilitam seu manuseio em campo.

Alavanca da embreagem: A embreagem permite ao operador desengatar manualmente o tambor de enrolamento do trem de engrenagens, fazendo com que o tambor gire livremente (conhecido como "livre movimentação"). Engatar a embreagem "trava" o tambor do guincho novamente no trem de engrenagens.

Contator: Usando a energia elétrica da bateria do veículo, as chaves do contator do sistema de controle acionam o motor, permitindo ao operador mudar a direção da rotação do tambor do guincho. * O contator do guincho AXON é integrado ao motor do guincho.

Soquete remoto (Guincho AXON): O soquete remoto é onde o operador se conecta ao controle remoto com fio para controlar o guincho.

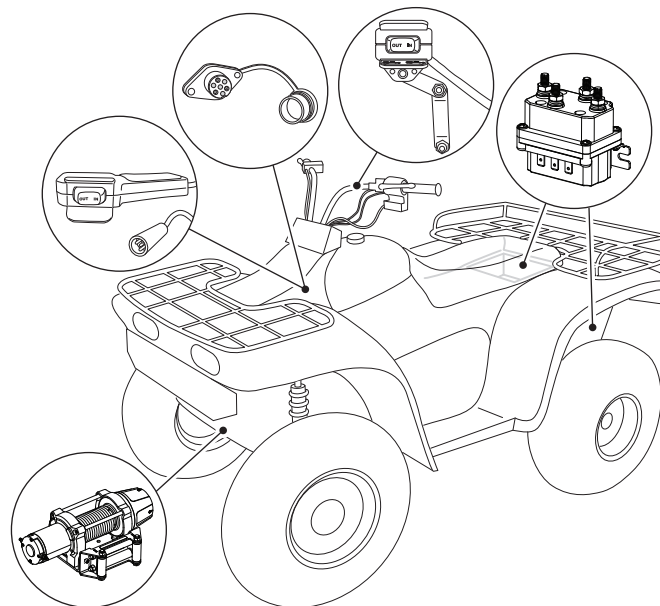
CONHEÇA OS COMPONENTES



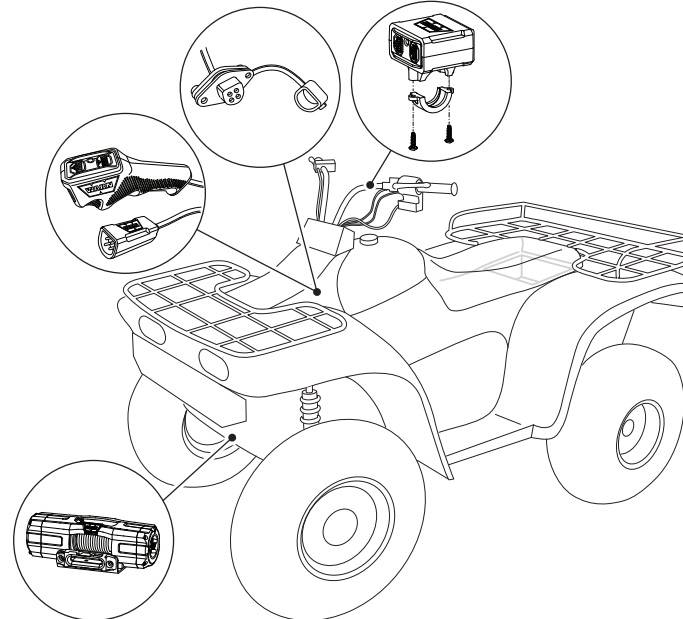
ANTES DE COMEÇAR, reserve um momento para ler completamente todas as instruções e informações de segurança antes de instalar e operar o guincho.

ETAPA 1: IDENTIFIQUE OS PONTOS DE MONTAGEM

VRX



AXON



MONTAGEM

ETAPA 2: MONTE O GUINCHO

⚠️ ADVERTÊNCIA Sempre escolha um local de montagem suficientemente resistente para suportar a capacidade máxima de tração do guincho.

⚠️ ADVERTÊNCIA Sempre posicione o cabo guia com a etiqueta de advertência na parte de cima.

⚠️ ADVERTÊNCIA Sempre use equipamento classe métrica 8.8 (grau 5) ou superior.

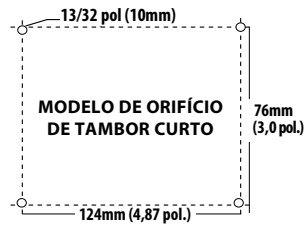
⚠️ ADVERTÊNCIA Nunca solde os parafusos de montagem.

⚠️ ADVERTÊNCIA Sempre confira o comprimento do parafuso exigido para garantir o engate adequado da rosca.

⚠️ ADVERTÊNCIA Sempre conclua a instalação do guincho e o engate do gancho antes da instalação da fiação.

MONTAGEM DO GUINCHO

VRX 25 / 35 - AXON 35

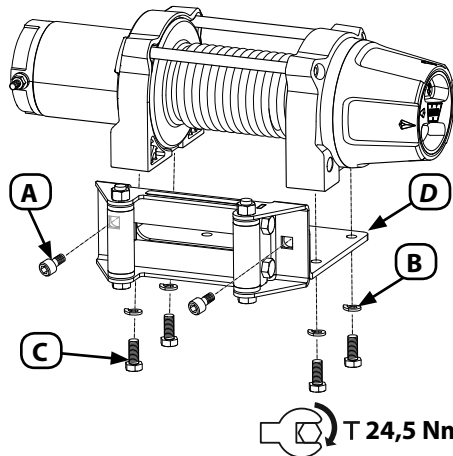


VRX 45 - AXON 45 / 55

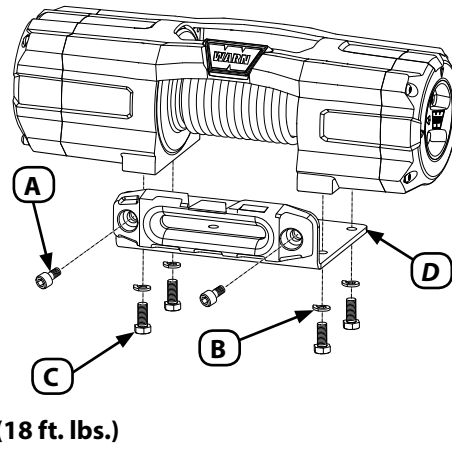


Item	Qtd	Descrição
A	2	M10 x 15
B	4	M8
C	4	M8 x 1.25 x 25
D	1	VENDIDO SEPARADAMENTE

VRX



AXON



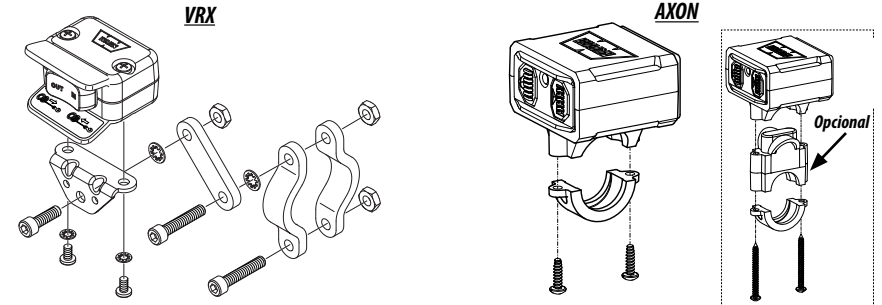
MONTAGEM

ETAPA 3: MONTE O EQUIPAMENTO REMOTO

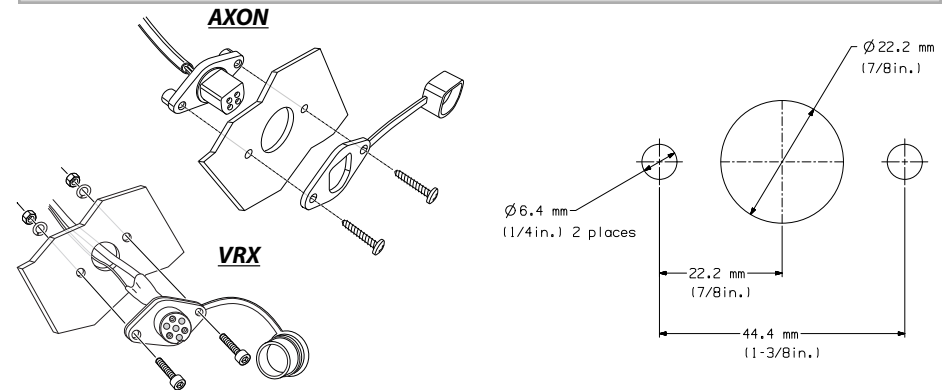
- Desconecte os cabos da bateria do veículo, começando com o polo negativo. Todo trabalho com fios e cabos elétricos deve ser feito com a bateria completamente desconectada da fiação do veículo.

⚠️ ADVERTÊNCIA PARA EVITAR LESÕES E DANOS MATERIAIS: Tome cuidado ao movimentar ou reposicionar os controles do veículo para não comprometer a operação segura do veículo. Selecione uma posição de montagem afastada de todos os controles do veículo. Antes de prender o cabo da chave com abraçadeiras, verifique se os guidons estão com toda a faixa de movimento.

MONTAGEM DA CHAVE DO GUIDOM

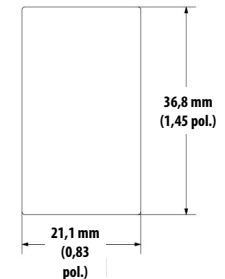
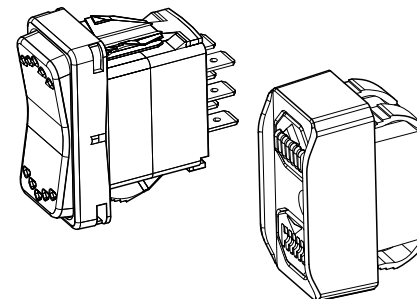


MONTAGEM DO SOQUETE REMOTO



MONTAGEM DA CHAVE DO PAINEL

VRX 45 - AXON 45 / 55



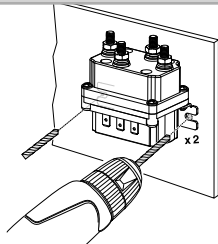
Não está em escala. NÃO use como modelo!

ETAPA 4: MONTE O CONTATOR (Guincho VRX apenas)

⚠️ ADVERTÊNCIA Nunca monte o contator com terminais elétricos tocando objetos de metal.

⚠️ ADVERTÊNCIA Sempre verifique, ao perfurar, se a área está livre de tubulação flexível de combustível, tanques de combustível, tubulação do freio, fiação elétrica, etc.

MONTAGEM DO CONTATOR (GUINCHO VRX apenas)



ETAPA 5: INSTALAÇÃO DA FIAÇÃO DO EQUIPAMENTO

⚠️ ADVERTÊNCIA Sempre retire joias e bijuterias e use proteção para os olhos quando estiver fazendo conexões de bateria.

⚠️ ADVERTÊNCIA Nunca passe cabos elétricos através de ou perto de peças móveis.

⚠️ ADVERTÊNCIA Sempre isole e proteja todos os terminais elétricos e fiações expostos.

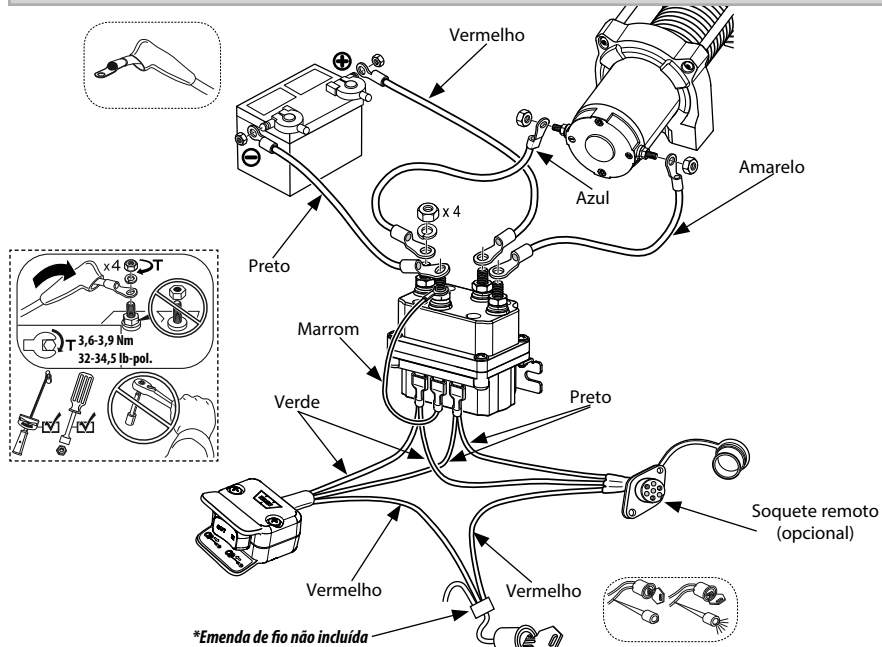
⚠️ ADVERTÊNCIA Sempre coloque as capas de terminal fornecidas nos fios e terminais.

⚠️ ADVERTÊNCIA Nunca passe cabos elétricos por superfícies afiadas.

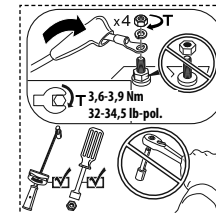
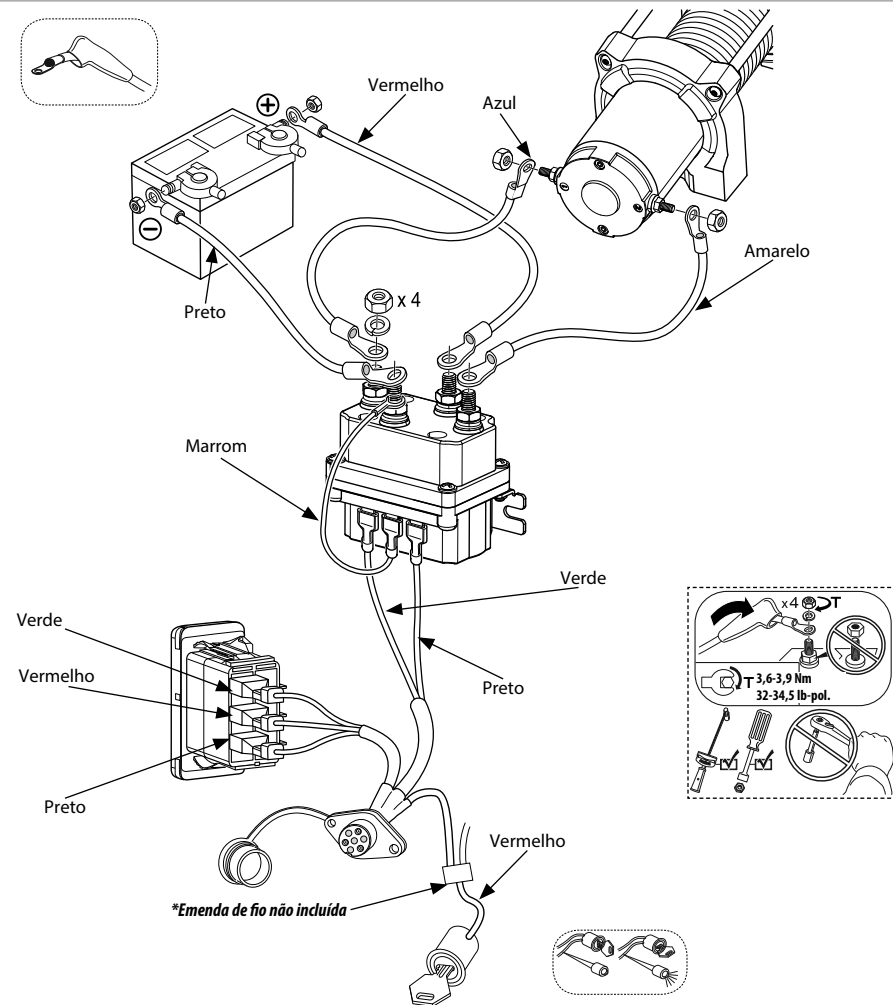
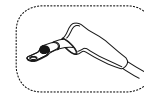
⚠️ ADVERTÊNCIA Nunca passe cabos elétricos perto de peças que esquentam.

⚠️ ADVERTÊNCIA Nunca passe os cabos elétricos sobre os terminais da bateria.

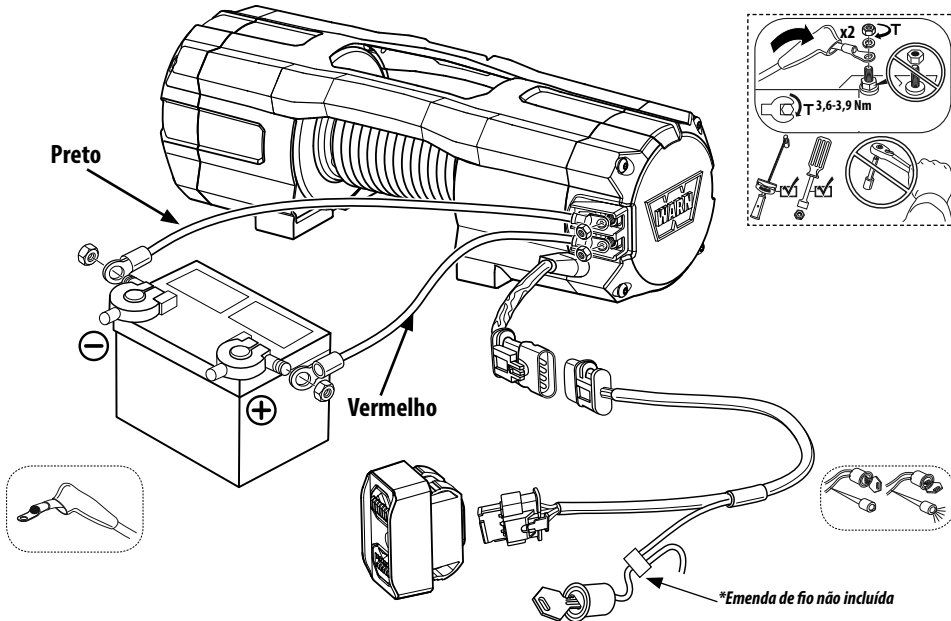
VRX 25 / 35



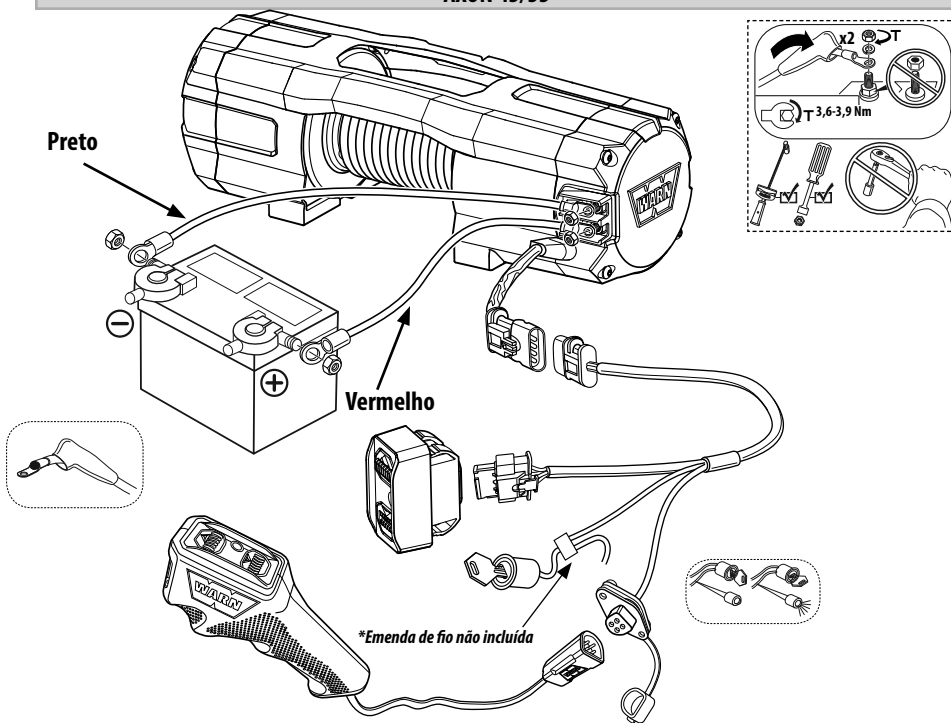
VRX 45



AXON 35



AXON 45/55



Etapa 3: Verificação do sistema

⚠️ ADVERTÊNCIA Sempre conecte o cabo de alimentação (+) vermelho **SOMENTE** no terminal positivo (+) da bateria.

⚠️ ADVERTÊNCIA Sempre conecte o cabo de alimentação (-) preto **SOMENTE** no terminal negativo (-) da bateria.

Faça a verificação do sistema:

1. Verifique os fixadores para que estejam firmes e com o aperto correto.
2. Verifique se toda a fiação elétrica de todos os componentes está correta e se as conexões estão firmes.
3. Verifique se há fios expostos/descascados, terminais ou isolamento de cabos danificados.
4. Leia todo o Manual básico sobre técnicas de uso de guinchos antes de operar o guincho (www.warn.com).

Depois de fazer uma verificação do sistema, você estará pronto para realizar as "Instruções para a primeira operação".

Etapa 4: Instruções para a primeira operação

Nesta seção, mostraremos a você as instruções para a primeira operação de uso básico eficiente do guincho. Para obter informações completas sobre operação e técnicas de uso do guincho, leia o Guia Básico de Técnicas de Operação de Guincho, encontrado online em www.warn.com.

⚠️ ADVERTÊNCIA Nunca use o guincho como uma grua ou para suspender uma carga.

⚠️ ADVERTÊNCIA Nunca use o guincho para elevar ou transportar pessoas.

Controle remoto:

⚠️ ADVERTÊNCIA Sempre mantenha o cabo do controle remoto conectado e o cabo de alimentação afastado do tambor, do cabo e da amarração. Verifique se há rachaduras, perfurações, fios corroídos ou conexões soltas. Os componentes danificados devem ser substituídos antes da operação.

⚠️ ADVERTÊNCIA Nunca deixe o controle remoto onde possa ser ativado involuntariamente.

⚠️ ADVERTÊNCIA Nunca deixe o controle remoto do guincho conectado durante a instalação, movimentação livre, ajustagem, manutenção ou quando o guincho não estiver em uso.

O controle remoto proporciona controle da rotação power-out (avanço) e power-in (reversão) do tambor de enrolamento.

Não deixe o controle remoto conectado ao guincho quando não estiver em uso. Se o controle remoto permanecer conectado, poderá causar uma ativação acidental e/ou o descarregamento da bateria.

Operação da embreagem:

⚠️ ADVERTÊNCIA Nunca engate ou desengate a embreagem se o guincho estiver sob carga, o cabo de aço estiver tensionado ou o tambor do cabo de aço estiver em movimento.

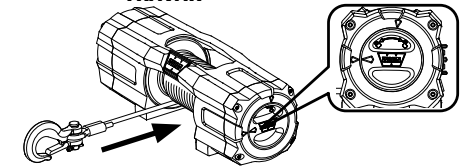
⚠️ AVISO Sempre garanta que a embreagem esteja totalmente engatada ou desengatada ao operar o guincho.

A alavanca da embreagem está localizada no alojamento do guincho no lado oposto do motor e controla a posição da embreagem. Para evitar danos, sempre engate ou desengate totalmente a alavanca da embreagem.

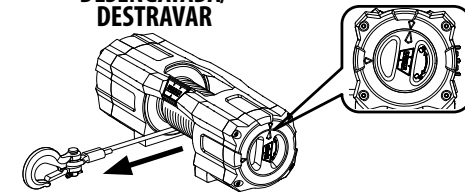
Quando a embreagem estiver engatada, o trem de engrenagens é acoplado ao tambor do guincho e a energia pode ser transferida do motor do guincho.

Quando a embreagem é desengatada o tambor fica na posição de movimentação livre e o trem de engrenagens e o tambor do cabo de aço são desacoplados permitindo que o tambor gire livremente.

ENGATADA/
TRAVAR



DESENGATADA/
DESTRAVAR



Desenrolamento

⚠️ ADVERTÊNCIA Nunca opere o guincho com menos de 5 voltas de corda de guincho ao redor do tambor. Corda poderia se soltar do tambor.

⚠️ ADVERTÊNCIA Sempre mantenha as mãos longe do cabo do guincho, da alça do gancho, do gancho e da abertura do cabo guia durante a instalação, a operação e o enrolamento/desenrolamento do cabo.

INSTRUÇÕES PARA A PRIMEIRA OPERAÇÃO

⚠️ ADVERTÊNCIA Sempre use luvas grossas ao manusear o cabo do guincho.



Movimentação livre é geralmente a maneira mais rápida e fácil de se desenrolar cabos de aço. Antes de desenrolar os cabos do guincho com a movimentação livre, recolha a quantidade de cabo suficiente para remover toda tensão exercida no cabo. Desengate a embreagem. Em seguida, desenrole manualmente a quantidade suficiente de cabo para a operação do guincho. Consulte o Guia Básico de Técnicas de Operação de Guincho para obter mais informações, encontrado online em: www.warn.com.

⚠️ AVISO NÃO desenrole mais de 30 pés de cabo sem deixar o guincho esfriar por 20 minutos antes de enrolar o cabo novamente. Em vez disso, coloque a embreagem em livre movimentação e puxe o cabo para fora manualmente.

⚠️ ADVERTÊNCIA Sempre use a correia do gancho fornecida ao enrolar ou desenrolar o cabo do guincho.



Enrolamento sob carga

⚠️ ADVERTÊNCIA Nunca exceda a capacidade nominal do guincho ou do cabo de aço.

⚠️ ADVERTÊNCIA Sempre conheça o Limite de Carga de Trabalho (WLL) de sua corda.

⚠️ ADVERTÊNCIA Nunca exceda o WLL da corda ou choque carregar esta corda.

Enrole o cabo do guincho de maneira uniforme e firme no tambor. Isso impede que as voltas externas do cabo do guincho se prendam nas voltas internas, emperrando e danificando o cabo de aço.

Evite cargas repentinas ao enrolar, pulsando o botão de controle para remover a folga do cabo de aço. As cargas repentinas podem exceder momentaneamente as capacidades do guincho e do cabo.

Enrolamento em condição sem carga

⚠️ ADVERTÊNCIA Nunca toque no cabo do guincho ou no gancho quando outra pessoa estiver utilizando o painel de comandos, quando o cabo do guincho estiver com carga ou durante a operação do guincho.

Enrolamento com um assistente: peça ao assistente que segure a correia do gancho aplicando o máximo possível de tensão constante no cabo do guincho. Mantendo a tensão, o assistente deve caminhar em direção ao guincho enquanto você opera o enrolamento do botão de controle no cabo. Libere o botão quando o gancho estiver a no mínimo 2 m (6 pés) da abertura do cabo guia.

Enrole o restante para armazenamento conforme orientado abaixo.

Enrolamento independente: posicione o cabo de forma que ele não fique dobrado ou emaranhado quando for enrolado. Verifique se todo o cabo do guincho no tambor está distribuído em camadas de maneira uniforme e firme. Enrole uma quantidade de cabo do guincho suficiente para preencher a próxima camada completa no tambor. Aperte e alinhe a camada. Repita o processo até que o gancho esteja a no mínimo 2 m (6 pés) da abertura do cabo guia.

Enrolamento do restante para armazenamento

Quando o gancho estiver a 2 m (6 pés) do cabo guia, desconecte o gancho da fixação ou da carga. Segure a correia do gancho fornecido e mantenha a tensão no cabo do guincho. Lentamente, acione o guincho “pulsando” o botão de acionamento no controle remoto até que o gancho esteja a 1 m (3 pés) do cabo guia.

Pare a operação do guincho e acople o gancho a um ponto de fixação adequado no veículo.

⚠️ AVISO Não deixe o gancho entrar no cabo guia. Isso pode causar danos ao cabo guia.

Depois que o gancho estiver acoplado corretamente ao veículo, acione a folga remanescente no cabo do guincho “pulsando” o botão de acionamento no controle remoto até que haja uma folga mínima no cabo do guincho.

Sobrecarga/superaquecimento

⚠️ ADVERTÊNCIA Sempre esteja atento a possíveis superfícies quentes no motor, tambor ou cabo do guincho durante ou após o uso do guincho.

Este guincho foi classificado para trabalho intermitente. Quando o motor se aproxima da rotação de parada, o calor aumenta bruscamente, o que pode causar danos ao motor.

A armação com linha dupla (consulte o Guia Básico de Técnicas de Operação de Guincho) reduz o nível de amperagem e o acúmulo de calor no motor. Isso permite um uso contínuo mais prolongado.

Limitador de carga (Guinchos AXON)

⚠️ ADVERTÊNCIA Nunca engate ou desengate a embreagem se o guincho estiver sob carga, o cabo de aço estiver tensionado ou o tambor do cabo de aço estiver em movimento.

⚠️ ADVERTÊNCIA Nunca toque no cabo do guincho ou no gancho enquanto estiverem sob tensão ou carga.

INSTRUÇÕES PARA A PRIMEIRA OPERAÇÃO

Exceder a capacidade do guincho AXON fará com que o limitador de carga desengate, interrompendo a alimentação do motor. Isto evita superaquecimento e danos em potencial no motor. Com 50% da capacidade de extração, o indicador remoto fica amarelo. Com 75% da capacidade de puxar, o indicador remoto fica laranja. A 90% da capacidade de extração, o indicador remoto fica vermelho. Quando a capacidade de extração for ultrapassada, o limitador de carga fará com que o indicador remoto pisque em vermelho e o motor AXON pare. Quando isto ocorrer, solte a carga desenrolando. Quando o limitador de carga é acionado, o guincho não pode ser enrolado até que o limitador seja reiniciado com o desenrolar. Não tente aplicar a mesma carga se o limitador de carga tiver sido acionado, já que isto pode danificar o guincho. Se o limitador de carga falhar em reiniciar, entre em contato com a central de serviços autorizada.

Se o limitador de carga continuar acionando, realize as seguintes ações:

1. Reduza o peso da carga.
2. Aumente a distância do ponto de fixação. O torque de tração máximo ocorre a partir da primeira camada de cabo do guincho no tambor. Aumentar a distância entre o guincho e o ponto de fixação diminui as camadas de cabo do guincho no tambor, aumentando assim a potência de tração.

PARA ESTICAR O CABO DO GUINCHO

⚠️ ADVERTÊNCIA Sempre estique o cabo de aço previamente e enrole novamente sob carga antes do uso.

⚠️ ADVERTÊNCIA Sempre inspecione o cabo do guincho, o gancho e as lingas antes de operar o guincho. Se o cabo do guincho estiver corroído, torcido ou danificado, ele deve ser substituído imediatamente. Os componentes danificados devem ser substituídos antes da operação. Proteja as peças contra danos.

O alongamento (tensionamento) do cabo do guincho é importante para garantir uma vida longa do produto. O tensionamento do cabo do guincho impedirá que as camadas externas do cabo do guincho sejam comprimidas e deformem as camadas internas.

Durante o primeiro uso, um novo cabo do guincho deve ser enrolado no seu tambor sob uma carga de pelo menos 226 kg (500 lb).

Siga as instruções abaixo para esticar corretamente o cabo no tambor do guincho.

⚠️ ADVERTÊNCIA Sempre use luvas grossas ao manusear o cabo do guincho.

1. Escolha um local PLANO E NIVELADO que seja grande o bastante para passar toda a extensão do cabo do guincho.

2. Desengate a embreagem.

⚠️ ADVERTÊNCIA Sempre mantenha as mãos longe do cabo do guincho, da alça do gancho, do gancho e da abertura do cabo guia durante a instalação, a operação e o enrolamento/desenrolamento do cabo.

3. Segure a correia do guincho e enrole o cabo do guincho até as últimas 5 voltas do tambor.
4. Verifique se o cabo está desenrolado na parte inferior do tambor, não na parte superior, ou o freio automático de retenção de carga não funcionará corretamente. **NOTA:** Se o cabo do guincho estiver desenrolando na parte superior, você colocou o guincho na posição “desativada” em vez de “ativada”. Certifique-se que esteja ligado.

⚠️ ADVERTÊNCIA Enrole sempre o cabo na parte inferior (lado de montagem) do tambor.



⚠️ AVISO Para um funcionamento adequado do freio do guincho, o cabo do guincho deve enrolar no tambor na direção especificada. *Consulte a etiqueta de rotação do tambor localizada no guincho.

5. Uma vez que o cabo do guincho estiver enrolado, engate a embreagem.

⚠️ ADVERTÊNCIA Sempre verifique se o engate do gancho está fechado.



⚠️ ADVERTÊNCIA Sempre aplique carga somente no centro do gancho.

⚠️ ADVERTÊNCIA Nunca aplique carga na ponta do gancho ou use um gancho que esteja torcido ou torto.

6. Conecte a extremidade do gancho no cabo para um ponto de fixação adequado.

⚠️ ADVERTÊNCIA Sempre remova todos os elementos ou obstáculos que possam interferir na operação segura do guincho.



⚠️ ADVERTÊNCIA Nunca prenda o cabo do guincho nele mesmo. Use uma corrente ou correia na fixação.

⚠️ ADVERTÊNCIA Sempre tenha certeza de que a fixação que você selecionou irá suportar a carga e que a correia ou a corrente não deslizará.

7. Retorne ao veículo.

INSTRUÇÕES PARA A PRIMEIRA OPERAÇÃO

11. Afaste o veículo para longe do ponto de fixação até que haja uma pequena frouxidão no cabo do guincho.
12. Acione o freio de estacionamento, coloque o veículo em ponto morto ou estacionamento e desligue-o.

⚠️ ADVERTÊNCIA Sempre mantenha-se afastado do cabo do guincho e da carga, e mantenha as pessoas afastadas durante a operação do guincho.

13. Saia do veículo. **ADVERTÊNCIA! Nunca saia do veículo com carga no cabo do guincho.** Parado a aproximadamente 2,44 m (8 pés) do guincho, acione o guincho até que toda a folga seja enrolada no tambor do guincho.

⚠️ ADVERTÊNCIA Nunca toque no cabo do guincho ou no gancho quando outra pessoa estiver utilizando o painel de comandos, quando o cabo do guincho estiver com carga ou durante a operação do guincho.

⚠️ ADVERTÊNCIA Nunca deixe o cabo do guincho deslizar por suas mãos.

14. Usando luvas, mantenha a tensão no cabo do guincho com uma mão, pressione cuidadosamente o cabo do guincho na lateral do tambor. O cabo do guincho é acoplado para que não haja folgas entre cada volta no tambor.
15. Para uma segurança adequada, as etapas a seguir devem ser executadas por duas pessoas. Se você tentar aplicar tensão no cabo do guincho sozinho, sempre acione o freio de estacionamento, coloque a transmissão em ponto morto e desligue o veículo **toda vez** que sair para inspecionar o cabo do guincho.
AVISO Tome cuidado para enrolar uniformemente cada camada com o intuito de evitar danos ao cabo.

⚠️ ADVERTÊNCIA Nunca use o controle remoto quando o veículo não estiver na linha de visão do operador.

16. O condutor do veículo deve operar o guincho.
17. Oriente seu assistente para ficar ao lado do veículo e afastado do cabo do guincho.
NOTA: Seu assistente deve avisar se o cabo está enrolando corretamente, observando para isso o movimento pelo cabo guia conforme o cabo é enrolado.
18. Dê partida no veículo e coloque a transmissão em neutro. Libere o freio de estacionamento enquanto aplica pressão moderada no pedal do freio.

19. Enrole o cabo do guincho para iniciar a ação do guincho.
20. Depois de operar o guincho por aproximadamente 2 m (6 pés), interrompa a operação.
21. Lentamente, solte o pedal do freio e, em seguida, pressione o freio de estacionamento. Isso garante que não haja nenhuma carga no cabo do guincho.
22. Coloque a transmissão em estacionamento ou engatada e desligue o veículo.
23. Saia do veículo e inspecione o guincho para ter certeza de que o cabo do guincho está sendo enrolado uniformemente no tambor do guincho e não está se encaixando na camada mais baixa. Se o cabo do guincho estiver caindo, desenrole-o e repita esta etapa desde o início com mais pressão no pedal do freio.
24. Quando você estiver convencido de que o cabo de aço está enrolando corretamente no tambor do guincho, repita as etapas anteriores até o veículo estar a 2 m (6 pés) da fixação do guincho. Quando o gancho estiver a 2 m (6 pés), lentamente, solte o pedal do freio e, em seguida, pressione o freio de estacionamento. Isso garante que não haja nenhuma carga no cabo do guincho. Depois, coloque a transmissão em estacionamento ou engatada e desligue o veículo.
25. Saia do veículo. Desconecte o gancho da fixação.
26. Enquanto segura a correia do gancho fornecida, mantenha a tensão no cabo do guincho e, lentamente, acione o guincho, “pulsando” o botão de acionamento no controle remoto até que o gancho esteja a 1 m (3 pés) do cabo guia.
27. Pare a operação do guincho e acople o gancho a um ponto de armazenamento adequado no veículo.
28. Depois que o gancho estiver acoplado corretamente ao veículo, acione a folga remanescente no cabo do guincho “pulsando” o botão de acionamento no controle remoto até que haja uma folga mínima no cabo do guincho.
AVISO Não deixe o gancho entrar no cabo guia. Isso pode causar danos ao cabo guia.

CUIDADOS DO CABO SINTÉTICO

ARMAÇÃO

Para obter informações completas sobre os fundamentos de armação, leia o Guia Básico de Técnicas de Operação de Guincho, encontrado online em www.warn.com.

Cuidados do cabo sintético:

Limpeza:

- Use água sob baixa pressão para limpar o cabo sintético. Não use nenhum produto químico.
- Não aponte a água sob alta pressão (lavadores de pressão, lavadores de carro, etc.) entre o suporte e o flange do tambor ou a alavanca da embreagem.
- Use água de baixa pressão e um pano ensaboado ou uma esponja para limpar o guincho.
- Evite o uso de produtos químicos que possam danificar o acabamento.
- Assim que possível, remova totalmente os resíduos de sal do guincho para minimizar a corrosão.

Inspeção do cabo:

⚠️ ADVERTÊNCIA Sempre inspecione o cabo do guincho, o gancho e as lings antes de operar o guincho. Se o cabo do guincho estiver corroído, torcido ou danificado, ele deve ser substituído imediatamente. Os componentes danificados devem ser substituídos antes da operação. Proteja as peças contra danos.

Na primeira vez que usar o cabo, os filamentos externos ficam logo esfiapados. Isso acontece porque os filamentos se rompem e essa superfície áspera acaba protegendo as fibras que estão embaixo. Isso deve se estabilizar e não progredir. Se a aspereza da superfície do cabo progredir, é devido ao excesso de abrasão e a resistência do cabo se perde.

Examine de perto as camadas internas e externas das fibras. Quando uma delas estiver gasta, o cabo fica obviamente enfraquecido. Abra os filamentos e veja se há fibra em pó - isso é um sinal de desgaste interno.

A descolorização localizada pode representar um ataque químico potencial de qualquer produto, desde o óleo da embreagem até o ácido da bateria. Quando estiver em dúvida, substitua o cabo.

O cabo deve ser substituído quando:

- A seção do cabo estiver reduzida em 10% ou mais pela abrasão.
- Dois ou mais filamentos adjacentes estiverem cortados.
- Forem encontradas áreas planas ou protuberâncias que não desaparecem ao flexionar o cabo.
- Forem encontradas fibras excessivas fundidas ou derretidas. Essas áreas ficam rígidas e o cabo fica com aparência lustrosa.



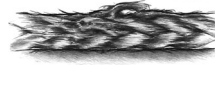
• Cabo com o volume original.



• Cabo mostrando 25% de redução do volume dos filamentos por abrasão - cabo deve ser substituído.



• Filamento do cabo mostrando volume total.



• Filamento do cabo reduzido por 25% de abrasão - cabo deve ser substituído.



• Cabo mostra fibras comprimidas. Percebe-se um pouco de brilho. Esta não é uma característica permanente, e pode ser eliminada com a flexão do cabo.



• Cabo com dois filamentos adjacentes rompidos - cabo deve ser substituído.

MANUTENÇÃO E ANÁLISE FINAL

Verificar	Antes da primeira operação	Após cada uso	A cada 90 dias
Leia com cuidado o Guia de Instruções e/ou Guia do Operador, e/ou o Guia Básico de Técnicas de Operação de Guincho, para entender o guincho e suas operações.	X		
Verifique os fixadores para que estejam firmes e com o aperto correto. Substitua os fixadores danificados.	X		X
Verifique se a fiação de todos os componentes está correta e se as conexões estão firmes.	X		X
Verifique se há fios expostos/descascados, terminais ou isolamento de cabos danificados (por atrito/cortes). Cubra as áreas expostas com capas de terminais. Conserte ou substitua cabos elétricos danificados.	X		X
Inspeccione o cabo do guincho, o gancho, a luva térmica e as lingas. Se o cabo do guincho estiver corroído, torcido ou danificado, ele deve ser substituído imediatamente. Os componentes danificados devem ser substituídos antes da operação.	X	X	X
Mantenha o guincho, o cabo e o controle do interruptor livre de contaminantes. Use um pano limpo ou toalha para remover toda sujeira e detritos.		X	
Caso o guincho esteja submerso na água: Desenrole e enrole de volta o cabo do guincho em cerca de 30 pés. Siga o procedimento de "Alongamento do cabo do guincho", a fim de secar o guincho.	X	X	

Dedique um tempo para se familiarizar totalmente com o guincho e suas operações, revisando o Guia Básico de Técnicas de Operação de Guincho, encontrado online em:

www.warn.com

Para obter mais informações, ou se tiver alguma pergunta, entre em contato com:

WARN INDUSTRIES, INC.

12900 S.E. Capps Road, Clackamas

OR USA 97015-8903, 1-503-722-1200,

Atendimento ao cliente: 1-800-543-9276

Serviço de Localização de Distribuidores Autorizados: 1-800-910-1122

Ou visite www.warn.com.



WARN® Garantia do produto internacional

Warn Industries, Inc. (WARN) garante que seus produtos vendidos fora dos Estados Unidos e Canadá para ser livre de defeitos de material e mão de obra por meio de WARN Distribuidores Autorizados locais e Distribuidores.

Todos os inquéritos de garantia fora dos Estados Unidos e Canadá para WARN® os produtos devem ser dirigidas ao seu revendedor local Varejista de Vendas.

Para encontrar o revendedor mais próximo de sua localização, por favor visite nosso website em <http://www.warn.com/corporate/dealerlocator.jsp> ou contacte-nos em 1-503-722-1200 ou 1-503-722-3000 (fax) .

Os detalhes específicos da garantia pode variar de acordo com as leis e regulamentos locais.

Esta Garantia aplica-se apenas ao comprador original dos produtos. Para obter qualquer serviço de garantia, você deve fornecer a prova de compra, como uma cópia do seu recibo de compra. Esta garantia não cobre a remoção ou reinstalação do Produto. WARN irá, por sua opção, reparar, substituir ou reembolsar o preço de compra de um produto ou componente defeituoso, desde que você devolver o Produto com defeito ou componente durante o período de garantia, os custos de transporte pré-pago, a um centro de serviço autorizado. Anexar o seu nome, endereço, número de telefone, uma descrição do problema, e uma cópia do recibo e nota fiscal original que contenha o número WARN parte do produto defeituoso ea data de compra.

Esta garantia não se aplica se o produto tiver sido danificado por acidente, abuso, mau uso, colisão, sobrecarga, modificação, utilização indevida, instalação incorrecta ou manutenção incorrecta. Esta garantia é anulada se houver WARN número de série ou código de data fabricante tenha sido removido ou apagado.

NÃO EXISTEM OUTRAS GARANTIAS, EXPRESSAS OU IMPLÍCITAS, INCLUINDO MAS NÃO LIMITADO A GARANTIAS IMPLÍCITAS DE COMERCIALIZAÇÃO OU ADEQUAÇÃO A UM DETERMINADO FIM.

WARN NÃO SERÁ RESPONSÁVEL POR DANOS ESPECIAIS, INDIRETOS, INCIDENTAIS OU CONSEQUENCIAIS (INCLUINDO, SEM LIMITAÇÃO, PERDA DE LUCROS, BAIXO TEMPO OU PERDA DE USO) SOB QUALQUER TEORIA LEGAL, MESMO QUE WARN FOI AVISADO DA POSSIBILIDADE DE TAIS DANOS.

WARN reserva o direito de efectuar alterações no design do produto sem aviso prévio. Em situações em que WARN mudou um projeto de produto, WARN não tem qualquer obrigação de atualizar ou modificar os produtos fabricados anteriormente. Sem WARN revendedor, agente ou funcionário está autorizado a fazer qualquer modificação, extensão ou adição a esta garantia.

A garantia é solicitada e os produtos devolvidos para o serviço de garantia devem ser enviados para:

WARN INDUSTRIES, INC. 12900 S.E. Capps Road,
Clackamas, OU EUA 97015-8903, 1-503-722-1200, FAX: 1-503-722-3000
Serviço ao Cliente: 1-800-543-9276
Serviço de Localizador de Revendedores: 1-800-910-1122
Fax internacional: 1-503-722-3000
www.warn.com

VRX en AXON™ Bedieningshandleiding lier



Deze handleiding bevat belangrijke veiligheidsinformatie en geeft aan hoe u uw lier dient te gebruiken. Het is belangrijk om **ALLE** instructies en veiligheidsinformatie zorgvuldig te lezen **VOORDAT** u begint met het instellen van de lier en daarmee gaat werken.

Bij het lezen van deze instructies komt u de aanduidingen **WAARSCHUWING**, **LET OP**, **MEDEDELING** en **OPMERKING** tegen. Niet volgen van deze instructies kan resulteren in zwaar letsel of de dood. **WAARSCHUWING** duidt op een mogelijk gevaarlijke situatie die, indien niet vermeden, zwaar lichamelijk letsel of de dood tot gevolg kan hebben. **LET OP** duidt op een mogelijk gevaarlijke situatie die, indien niet vermeden, licht of middelzwaar lichamelijk letsel tot gevolg kan hebben. Onder **LET OP** en **WAARSCHUWING** worden de gevaren beschreven, wordt uitgelegd hoe ze kunnen worden vermeden en wat de mogelijke gevolgen zijn van het negeren van het gevaar. **MEDEDELINGEN** zijn meldingen over hoe materiële schade kan worden vermeden. **OPMERKINGEN** verstrekken aanvullende informatie om u te helpen een procedure te voltooien.
VEILIGHEID VÓÓR ALLES!

BEWAAR DEZE HANDLEIDING en andere documentatie over dit product zodat u ze later opnieuw kunt nalezen en regelmatig kunt raadplegen voor blijvend veilig gebruik. Verplicht alle gebruikers van dit product om deze handleiding na te lezen vóór gebruik.

Aanvullende productinformatie is online beschikbaar:

- **Basishandleiding voor liertechnieken**
 - Biedt u basiskennis over de lier en het gebruik van de juiste liertechnieken. Het is een waardevolle bron voor veilig en efficiënt gebruik van de lier.
- **Productspecificaties en prestaties**
 - Geeft u informatie over de productspecificaties, prestaties en reserveonderdelen.
- **Specifieke documentatie over andere producten**

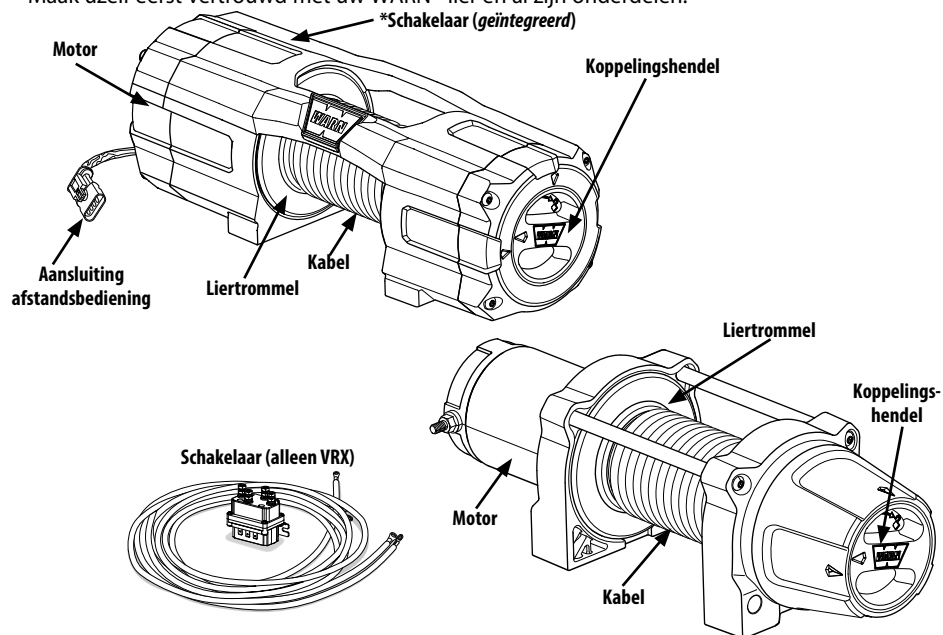
Ga naar www.warn.com voor het bekijken of downloaden van informatie over andere producten of reserveonderdelen.

INHOUDSOPGAVE:

Leer uw lier kennen/ Leer uw onderdelen kennen	2-3
Montage.....	4-5
Elektrische leidingen	6-8
Bedieningsinstructies voor eerste gebruik	9-12
Verzorging synthetische kabel	13
Slotopmerkingen en onderhoud	14
Garantie.....	15

LEER UW LIER KENNEN

Maak uzelf eerst vertrouwd met uw WARN®-lier en al zijn onderdelen:



- Motor:** De liermotor wordt aangedreven door de accu van het voertuig. De motor levert vermogen aan het tandwielmechanisme, zodat de liertrommel gaat draaien en de lierkabel wordt op- of afgewikkeld.
- Liertrommel:** De liertrommel is de cilinder waarop de lierkabel wordt gevoerd. De trommel wordt aangedreven door de motor en aandrijflijn. De richting kan worden gewijzigd met behulp van de afstandsbediening.
- Lierkabel:** De diameter en lengte van de lierkabel worden bepaald door de trekcapaciteit en de constructie van de lier. De kabel wordt rond de liertrommel gewikkeld en door de kabelgeleider gevoerd. Het kabeluiteinde is voorzien van een lus waar de haakpen doorheen wordt gestoken.
- De synthetische lierkabel is vervaardigd uit een uniek materiaal van polyethyleen met een ultrahog molecuulair gewicht en biedt een hoge treksterkte. Hij is bedekt met hogetemperatuur urethaan en uitgerust met een temperatuurbestendige hoes op de eerste laag voor extra bescherming. De hoge flexibiliteit en het lage gewicht van de synthetische kabel zorgen voor een veel gemakkelijker gebruik op de werkplaats.
- Koppelingshendel:** Met de koppeling kan de bediener de liertrommel handmatig loskoppelen van het tandwielstelsel, zodat de trommel vrij kan draaien (bekend als 'vrijloop'). Wanneer de koppeling wordt ingeschakeld, wordt de liertrommel weer aan het tandwielstelsel gekoppeld.
- Schakelaar:** Met de schakelaar van de bedieningskast wordt het elektrische vermogen van de voertuigaccu naar de motor ingeschakeld, zodat de operator de draairichting van de liertrommel kan wijzigen. *** De AXON-lierschakelaar is geïntegreerd met de liermotor.**
- Aansluiting afstandsbediening (AXON-lier):** Op de externe aansluiting kan de bedrade afstandsbediening worden aangesloten om de lier te bedienen.

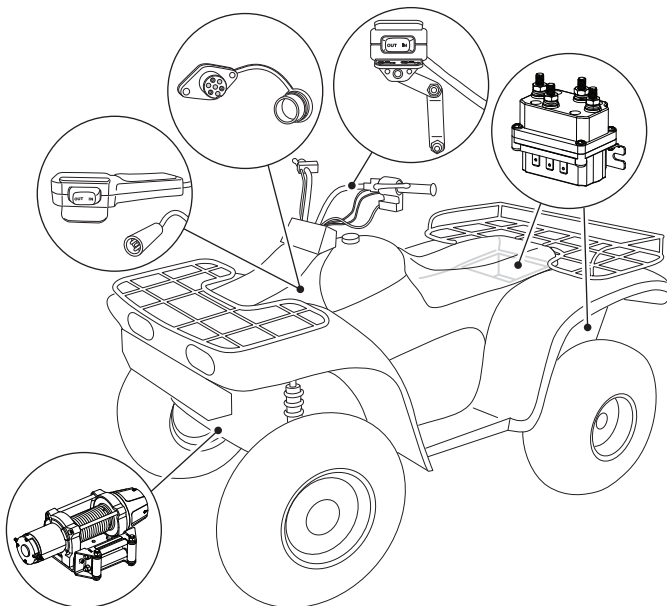
LEER UW ONDERDELEN KENNEN



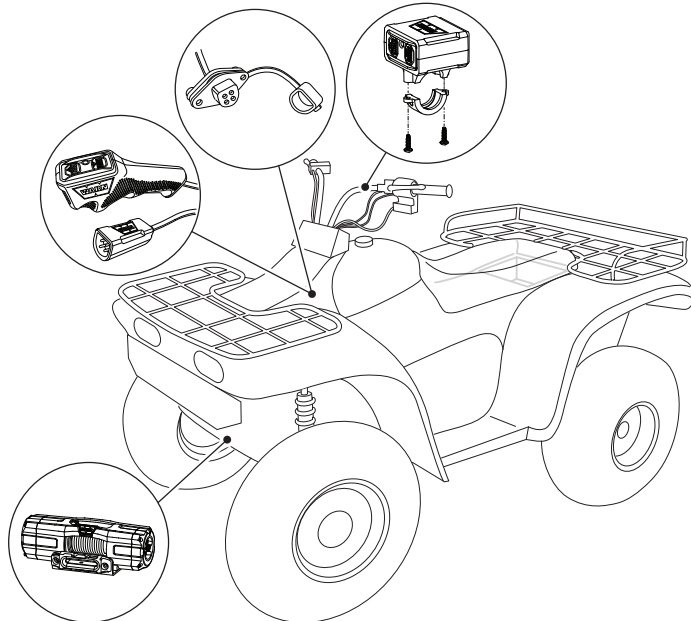
VOORAF moet u de tijd nemen om alle instructies en veiligheidsinformatie zorgvuldig te lezen voordat u begint met het installeren en bedienen van de lier.

STAP 1: MONTAGEPLAATSEN IDENTIFICEREN

VRX



AXON



MONTAGE

STAP 2: MONTAGE VAN DE LIER

WAARSCHUWING Kies altijd een installatieplaats die stevig genoeg is om de maximale trekcapaciteit van de lier te kunnen weerstaan.

WAARSCHUWING Monteer de kabelgeleider altijd met de waarschuwing zichtbaar naar boven.

WAARSCHUWING Gebruik altijd montagemiddelen van kwaliteitsklasse 8.8 metrisch (imperiaal: SAE grade 5) of hoger.

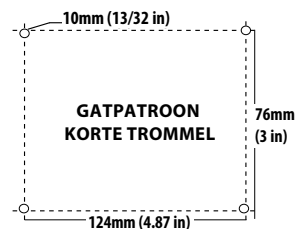
WAARSCHUWING Las nooit de bevestigingsbouten.

WAARSCHUWING Verifieer de benodigde boutlengte om ervoor te zorgen dat de schroefdraad voldoende aangrijpt.

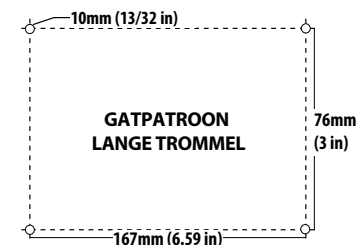
WAARSCHUWING Voltooi altijd de lierinstallatie en haakbevestiging voordat u de bedrading aanlegt.

LIER MONTEREN

VRX 25 / 35 - AXON 35

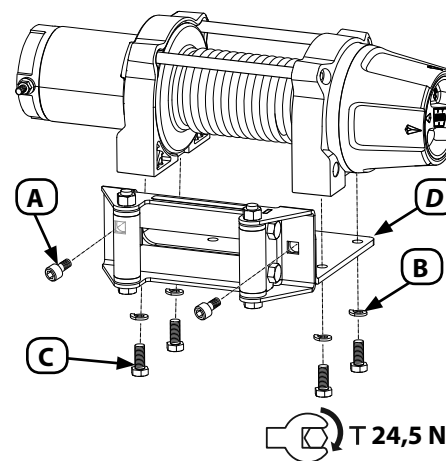


VRX 45 - AXON 45 / 55

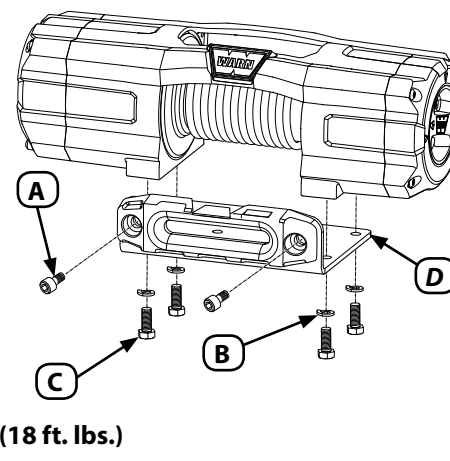


Onderdeel	Aantal	Beschrijving
A	2	M10 x 15
B	4	M8
C	4	M8 x 1.25 x 25
D	1	APART VERKOCHT

VRX



AXON



STAP 3: MONTAGE VAN DE APPARATUUR VOOR AFSTANDBEDIENING

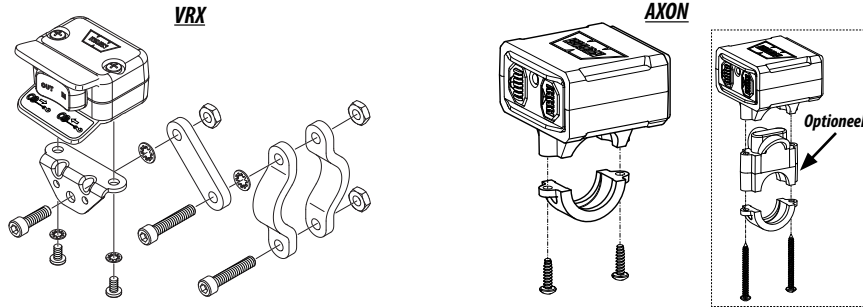
1. Maak de accukabels van het voertuig los; begin met de minkabel. Alle werkzaamheden aan elektrische bedrading en kabels moeten worden voltooid terwijl de accu volledig is losgekoppeld van de voertuigbedrading.

WAARSCHUWING VOORKOM ERNSTIG LETSEL EN MATERIËLE SCHADE OP DE VOLGENDE MANIER: Wees voorzichtig bij het plaatsen of verplaatsen van de bedieningselementen van het voertuig, zodat de veilige werking van het voertuig niet in gevaar komt.

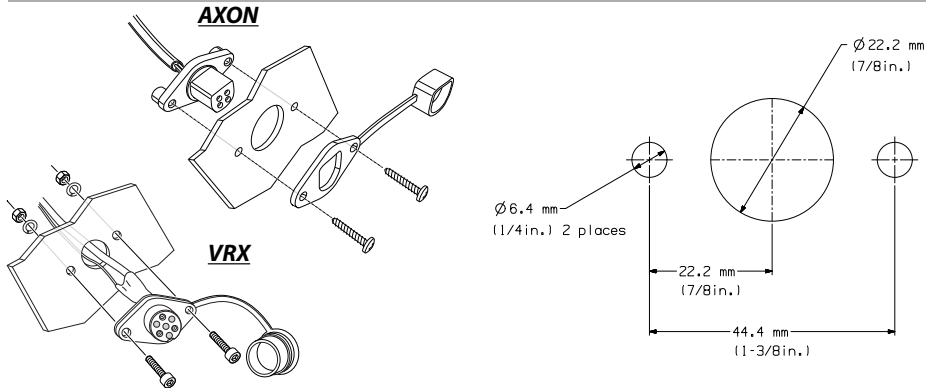
Kies een montageplaats waarbij voldoende vrije ruimte voor alle bedieningselementen van het voertuig overblijft.

Let erop voordat u de schakelkabel met kabelbinders bevestigt, dat het stuur de volledige bewegingsvrijheid heeft behouden.

STUURSCHAKELAAR MONTEREN

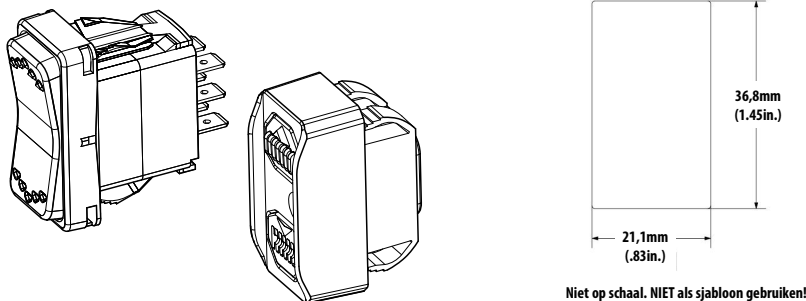


AANSLUITING AFSTANDBEDIENING MONTEREN



DASHBOARDCHAKELAAR MONTEREN

VRX 45 - AXON 45 / 55

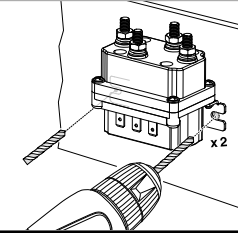


STAP 4: UW SCHAKELAAR MONTEREN (alleen VRX)

WAARSCHUWING Monteer de schakelaar nooit zodanig dat elektrische aansluitingen in contact kunnen komen met metalen voorwerpen.

WAARSCHUWING Controleer bij boorwerkzaamheden altijd of het gebied vrij is van brandstofleidingen, brandstoftank, remleidingen, elektrische bedrading etc.

SCHAKELAAR MONTEREN (ALLEEN VRX-lier)



STAP 5: UW APPARATUUR BEDRADEN

WAARSCHUWING Verwijder altijd alle sieraden en draag altijd een veiligheidsbril als u de accu aansluit.

WAARSCHUWING Leid elektriciteitskabels niet door of nabij bewegende onderdelen.

WAARSCHUWING Isoleer en bescherm altijd alle blootliggende bedrading en elektrische aansluitpunten.

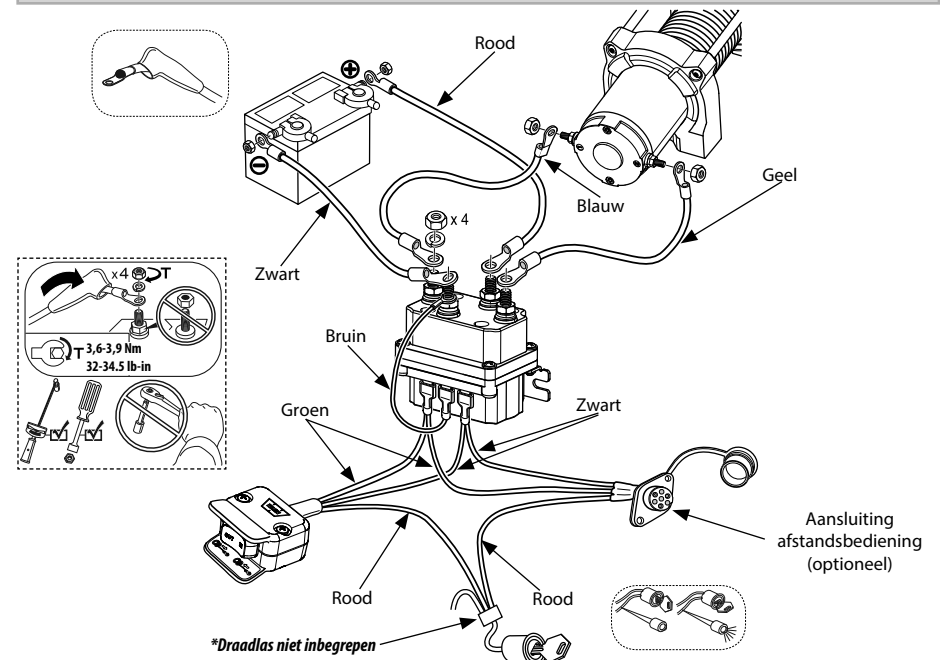
WAARSCHUWING Plaats altijd de meegeleverde klemhulzen op de draden en de aansluitingen.

WAARSCHUWING Leid elektriciteitskabels nooit over scherpe randen.

WAARSCHUWING Leg elektriciteitskabels nooit in de buurt van onderdelen die heet worden.

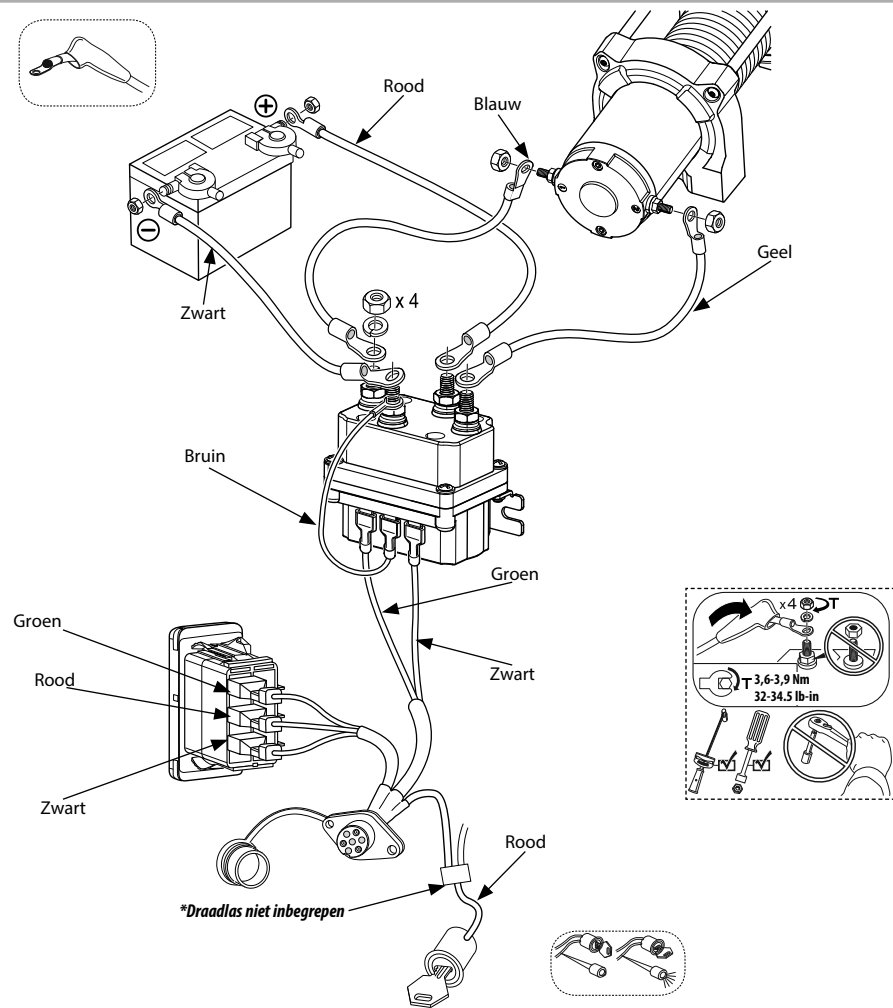
WAARSCHUWING Leid elektriciteitskabels nooit over accupolen.

VRX 25 / 35



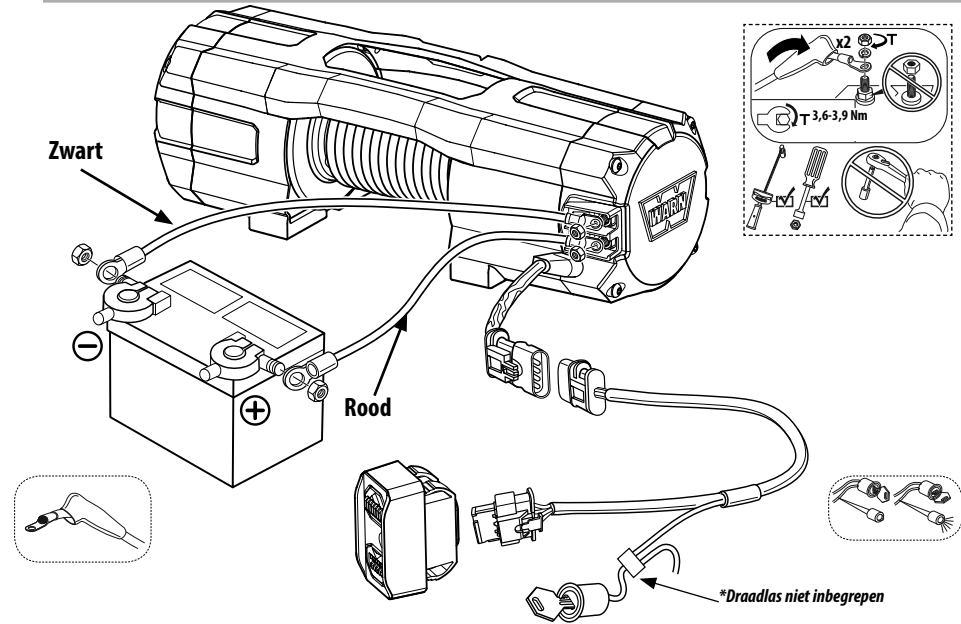
ELEKTRISCHE AANSLUITINGEN

VRX 45

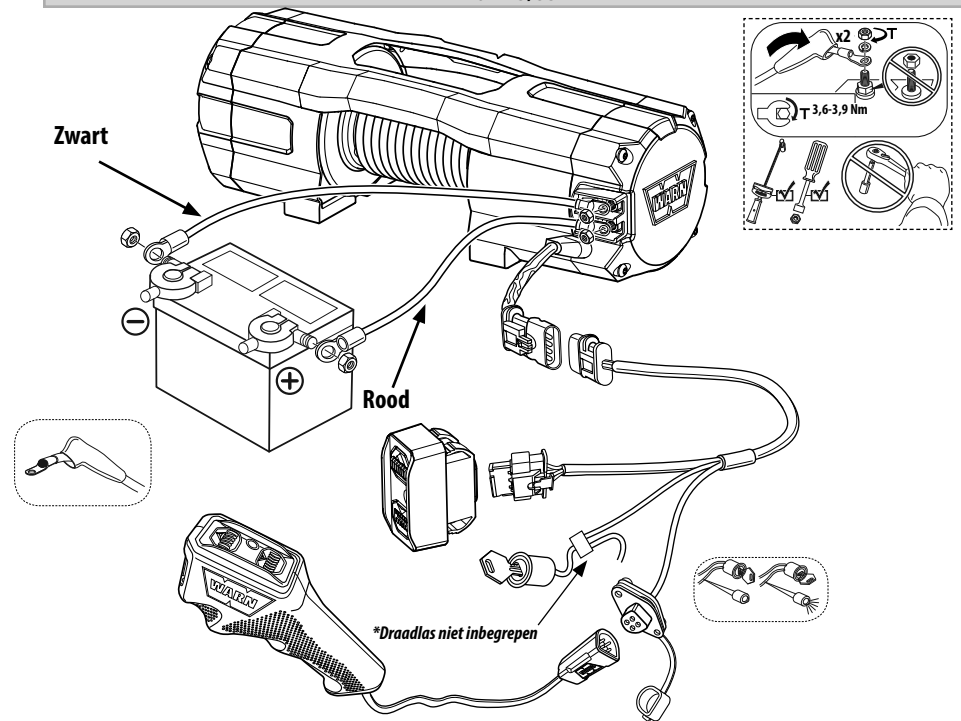


ELEKTRISCHE AANSLUITINGEN

AXON 35



AXON 45/55



Stap 3: Systeemcontrole

⚠ WAARSCHUWING Sluit de rode (+) stroomkabel altijd **ALLEEN** aan op de positieve (+) klem van de accu.

⚠ WAARSCHUWING Sluit de zwarte aardingskabel (-) altijd **ALLEEN** aan op de negatieve (-) klem van de accu.

Systeemcheck uitvoeren:

1. Controleer of alle bevestigingsonderdelen met het juiste aanhaalmoment zijn vastgezet.
2. Controleer of de bedrading naar alle onderdelen correct is en of deze stevig aan alle aansluitpunten is bevestigd.
3. Controleer of er geen blootliggende/kale bedrading of aansluitpunten aanwezig zijn en of de kabelisolatie niet is beschadigd.
4. Lees de Basishandleiding voor liertechnieken volledig, voordat u met uw lier gaat werken (www.warn.com).

Wanneer u een systeemcontrole hebt uitgevoerd, bent u klaar om de 'Bedieningsinstructies voor eerste gebruik' uit te voeren.

Stap 4: Bedieningsinstructies voor eerste gebruik

In dit hoofdstuk komen de Bedieningsinstructies voor eerste gebruik aan bod. Voor de volledige lierbediening en -technieken leest u de Basishandleiding voor liertechnieken die u online kunt vinden op www.warn.com.

⚠ WAARSCHUWING Gebruik de lier nooit als hefwerktuig of om lasten op te hangen.



⚠ WAARSCHUWING Gebruik de lier nooit om personen te heffen of verplaatsen.



Afstandsbediening:

⚠ WAARSCHUWING Houd altijd de voedings- en afstandsbedieningskabel uit de buurt van de trommel, kabel en takelinrichting. Controleer op barsten, inkepingen, gerafelde draden of losse aansluitingen. Beschadigde onderdelen moeten voor gebruik vervangen worden.

⚠ WAARSCHUWING Laat de afstandsbediening nooit achter op een plaats waar deze kan worden geactiveerd.

⚠ WAARSCHUWING Laat de afstandsbediening nooit aangesloten op de lier tijdens installatie, afwikkelen in vrijloop, takelen, bij het uitvoeren van onderhoud of wanneer de lier niet wordt gebruikt.

Met de afstandsbediening kan het af- en opwikkelen van de liertrommel worden geregeld.

Laat de afstandsbediening niet aangesloten op de lier wanneer deze niet wordt gebruikt. Als de afstandsbediening aangesloten blijft, kan dit resulteren in onverwachte activering van de lier en/of ontlading van de accu.

Bediening van koppeling:

⚠ WAARSCHUWING Bedien de koppeling nooit wanneer de lier wordt belast, de lierkabel onder spanning staat of de trommel draait.

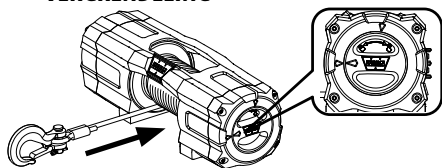
MEDEDELING Zorg er altijd voor dat de koppeling volledig gekoppeld of ontkoppeld is.

De koppeling wordt bediend door middel van de koppelingshendel die zich op de lierbehuizing tegenover de motor bevindt. Om schade te voorkomen, dient u de koppelingshendel altijd volledig te koppelen of volledig te ontkoppelen.

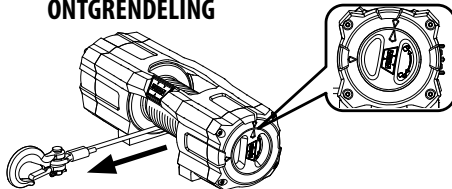
Als de koppeling is ingeschakeld, is het tandwielstelsel gekoppeld aan de liertrommel en kan vermogen van de liermotor worden overgedragen.

Als de koppeling is uitgeschakeld, staat de trommel in vrijloop en zijn het tandwielstelsel en de kabeltrommel ontkoppeld, zodat de trommel vrij kan draaien.

GEKOPPELD/ VERGRENDELING



ONTKOPPELD/ ONTGRENDING



Afwikkelen

⚠ WAARSCHUWING Bedien de lier nooit met minder dan 5 wikkeltettingen om de trommel. Het touw kan van de trommel losraken.

⚠ WAARSCHUWING Blijf altijd met de handen uit de buurt van de lierkabel, de haaklus, de haak en de kabelgeleideropening tijdens de montage en het gebruik, en bij het op- en afwikkelen.



⚠ WAARSCHUWING Draag altijd stevige lederen werkhandschoenen bij het hanteren van de lierkabel.



Afwikkelen in vrijloop is over het algemeen de snelste en gemakkelijkste manier om de lierkabel af te wikkelen. Voordat de kabel in vrijloop kan worden afgewikkeld, moet er elektrisch voldoende kabel worden afgewikkeld om eventuele trekspanning op de kabel weg te nemen. Ontkoppel de koppeling. Wikkel vervolgens in vrijloop handmatig voldoende kabel af om de lierwerkzaamheden uit te voeren. Zie voor meer informatie de Basishandleiding voor liertechnieken die u kunt vinden op: www.warn.com.

MEDEDELING Als u meer dan 9 m staalkabel elektrisch afwikkelt, moet de lier 20 minuten afkoelen voordat u de kabel weer opwikkelt. Zet in plaats daarvan de koppeling in vrijloop en wikkel de kabel handmatig af.

⚠ WAARSCHUWING Gebruik altijd de meegeleverde haakband bij het op- en afwikkelen.



Opwikkelen onder belasting

⚠ WAARSCHUWING Overschrijd nooit de nominale capaciteit van de lier of lierkabel.

⚠ WAARSCHUWING Weet altijd de werklustlimiet (WLL) van uw touw.

⚠ WAARSCHUWING Overschrijd nooit de WLL van touw of schok deze kabel niet.

Wikkel de lierkabel gelijkmatig en strak op de trommel. Dit voorkomt dat de buitenste trommelwikkelingen in de binnenste wikkelingen worden getrokken, met mogelijk vastlopen en beschadiging van de lierkabel tot gevolg.

Vermijd piekbelastingen bij het wikkelen door de bedieningsschakelaar af en toe los te laten om speling uit de lierkabel te verwijderen. Piekbelastingen kunnen de nominale capaciteit van de lier en kabel kortstondig ver overschrijden.

Opwikkelen zonder belasting

⚠ WAARSCHUWING Raak nooit de lierkabel of haak aan, terwijl iemand anders de bedieningsschakelaar bedient tijdens lierwerkzaamheden of wanneer deze onder belasting staat.

Opwikkelen met assistentie: Laat uw helper de haak met de haakband vasthouden, waarbij hij/zij zoveel mogelijk constante spanning op de lierkabel houdt. Terwijl de kabel gespannen blijft, loopt de helper vervolgens naar de lier terwijl u de bedieningsschakelaar bedient om de lierkabel op te wikkelen. Laat de schakelaar los wanneer de haak zich op minimaal 2 m van de kabelgeleideropening bevindt.

Wikkel de resterende kabellengte op zoals hieronder aangegeven.

Alleen opwikkelen: Leg de kabel zodanig neer dat er bij het opwikkelen geen knikken of knopen ontstaan. Zorg ervoor dat de lierkabel strak en in gelijkmatige lagen op de trommel wordt gewikkeld. Wikkel steeds voldoende lierkabel op om een volledige laag op de trommel te voltooien. Zorg dat de laag strak en recht ligt. Herhaal dit proces tot de haak zich ten minste 2 m van de kabelgeleideropening bevindt.

Resterende kabellengte opwikkelen

Haal, als de haak zich op 2 m van de kabelgeleider bevindt, de haak los van het ankerpunt of de last. Houd de meegeleverde haakband vast om spanning op de staalkabel te houden. Wikkel de kabel langzaam op door de bedieningsschakelaar op de afstandsbediening afwisselend in te drukken en los te laten totdat de haak zich binnen 1 m van de kabelgeleider bevindt.

Stop met het opwikkelen van de kabel en bevestig de haak aan een geschikt ankerpunt op het voertuig.

MEDEDELING Trek de haak niet elektrisch in de kabelgeleider. Hierdoor kan de kabelgeleider beschadigd raken.

Wikkel, zodra de haak op geschikte wijze aan het voertuig is bevestigd, de resterende kabellengte op door de bedieningsschakelaar IN op de afstandsbediening afwisselend in te drukken en los te laten tot er een minimale speling in de lierkabel overblijft.

Overbelasting/oververhitting

WAARSCHUWING Wees u tijdens of na het gebruik van de lier altijd bewust van mogelijk hete oppervlakken op de liermotor, trommel of staakabel.

De capaciteit van deze lier is gebaseerd op werkbelasting met onderbrekingen. Wanneer de motor het blokkeertoerental nadert, ontstaat er een zeer snelle hittevorming die motorschade kan veroorzaken.

Takelen met dubbele kabel (zie Basishandleiding voor liertechnieken) vermindert het stroomverbruik en daarmee de hittevorming in de motor. De lier kan dan langer onafgebroken worden gebruikt.

Lastbegrenzer (AXON-lieren)

WAARSCHUWING Bedien de koppeling nooit wanneer de lier wordt belast, de lierkabel onder spanning staat of de trommel draait.

WAARSCHUWING Raak de lierkabel of haak nooit aan wanneer deze onder trekspanning staat of wordt belast.

Door de capaciteit van de AXON-lier te overschrijden, zal de lastbegrenzer afgaan waardoor het vermogen naar de motor wordt onderbroken. Dit voorkomt oververhitting en mogelijke schade aan de motor. Bij 50% van de trekcapaciteit wordt de afstandsindicator geel. Bij 75% van de trekcapaciteit wordt de afstandsindicator oranje. Bij 90% van de trekcapaciteit wordt de afstandsindicator rood. Wanneer de trekcapaciteit wordt overschreden, zal de laadbegrenzer ervoor zorgen dat de afstandsindicator rood knippert en de AXON-motor stopt. Wanneer dit gebeurt, laat u de last los door af te wikkelen. Zodra de lastbegrenzer is afgegaan, kan de lier niet worden opgewikkeld totdat de lastbegrenzer opnieuw wordt ingesteld door af te wikkelen. Probeer niet dezelfde last te verwerken wanneer de lastbegrenzer is afgegaan, aangezien dit de lier kan beschadigen. Als de lastbegrenzer niet kan worden hersteld, neem dan contact op met een erkend servicecentrum.

Als de lastbegrenzer blijft afgaan, voer dan de volgende acties uit:

1. Verminder het gewicht van de last.
2. Vergroot de afstand van het ankerpunt. De maximale trekkracht komt vanaf de eerste laag van de lierkabel op de trommel. Door de afstand tussen de lier en het ankerpunt te vergroten, worden de lagen van de lierkabel op de trommel verminderd, waardoor de trakkraft toeneemt.

LIERKABEL UITREKKEN

WAARSCHUWING Rek de staakabel altijd van tevoren uit en wikkel deze vóór gebruik onder belasting opnieuw op.

WAARSCHUWING Inspecteer altijd de lierkabel, haak en stropen alvorens de lier te gebruiken. Een gerafelde, geknikte of beschadigde lierkabel moet onmiddellijk vervangen worden. Beschadigde onderdelen moeten voor gebruik vervangen worden. Bescherm de onderdelen tegen beschadiging.

Het uitrekken van de lierkabel is essentieel om een lange productlevensduur te garanderen. Het uitrekken voorkomt dat de buitenste lagen van de lierkabel de binnenste lagen beknellen en vervormen.

Bij het eerste gebruik moet een nieuwe kabel om de trommel worden gewikkeld onder een last van ten minste 500 lbs. (226 kg).

Volg de onderstaande instructies om de lierkabel bij het uitrekken op de juiste wijze op de liertrommel te wikkelen.

WAARSCHUWING Draag altijd stevige lederen werkhandschoenen bij het hanteren van de lierkabel.

1. Kies een **PLATTE EN VLAKKE** locatie die groot genoeg is om de gehele kabellengte af te wikkelen.
2. Ontkoppel de koppeling.

WAARSCHUWING Blijf altijd met de handen uit de buurt van de lierkabel, de haaklus, de haak en de kabelgeleideropening tijdens de montage en het gebruik, en bij het op- en afwikkelen.

3. Houd de haakband vast en wikkel de lierkabel af tot de laatste 5 wikkelingen rond de trommel.
4. Zorg ervoor dat de lierkabel via de onderkant van de trommel afwikkelt en niet aan de bovenkant. Als dat toch gebeurt, zal de automatische rem niet goed functioneren. **OPMERKING:** Als de lierkabel wordt afgewikkeld via de bovenkant van de trommel, heeft u de lier op de afstandsbediening op 'afwikkelen' gezet in plaats van op 'opwikkelen'. Zorg dat de lier op opwikkelen staat ingesteld.

WAARSCHUWING Wikkel de lierkabel altijd op via de onderkant (montagezijde) van de trommel. 

MEDEDELING Voor juist functioneren van de lierrem moet de lierkabel in de aangegeven richting op de trommel zijn gewikkeld. *Zie trommelrotatielabel op de lier.

5. Bedien de koppeling wanneer de lierkabel opgewikkeld is.

WAARSCHUWING Verzeker u er altijd van dat de haakgrendel is gesloten en niet wordt belast. 

WAARSCHUWING Breng de last uitsluitend in het midden van de haak aan.

WAARSCHUWING Bevestig nooit een last aan de punt als die verbogen of gedraaid is.

6. Maak de haak van de kabel vast aan een geschikt ankerpunt.

WAARSCHUWING Verwijder altijd obstakels die een belemmering kunnen vormen voor een veilig gebruik van de lier.

WAARSCHUWING Wikkel de staakabel nooit terug naar zichzelf. Gebruik altijd een ketting of band om het ankerpunt. 

WAARSCHUWING Zorg ervoor dat het gekozen ankerpunt de last kan weerstaan, en dat de band of ketting niet kan slippen.

7. Keer terug naar uw voertuig.
8. Rijd met het voertuig weg van het ankerpunt totdat de lierkabel weinig speling heeft.
9. Zet het voertuig op de parkeerrem, schakel naar een versnelling of de parkeerstand en zet de motor uit.

WAARSCHUWING Houd altijd een ruime afstand tot de lierkabel en de last en houd anderen uit de buurt tijdens lierwerkzaamheden.

10. Stap uit het voertuig. **GEVAAR!** Stap nooit uit het voertuig terwijl de lierkabel belast is. Neem ongeveer 2,44 m afstand van de lier en wikkel de lier elektrisch op totdat alle speling op de trommel is gewikkeld.

WAARSCHUWING Raak nooit de lierkabel of haak aan, terwijl iemand anders de bedieningsschakelaar bedient tijdens lierwerkzaamheden of wanneer deze onder belasting staat.

WAARSCHUWING Laat nooit de lierkabel door uw handen glijden.

11. Houd, met handschoenen aan, met één hand spanning op de lierkabel en druk de lierkabel voorzichtig naar de kant van de trommel waar al kabel ligt, zodat er geen ruimte ontstaat tussen de wikkelingen op de trommel.
12. Om de veiligheid te waarborgen, dienen de volgende stappen te worden uitgevoerd door twee personen. Als u de lierkabel alleen wilt uitrekken, moet u het voertuig altijd op de parkeerrem, in een versnelling of in de parkeerstand zetten en de motor uitzetten elke keer als u uit het voertuig stapt om de lierkabel te inspecteren. **MEDEDELING** Zorg ervoor dat elke laag gelijkmatig wordt gewikkeld om schade aan de kabel te voorkomen.
13. De bestuurder van het voertuig dient de lier te bedienen.
14. Laat uw helper aan de zijkant van het voertuig staan, weg van de lierkabel. **OPMERKING:** Uw helper moet aangeven of de kabel wel of niet correct wordt opgewikkeld door de kabelgeleider te volgen tijdens het opwikkelen.
15. Start het voertuig en zet de versnelling in zijn vrij. Haal het voertuig van de parkeerrem en oefen een middelmatige druk uit op het rempedaal.
16. Zet het opwikkelen van de lierkabel aan om met opwikkelen te beginnen.
17. Stop nadat u ongeveer 2 m hebt opgewikkeld met opwikkelen.
18. Laat het rempedaal langzaam los en bekrachtig vervolgens de parkeerrem. Dit zorgt ervoor dat er geen belasting op de lierkabel staat.
19. Schakel vervolgens naar een versnelling of de parkeerstand en zet de motor uit.
20. Stap uit het voertuig en controleer de lier om zeker te zijn dat de kabel gelijkmatig op de trommel wordt gewikkeld en niet in de onderliggende laag wordt getrokken. Als de lierkabel in de onderliggende laag zinkt, wikkel de kabel dan weer af en herhaal deze stap vanaf het begin met meer druk op het rempedaal.
21. Als u ervan overtuigd bent dat de lierkabel correct op de trommel wordt gewikkeld, herhaal dan de stappen totdat het voertuig zich binnen 2 m van het lierankerpunt bevindt. Laat eenmaal binnen de 2 m het rempedaal langzaam los en bekrachtig vervolgens de parkeerrem. Dit zorgt ervoor dat er geen belasting op de lierkabel staat. Schakel vervolgens naar een versnelling of de parkeerstand en zet de motor uit.
22. Stap uit het voertuig. Maak de haak los van het ankerpunt.
23. Houd de meegeleverde haakband vast, houd spanning op de lierkabel en wikkel de lier

elektrisch op door de bedieningsschakelaar afwisselend in te drukken en los te laten totdat de haak zich op 1 m van de kabelgeleider bevindt.

24. Stop met het opwickelen van de kabel en bevestig de haak aan een geschikt opslagpunt op het voertuig.
25. Wikkel, zodra de haak op geschikte wijze aan het voertuig is bevestigd, de resterende kabellengte op door de bedieningsschakelaar op de afstandbediening afwisselend in te drukken en los te laten tot er een minimale speling in de lierkabel overblijft.

MEDEDELING *Trek de haak niet elektrisch in de kabelgeleider. Hierdoor kan de kabelgeleider beschadigd raken.*

TAKELN

Voor de volledige beginselen van het takelen leest u de Basishandleiding voor liertechnieken, die u online kunt vinden op www.warn.com.

Verzorging synthetische kabel:

Reiniging:

- Gebruik water onder lage druk voor het reinigen van de synthetische kabel. Gebruik geen chemicaliën.
- Richt geen water onder hoge druk (hogedrukwasautomaat, carwash, enz.) rechtstreeks op het gebied tussen het trommelsteunstuk en de trommelflens of de koppelingshendel.
- Gebruik water onder lage druk en een doek of spons met een zacht reinigingsmiddel om de lier te reinigen.
- Vermijd het gebruik van chemicaliën die de afwerking kunnen beschadigen.
- Verwijder alle zoutresten zo snel mogelijk en zorgvuldig van de lier om corrosie tot een minimum te beperken.

Kabel inspecteren:

WAARSCHUWING *Inspecteer altijd de lierkabel, haak en stroppen alvorens de lier te gebruiken. Een gerafelde, geknikte of beschadigde lierkabel moet onmiddellijk vervangen worden. Beschadigde onderdelen moeten voor gebruik vervangen worden. Bescherm de onderdelen tegen beschadiging.*

Wanneer de kabel voor het eerst wordt gebruikt, worden de buitenste kabeldraden

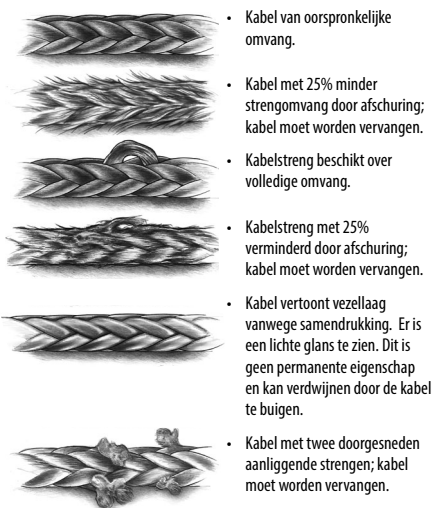
al snel pluizig. Dit komt doordat deze draden zijn gebroken en dit ruwe oppervlak is in feite een bescherming voor de onderliggende draden. Deze toestand moet zich stabiliseren en mag niet verergeren. Als de ruwheid van het oppervlak wel toeneemt, treedt er te veel afschuring op en neemt de sterkte af.

Bestudeer nauwgezet zowel de binnenste als buitenste vezels. Wanneer een van de twee is versleten is de kabel duidelijk minder sterk geworden. Open de strengen en controleer op gepoederde vezels; dit is een teken van inwendige slijtage.

Plaatselijke verkleuring kan in principe duiden op chemische aantasting door vloeistoffen zoals versnellingsbakolie en accuzuur. Vervang de kabel bij twijfel.

De kabel moet worden vervangen, indien:

- De kabelomvang ergens over de lengte is verminderd met 10% of meer door afschuring.
- Twee of meer aanliggende strengen zijn doorgesneden.
- Platte gebieden of bobbelen worden aangetroffen die niet verdwijnen door de kabel te buigen.
- Er overmatig veel samengesmolten of weggesmolten vezels worden aangetroffen. Dit soort gebieden zijn stijf en de kabel heeft een verglaasd uiterlijk.



Controleren	Vóór het eerste gebruik	Na elk gebruik	Elke 90 dagen
Neem de tijd om de bedieningsinstructies, gebruiksaanwijzing en de basishandleiding voor liertechnieken te lezen, zodat u de lier en de bediening ervan begrijpt.	X		
Controleer of alle bevestigingsonderdelen met het juiste aanhaalmoment zijn vastgezet. Vervang beschadigde bevestigingsonderdelen.	X		X
Controleer of de bedrading naar alle onderdelen correct is en of deze stevig aan alle aansluitpunten is bevestigd.	X		X
Controleer of er geen blootliggende/kale bedrading of aansluitpunten aanwezig zijn en of de kabelisolatie niet is beschadigd (schuurplekken/inkepingen). Dek alle blootliggende bedrading af met klemhulzen. Repareer of vervang beschadigde elektriciteitskabel.	X		X
Inspecteer de lierkabel, haak, hittehoes en stroppen. Een gerafelde, geknikte of beschadigde lierkabel moet onmiddellijk vervangen worden. Beschadigde onderdelen moeten voor gebruik vervangen worden.	X	X	X
Houd de lier, de kabel en de bedieningsschakelaar vrij van stof en vuil. Verwijder vuil en stof met een schone doek of handdoek.		X	
Als de lier in water is ondergedompeld: Wikkel de lierkabel ongeveer 10 meter af en weer op. Volg de 'Lierkabel uittrekken'-procedure om de lier te drogen.	X	X	

Neem de tijd om vertrouwd te raken met de lier en de bediening ervan. Lees hiervoor de Basishandleiding voor liertechnieken, die u online kunt vinden op:

www.warn.com

Neem voor meer informatie of vragen contact op met:

WARN INDUSTRIES, INC.

12900 S.E. Capps Road, Clackamas

OR USA 97015-8903, 1-503-722-1200,

Klantenservice: 1-800-543-9276

Lokalisatieservice dealers: 1-800-910-1122

Of ga naar www.warn.com.



WARN® Internationale productgarantie

Waarschuw Industries, Inc. (Warn) garandeert dat haar producten buiten de Verenigde Staten en Canada verkocht aan vrij zijn van defecten in materiaal en vakmanschap door middel WARN plaatselijke erkende distributeurs en dealers.

Alle garantie vragen buiten de Verenigde Staten en Canada voor WARN® producten moeten worden gericht aan uw lokale Point of Sales Retailer.

Om de dichtstbijzijnde dealer te vinden op uw locatie kunt u terecht op onze website op <http://www.warn.com/corporate/dealerlocator.jsp> of neem contact met ons op 1-503-722-1200 of 1-503-722-3000 (fax) .

Specifieke details van de garantie kan variëren op basis van lokale wet- en regelgeving.

Deze garantie geldt alleen voor de oorspronkelijke koper van de producten. Om de garantie te verkrijgen, moet u een bewijs van aankoop, verlenen, zoals een kopie van uw aankoopbewijs. Deze garantie geldt niet voor de verwijdering of herinstallatie van het product. WARN zal, naar eigen goeddunken, repareren, vervangen of de aankoopprijs van een gebrekkig product of component, mits u het defecte product of component tijdens de garantieperiode terug, transport vooraf betaald, naar een erkend Service Center. Bevestig uw naam, adres, telefoonnummer, een beschrijving van het probleem, en een kopie van uw ontvangstbewijs en originele factuur van de verkoop met het onderdeelnummer te WARN voor het defecte product en de datum van aankoop.

Deze garantie geldt niet indien het product is beschadigd door een ongeval, misbruik, aanrijding, overbelasting, wijziging, verkeerde toepassing, onjuiste installatie of verkeerd onderhoud. Deze garantie vervalt als een WARN serienummer of Fabrikant datum code is verwijderd of onleesbaar is gemaakt.

ER ZIJN GEEN ANDERE GARANTIE, EXPLICIET OF IMPLICIET, INCLUSIEF MAAR NIET BEPERKT TOT GARANTIES VAN VERKOOPBAARHEID OF GESCHIKTHEID VOOR EEN BEPAALD DOEL.

WARN IS NIET AANSPRAKELIJK VOOR SPECIALE, INDIRECTE, INCIDENTELE OF GEVOLGSCHADE (INCLUSIEF, MAAR NIET BEPERKT TOT, WINSTDERVING, DOWN TIME OF VERLIES VAN GEBRUIK) ONDER ENIGE WETTELIJKE THEORIE, ZELFS ALS WARN WAS DE HOOGTE VAN DE MOGELIJKHEID VAN DERGELIJKE SCHADE.

WARN behoudt zich het recht Productontwerp gewijzigd zonder voorafgaande kennisgeving. In situaties waarin WARN is veranderd van een product design, WARN is niet verplicht om te upgraden of anderszins eerder vervaardigde producten te wijzigen. Geen WARN dealer, agent of werknemer is bevoegd enige wijziging, uitbreiding of toevoeging aan deze garantie.

Garantieaangifte en geretourneerde producten voor garantieservice moeten worden verzonden naar:

WARN INDUSTRIES, INC. 12900 S.E. Capps Road,
Clackamas, OF VS 97015-8903, 1-503-722-1200, FAX: 1-503-722-3000
Klantenservice: 1-800-543-9276
Dealerzoekservice: 1-800-910-1122
Internationale fax: 1-503-722-3000
www.warn.com

ALKUPERÄISET OHJEET

VRX and AXON™ Vinssin käyttöohje



Tämä käyttöohje sisältää tärkeitä turvaohjeita sekä vinssin käyttöä koskevat ohjeet. Lue huolellisesti läpi **KAIKKI** ohjeet ja turvallisuuteen liittyvät tiedot **ENNEN** vinssin asennusta ja käyttöä.

Lukiessasi näitä ohjeita näet **VAROITUKSIA, VARO-ILMOITUKSIA, ILMOITUKSIA** ja **HUOMAUTUKSIA**. Näiden ohjeiden laiminlyönti voi aiheuttaa vakavan vamman tai kuoleman. **VAROITUKSET** ovat turvallisuusilmoituksia, jotka ilmoittavat mahdollisesta vaaratilanteesta, jonka noudattamatta jättäminen saattaa aiheuttaa vakavan vamman tai kuoleman. **VARO**-ilmoitukset ilmoittavat mahdollisesti vaarallisesta tilanteesta, joka voi aiheuttaa lievän tai kohtalaisen vamman, jos sitä ei vältetä. **VARO**- ja **VAROITUS**-ilmoitukset yksilöivät vaaran, kertovat, kuinka se voidaan välttää, ja mikä on mahdollinen seuraus, jos vaaraa ei vältetä. **ILMOITUKSET** on tarkoitettu omaisuusvahinkojen välttämiseen. **HUOMAUTUKSET** ovat lisätietoja, jotka auttavat toimenpiteen suorittamisessa. **TYÖSKENTELE TURVALLISESTI!**

SÄILYTÄ TÄMÄ OHJEKIRJA ja muut mukana tulevat oppaat tulevaa tarvetta varten, ja lue niitä ajoittain jatkuvan turvallisen käytön takaamiseksi.

Ohjeista kaikkia tuotteen käyttäjiä lukemaan ohjekirja ennen laitteen käyttöä.

Lisää tuotekirjallisuutta verkossa:

- **Vinssausmenetelmien perusopas**
 - Antaa sinulle vinssin perustiedot ja opettaa oikeiden vinssausmenetelmien perusteet. Tämä on arvokas apu vinssin turvallista ja tehokasta käyttöä varten.
- **Tuotteen tekniset tiedot ja suorituskykytiedot**
 - Sisältää tuotteen tekniset tiedot, suorituskykyä koskevat tiedot sekä varaosatiedot.
- **Muu tuotekirjallisuus tiettyjen tuotteiden osalta**

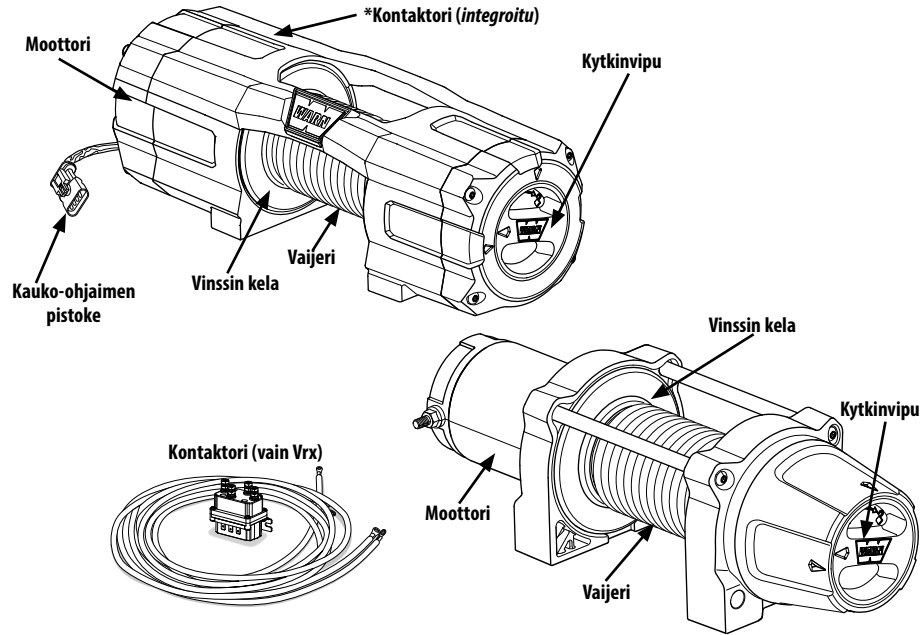
Sivulta www.warn.com voit katsoa/ladata lisätietoja tai korvaavat tuotetiedot.

SISÄLLYSLUETTELO:

Tunne vinssisi / Tunne komponenttisi	2-3
Asentaminen	4-5
Sähkö tiedot	6-8
Ensimmäisen käyttökerran käyttöohjeet.....	9-12
Synteettisen köyden huolto	13
Lopullinen analyysi ja huolto	14
Takuu.....	15

TUNNE VINSSISI

Tutustu WARN®-vinssiin ja kaikkiin sen osiin ennen aloittamista.



- Moottori:** Vinssin moottorin tehonlähteenä on ajoneuvon akku. Moottori antaa voiman hammaspyörämekanismille, joka kääntää vinssin rumpua ja kelaat vinssin vaijeria.
- Vinssin kela:** Vintturin rumpu on sylinteri, johon vinssi köysi syöttää. Rumpua ajetaan moottorilla ja käyttöjunalla. Sen suuntausta voidaan muuttaa kauko-ohjaimella.
- Vinssin vaijeri** Vinssin vaijerin läpimitta ja pituus määräytyvät vinssin kuormituskyvyn ja rakenteen perusteella. Vinssin vaijeri on kierretty kelalle, ja sitä syötetään ohjaimen läpi. Sen päähän tehdään lenkki, johon kiinnitetään koukun sokkapultti.
- Vintturi synteettisellä vaijerilla on valmistettu korkeamolekyylisestä polyeteenistä ja on erittäin luja ja kestävä. Se on päällystetty korkeaa lämpötilaa kestäväällä uretaanilla ja ensimmäinen kerros on varustettu kuumuutta sietävällä vaipalla. Synteettinen vaijeri on erittäin joustava ja kevyt, minkä vuoksi sen käsittely on helppoa.
- Kytkinvipu:** Kytkimen avulla käyttäjä voi kytkeä kelan manuaalisesti irti hammaspyörästöstä, jolloin kela voi pyöriä vapaasti (vapaalle kytkentä). Kytkimen kytkeminen lukitsee kelan takaisin hammaspyörästöön.
- Kontaktori:** Ohjainyksikön solenoidit käyttävät ajoneuvon akun virtaa ja kytkevät virran moottoriin, jonka avulla käyttäjä voi muuttaa vintturin kelan pyörimissuuntaa.
* **AXON-vinssi-kontaktori on integroitu vinttimoottoriin.**
- Kauko-ohjaimen pistoke**
(AXON-vinssi): Kauko-ohjausliitäntä on paikka, jossa käyttäjä kytkeytyy kauko-ohjaimen vinssiin.

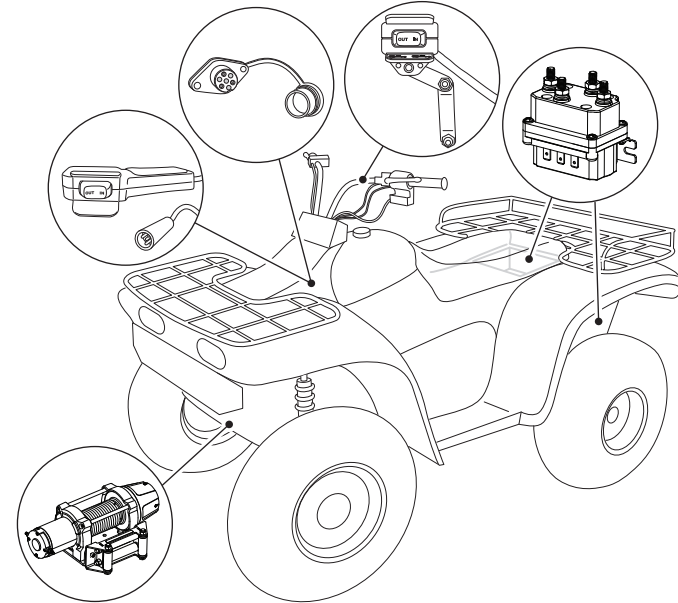
TUNNE KOMPONENTIT



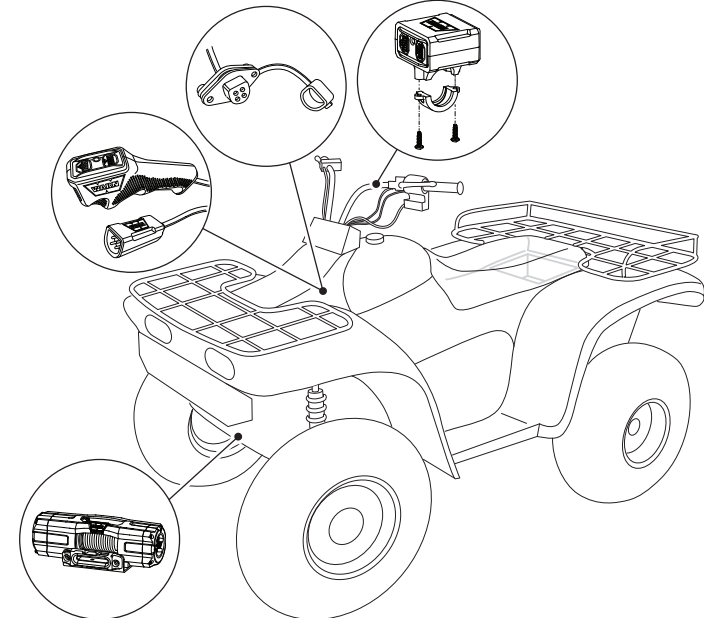
ENNEN ALOITTAMISTA: lue huolellisesti läpi kaikki ohjeet ja turvallisuuteen liittyvät tiedot ennen vinssin asennusta ja käyttöä.

VAIHE 1: KIINNITYSPAIKKA:

VRX



AXON



KIINNITYS

VAIHE 2: KIINNITÄ VINSSI

VAROITUS Valitse aina kiinnityspaikka, joka on tarpeeksi vahva kestämään vinssin maksimivetokapasiteetin.

VAROITUS Sijoita aina ohjain niin, että varoitustarra on helposti nähtävissä sen päällä.

VAROITUS Käytä aina metrijärjestelmän mukaisin luokan 8.8 (luokka 5) tai parempia osia.

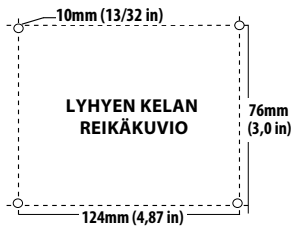
VAROITUS Älä koskaan hitsaa kiinnityspultteja.

VAROITUS Varmista aina, että käytät oikean mittaisia pultteja, jotta kierteen ottavat kiinni.

VAROITUS Suorita aina vintturin asennus ja kiinnitä koukku ennen johtimien asentamista.

VINSSIN KIINNITYS

VRX 25 / 35 - AXON 35

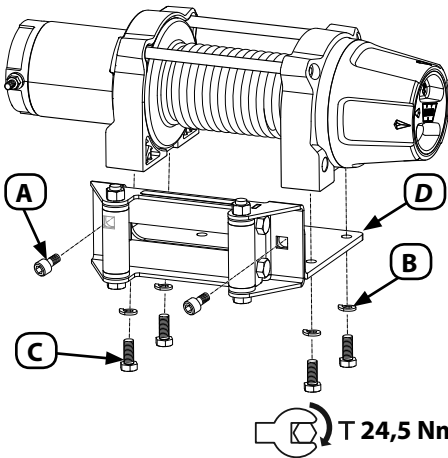


VRX 45 - AXON 45 / 55

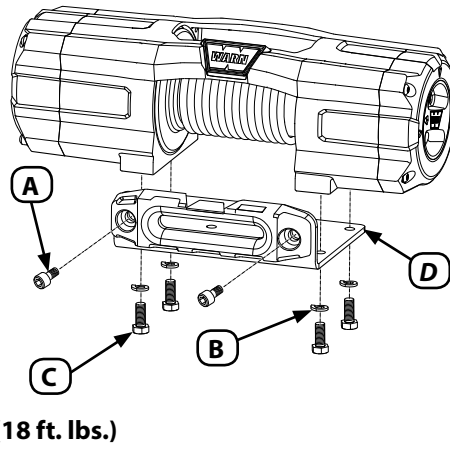


Tuote	Kpl	Kuvaus
A	2	M10 x 15
B	4	M8
C	4	M8 x 1.25 x 25
D	1	MYYDÄÄN ERIKSEEN

VRX



AXON



KIINNITYS

VAIHE 3: KIINNITÄ KAUKO-OHJAIMEN VARUSTEET

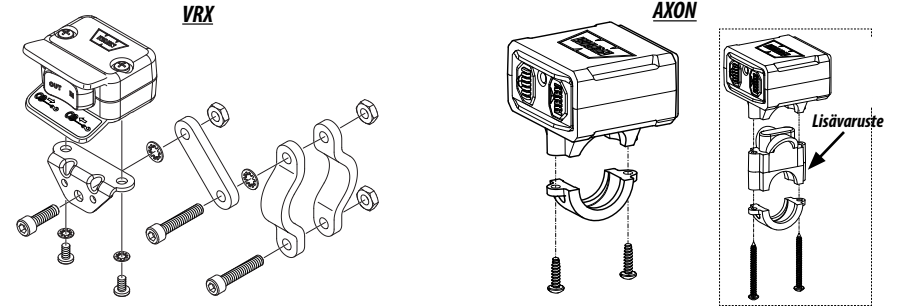
- Kytke irti ajoneuvon akkukaapelit, negatiivinen liitäntä ensin. Kaikkien sähköjohtoja ja kaapeleita koskevien töiden aikana akun on oltava kokonaan irti ajoneuvon kytkennöstä.

VAROITUS TAPATURMIEN JA OMAISUUSVAHINKOJEN VÄLTÄMISEKSI: Noudata varovaisuutta, kun liikutat tai siirrä ajoneuvon ohjaislaitteita, jotta et vaaranna ajoneuvon turvallista käyttöä.

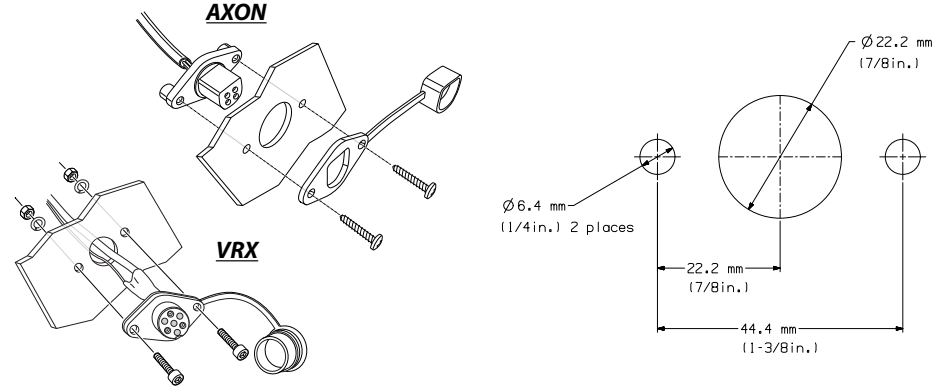
Valitse kiinnityskohta, joka ei rajoita ajoneuvon ohjaislaitteiden liikkumisvara.

Ennen kuin kiinnität kytkinkaapelin lujasti nippusiteillä varmista, että ohjaintangot pääsevät liikkumaan täysin.

OHJAUSTANGON KYTKIMEN KIINNITYS

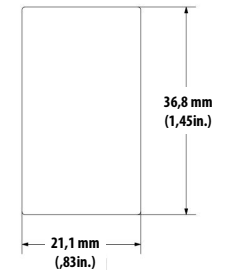
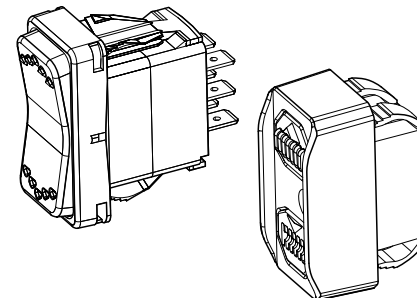


KAUKO-OHJAIMEN LIITTIMEN KIINNITYS



KOJELAUDAN KYTKIMEN KIINNITYS

VRX 45 - AXON 45 / 55



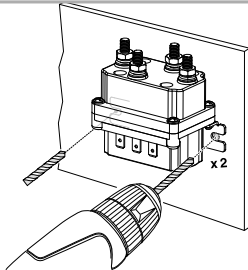
Ei mittakaavassa. ÄLÄ käytä mallinteena!

VAIHE 4: KIINNITÄ KONTAKTORI (Vain VRX-vinssi)

VAROITUS Älä ikinä asenna kontaktoria, kun sähköliitokset ovat kosketuksissa metalliesineiden kanssa.

VAROITUS Varmista aina poratessasi, että alueella ei ole polttoaineletkuja, polttoainesäiliöitä, jarruputkia, sähköjohtoja jne.

KONTAKTORIN KIINNITYS (VAIN VRX-vinssi)



VAIHE 5: LAITTEEN JOHDOTUS

VAROITUS Poista aina korut ja käytä suojalaseja kytkiessäsi akun liitäntöjä.

VAROITUS Aseta aina mukana tulevat liittimien suojukset johtimiin ja liittimiin.

VAROITUS Älä koskaan asenna sähköjohtoja liikkuvien osien läpi tai lähelle.

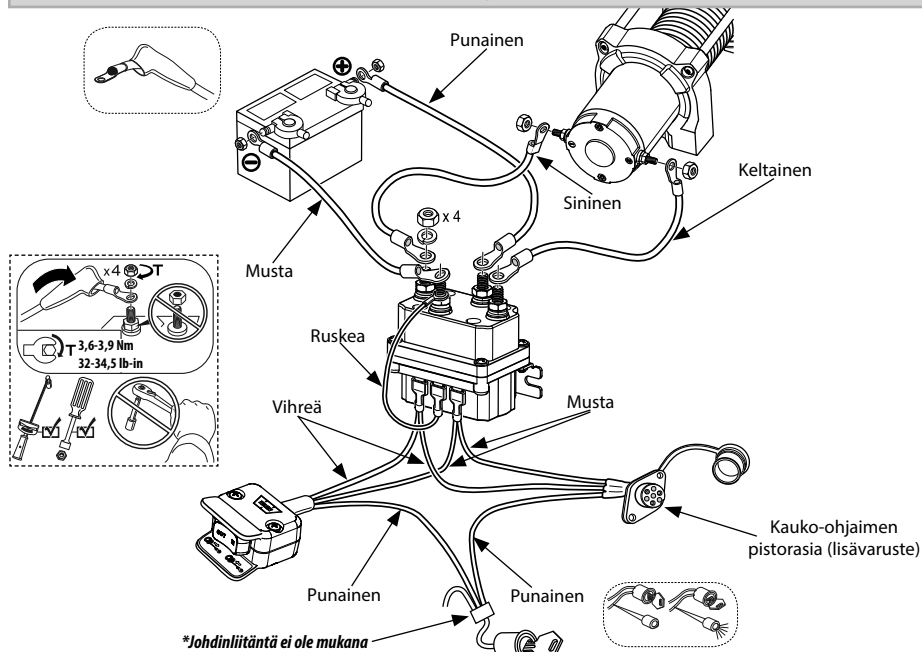
VAROITUS Älä koskaan asenna terävien reunojen päälle.

VAROITUS Eristä ja suojaa aina kaikki näkyvillä olevat johdot ja liittimet.

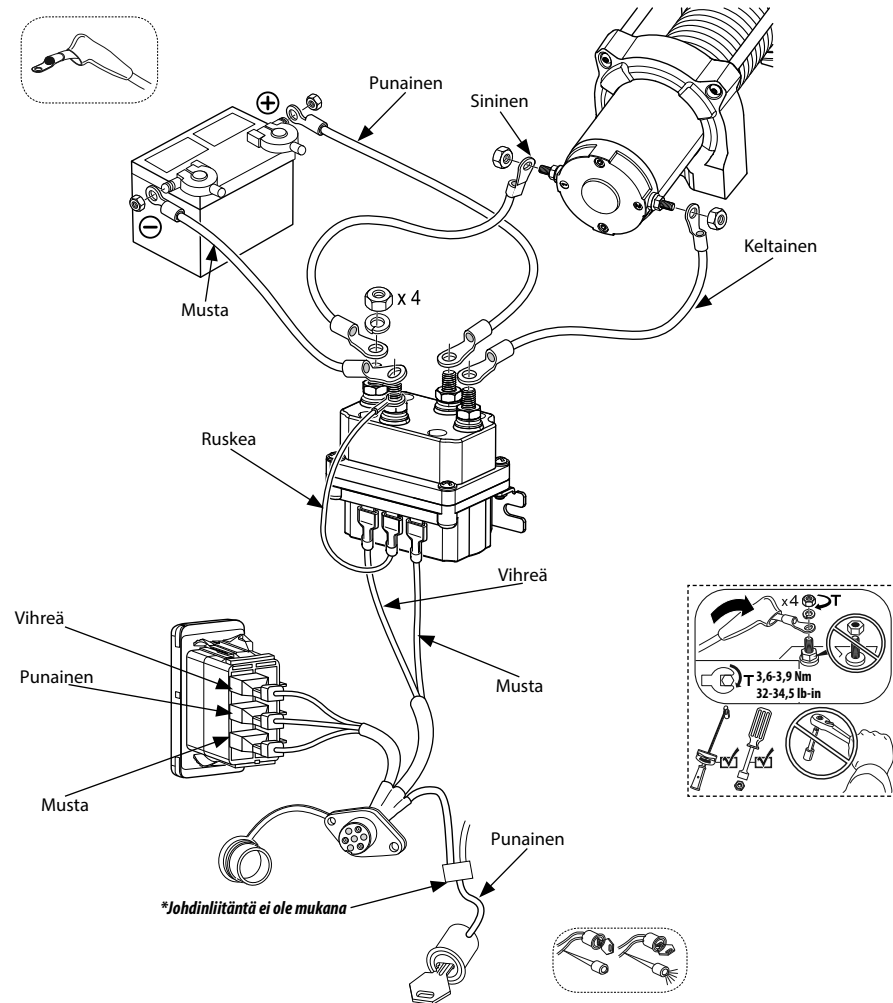
VAROITUS Älä koskaan asenna sähköjohtoja kuumentuvien osien lähelle.

VAROITUS Älä koskaan asenna sähköjohtoja akun napojen päälle.

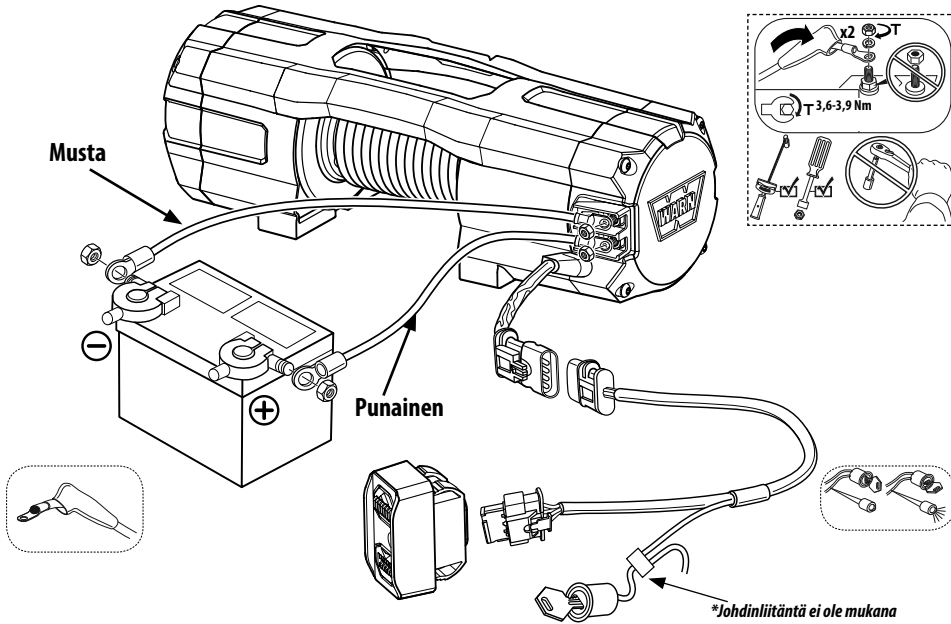
VRX 25 / 35



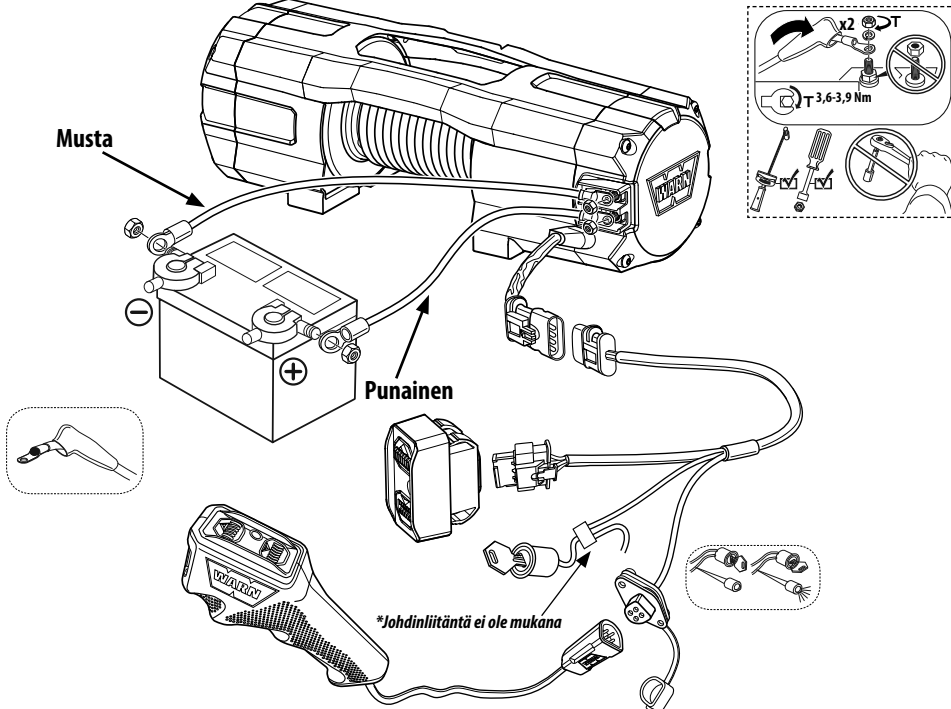
VRX 45



AXON 35



AXON 45/55



Vaihe 3: Järjestelmän tarkistus

VAROITUS Kytke aina punainen (+) virtajohto VAIN akun positiiviseen (+) napaan.

VAROITUS Kytke aina musta (-) maajohto VAIN akun negatiiviseen (-) napaan.

Suorita järjestelmän tarkistus:

1. Tarkista kiristimet ja varmista, että ne ovat tiukalla ja kiristetty oikeaan vääntömomenttiin.
2. Varmista, että kaikki sähköjohdotukset kaikkiin komponentteihin ovat oikein ja varmista, että kaikki liitännät ovat tiukalla.
3. Tarkista, ettei kytkennöissä ole peittämättömiä/paljaita johtoja, liittimiä tai kaapelieristysvikoja.
4. Lue Vinssaustekniikoiden perusopas läpi kokonaisuudessaan ennen vinssin käyttöä (www.warn.com).

Suoritetuasi järjestelmän tarkistuksen olet valmis käymään läpi "Ensimmäisen käyttökerran ohjeet".

Vaihe 4: Ensimmäisen käyttökerran ohjeet

Tässä osiossa kerrotaan ensimmäisen käyttökerran käyttöohjeet, jotka takaavat tehokkaan perusvinsauksen. Vinssin täysimittaisen käytön ja tekniikoiden osalta lue Vinssaustekniikoiden perusopas, joka löytyy verkosta osoitteesta www.warn.com.

VAROITUS Älä koskaan käytä vinssiä nosturina pään yläpuolella tai kuorman ripustamiseen.

VAROITUS Älä koskaan käytä vinssiä nostamaan tai siirtämään henkilöitä.

Kaukosäädin:

VAROITUS Pidä johdotettu kauko-ohjain ja virtajohto aina erossa rummusta, vaijerista ja kiinnityksestä. Tarkista laite murtumien, puristumien, johtojen kulumisen ja liittimien löystymisen varalta. Vaurioituneet osat on vaihdettava uusiin ennen käyttöä.

VAROITUS Älä milloinkaan jätä kauko-ohjainta paikkaan, jossa se voi tulla tahattomasti aktivoituvaksi.

VAROITUS Älä koskaan jätä kauko-ohjainta liitettyksi vinssiin, kun teet asennusta, kelaat kytkin vapaalla, kiinnität vaijeria, teet huoltotoimia, tai kun vinssi ei ole käytössä.

Kauko-ohjaimella ohjataan kelan pyörimistä eteenpäin ja taaksepäin.

Irrota kauko-ohjain vinnistä käytön lopuksi. Kauko-ohjaimen jättäminen kiinni voi aiheuttaa tahattoman aktivoinnin ja/tai akun tyhjenemisen.

Kytkimen käyttö:

VAROITUS Älä koskaan kytke kytkintä päälle tai irti, jos vinssi on kuormitettu, vaijeri on jännitetty tai kela liikkuu.

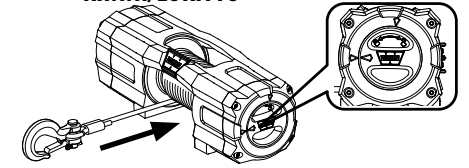
ILMOITUS Varmista aina, että kytkin on kytketty täysin päälle tai täysin irti, kun vinssiä käytetään.

Moottoria vastapäätä olevassa vinnissä kotelossa sijaitseva kytkimen vipu ohjaa kytkimen asentoa. Vaurioiden välttämiseksi on tärkeää, että kytkinvipu on joko täysin päälle kytketyssä tai täysin irti kytketyssä asennossa.

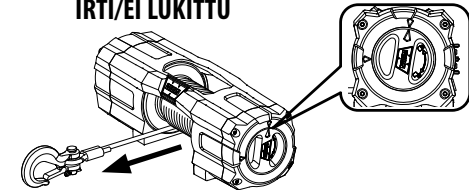
Kun kytkin on kytketty, hammaspyörästä on kytketty vinssin kelaan, ja vinnissä moottoria voidaan käyttää vetämiseen.

Kun kytkin on vapaalla, kela on vapaalla eivätkä hammaspyörästä ja vaijerikela ole kytkettyneet, jolloin kela pystyy pyörimään vapaasti.

KIINNI/LUKITTU



IRTI/EI LUKITTU



Kelaus ulos

VAROITUS Älä koskaan käytä vintturia, jossa on vähemmän kuin viisi vinnissä köysiä rummun ympärillä. Rope voi irrota rummusta.

VAROITUS Pidä aina kätesi poissa vaijerista, kourun silmukasta ja kourun ja ohjaimen aukosta asennuksen ja käytön aikana sekä kelatessasi vaijeria sisään tai ulos.

VAROITUS Käytä aina paksuja käsineitä vinnissä vaijeria käsitellessäsi.

Kelaus rummun ollessa kytkettyä vapaalle on yleensä nopein ja helpoin tapa kelaata

vinssin vaijeri ulos. Ennen kuin alat kelata vinssin vaijeria ulos vinssistä, poista vaijerista mahdollinen jännite kelaamalla sitä hieman ulos. Kytke kytkin irti. Tämän jälkeen voit kelata käsin vinssin vaijeria tarpeeksi ulos vinssausta varten. Katso Vinssaustekniikan perusoppaasta lisätietoja. Teos on luettavissa verkossa osoitteessa www.warn.com.

ILMOITUS Älä kelaat vaijeria ulos enempää kuin 10 metriä, ellei anna vinssin jäähtyä 20 minuuttia ennen kuin kelaat vaijerin takaisin sisään. Aseta sen sijaan kytkin vapaalle ja vedä vaijeri ulos käsin.

VAROITUS Käytä aina toimitettua koukkukuhinaa kelatessasi vaijeria sisään tai ulos. 

Sisäänkelaus kuormitettuna

VAROITUS Älä koskaan ylitä vinssin tai vaijerin nimellistä kapasiteettia.

VAROITUS Tunnet aina köyden työtason rajan (WLL).

VAROITUS Älä koskaan ylitä köyden WLL tai isku lataa tämä köysi.

Kelaa vinssin vaijeri moottorilla tasaisesti ja tiukasti kelalle. Tämä estää ulompia vaijerikerroksia painumasta sisempien kerrosten sisään, tarttumasta kiinni ja vioittamasta vinssin vaijeria.

Vältä äkkikuormitusta kelaamisen aikana kelaamalla löysällä oleva vinssin vaijeri ohjauskytkimellä sykäyksittäin. Äkkikuormitus voi ylittää hetkellisesti vinssin ja vaijerin nimelliskapasiteetin.

Sisäänkelaus kuormittamattomana

VAROITUS Älä koskaan koske vaijeriin tai koukkuun toisen henkilön käyttäessä ohjauskytkintä, vinssausvaijerin ollessa kuormitettuna tai vinssauksen aikana.

Kelaus avustajan kanssa: Pyydä avustajaa pitämään koukkuja ja kohdistamaan vinssin vaijeriin mahdollisimman suuri tasainen jännitys. Avustajan tulee pitää vinssin vaijeri kireällä ja kävellä vinssiä kohti samalla, kun itse kelaat vaijeria kelalle ohjauskytkimellä. Irrota kytkin, kun koukku on vähintään 2 metrin päässä köyden ohjaimen aukosta.

Kelaa loppuosa sisään säilytysasentoon seuraavien ohjeiden mukaan.

Kelaus yksin: Aseta vinssin vaijeri siten, ettei se mene mutkalle tai sekaisin kelattaessa. Varmista, että kelalla olevat vinssin vaijerikerrokset

ovat tasaisia ja tiukkoja. Kelaat niin paljon vaijeria, että se muodostaa seuraavan täyden kerroksen kelalle. Kiristä ja suorista kerros. Toista toimenpidettä, kunnes koukku on vähintään 2 metrin päässä köyden ohjaimen aukosta.

Loppuosan kelaaminen säilytysasentoon

Kun koukku on 2 metrin etäisyydellä ohjaimesta, irrota koukku kiinnityspaikasta tai kuormasta. Pidä kiinni mukana tulevasta koukkuhihnasta ja pidä vaijeri kireällä. Kelaat vaijeria hitaasti sisään käyttämällä kauko-ohjaimen sisäänkelauskytkintä sykäyksittäin, kunnes koukku on enintään 1 metrin päässä ohjaimesta.

Lopeta kelaaminen ja kiinnitä koukku sopivaan kiinnityskohtaan ajoneuvossa.

ILMOITUS Älä vedä koukkuja ohjaimen väkisin. Se saattaa vahingoittaa ohjainta.

Kun koukku on kiinnitetty ajoneuvoon, kelaat löysä vaijeri sisään käyttäen kauko-ohjaimen kytkintä sykäyksittäin, kunnes vaijerissa on mahdollisimman vähän löysää.

Ylikuormitus/ylikuumentuminen

VAROITUS Muista aina, että vinssin moottorin ja kelan tai vaijerin pinta voi olla kuuma vinssin käytön aikana tai sen jälkeen.

Tämä vinssi on tarkoitettu ajoittaista käyttöä varten. Kun moottori lähestyy seisontanopeutta, siinä tapahtuu erittäin nopeaa lämmönmuodostusta, joka voi vaurioittaa moottoria.

Kaksoisvaijerin kiinnitys (ks. Vinssaustekniikoiden perusoppas) vähentää virranottoa ja moottorin lämmönnousua. Tämä mahdollistaa pidemmän yhtäjaksoisen käytön.

Kuormanrajoitin (AXON-vinssit)

VAROITUS Älä koskaan kytke kytkintä päälle tai irti, jos vinssi on kuormitettuna, vaijeri on jännitetty tai kela liikkuu.

VAROITUS Älä koskaan koske vaijeriin tai koukkuun vaijerin ollessa jännittyneenä tai kuormitettuna.

Jos AXON-vinssin kapasiteetti ylitetään, kuormanrajoitin aktivoituu ja virransyöttö moottorille katkeaa. Tällä estetään ylikuumentuminen ja potentiaaliset moottorivauriot. 50% vetokyvystä kauko-ilmaisimella muuttuu keltaiseksi. 75% vetokyvystä kauko-ohjaimen merkivalo muuttuu oranssiksi. 90% vetokapasiteetista kauko-ohjaimen merkivalo muuttuu punaiseksi. Kun vetokiky

ylittyy, kuormitusrajoitin saa kauko-ohjaimen merkivalo vilkkua punaisena ja AXON-moottori pysähtyy. Jos näin tapahtuu, vapauta kuorma kelaamalla ulospäin. Kun kuormanrajoitin on aktivoitunut, vinssiä ei voi kelata, ennen kuin kuormanrajoitin on nollattu kelaamalla ulos. Älä yritä vetää samaa kuormaa, jos kuormanrajoitin on lauennut, koska laite voi vahingoittua. Ota yhteys valtuutettuun huoltoliikkeeseen, jos kuormanrajoitin ei nollaudu.

Jos kuormanrajoitin aktivoituu uudelleen, suorita seuraavat toimenpiteet:

1. Vähennä kuorman painoa.
2. Lisää etäisyyttä kiinnityspaikkaan. Maksimivetoikyky saavutetaan ensimmäisen kelalla olevan vaijerikerroksen aikana. Kasvattamalla vinssin ja ankurointipisteen etäisyyttä vähennetään kelalla olevia vaijerikerroksia ja näin kasvatetaan vetotehoa.

VINSSIN VAIJERIN VENYTTÄMINEN

VAROITUS Esivenyttä aina vaijeri ja kelaat se uudelleen kuormitettuna ennen käyttöä.

VAROITUS Tarkasta aina vaijeri, koukku ja raksit ennen vinssin käyttöä. Rispaantunut, taipunut tai vaurioitunut vaijeri on vaihdettava välittömästi. Vaurioituneet osat on vaihdettava uusiin ennen käyttöä. Suojaa osia vaurioitumiselta.

Vaijerin kiristäminen on tärkeää tuotteen pitkän käyttöiän varmistamiseksi. Vaijerin kiristäminen estää vaijerin ulompia kerroksia puristamasta ja vahingoittamasta sisempiä kerroksia.

Ensimmäistä kertaa käytettäessä köysi on kelattava kelalle kuormituksen ollessa vähintään 226 kg.


Venyttä vaijeri kunnolla vinssin kelalle seuraavien ohjeiden mukaan.

VAROITUS Käytä aina paksuja käsineitä vinssin vaijeria käsitellessäsi.

1. Valitse TASAINEN JA VAAKASUORA paikka, joka on riittävän suuri koko vaijerin pituudelle.
2. Kytke kytkin irti.

VAROITUS Pidä aina kätesi poissa vaijerista, koukun silmukasta ja koukun ja ohjaimen aukosta asennuksen ja käytön aikana sekä kelatessasi vaijeria sisään tai ulos.


3. Tartu koukkuihin ja kelaat vaijeria auki, kunnes kelalla on vähintään 5 kierrosta vaijeria jäljellä.

4. Varmista, että vaijeri kelautuu ulos kelan alapuolelta eikä sen päältä, koska muutoin automaattinen kuormajarru ei toimi kunnolla. **HUOM.:** Jos vinssin vaijeri kelautuu ulos kelan päältä, olet kääntänyt kelaat kauko-ohjaimella "ulos" etkä "sisään". **Varmista, että kelaat sisään.** 

VAROITUS Kelaat aina vinssin vaijeri kelan pohjalle (kiinnityspuolelle).

ILMOITUS Vinssijarrun oikean toiminnan varmistamiseksi vinssin vaijeri on kelattava kelalle sille määritettyyn suuntaan. *Ks. kelan kiertomerkintä, joka sijaitsee vinssissä.

5. Kun vaijeri on kelautunut ulos, käynnistä kytkin.

VAROITUS Varmista aina, että koukun salpa on suljettu. 

VAROITUS Kohdista kuormitus aina vain koukun keski-kohtaan.

VAROITUS Älä koskaan kohdista kuormitusta koukun kärkeen tai käytä koukkuja, joka on taipunut tai kiertynyt.

6. Liitä vaijerin päässä oleva koukku sopivaan kiinnityspaikkaan.

VAROITUS Poista aina kaikki esteet, jotka voivat estää vinssin turvallisen toiminnan.

VAROITUS Älä koskaan kiedo vaijeria kiinni itseensä. Käytä ketjua tai hihnaa kiinnityskohdassa. 

VAROITUS Varmistaudu aina, että valitsemasi kiinnityskohta kestää kuormituksen ja ettei hihna tai ketju luiskahda pois paikoiltaan.

7. Palaa ajoneuvosi luokse.
8. Peruuta ajoneuvoa kiinnityspisteeltä kunnes vaijeri on melko kireä.
9. Kytke seisontajarru, aseta vaihteisto pienelle vaihteelle tai pysäköintiasentoon ja sammuta moottori.

VAROITUS Pysy aina poissa vinssin vaijerin ja kuorman läheltä, ja pidä myös muut henkilöt loitolla vinssauksen aikana.

10. Poistu ajoneuvosta. **VAROITUS!** Älä koskaan poistu ajoneuvosta, jos vinssin vaijeri on kuormitettuna. Pysy noin 2,5 metrin päässä vinssistä ja kelaat vinssillä, kunnes löysä köysi on kelattu kokonaisuudessaan kelalle.

VAROITUS Älä koskaan koske vaijeriin tai koukkuun toisen henkilön käyttäessä ohjauskytkintä, vinssausvaijerin ollessa kuormitettuna tai vinssauksen aikana.

VAROITUS Älä koskaan anna vaijerin luisua käsiesi kautta.

- Käytä hansikkaita, pidä vaijeria kireällä yhdellä kädellä ja työnnä vaijeria varovasti kohti sitä reunaa, johon vaijeri on kiinnitetty, jotta kelan kierrosten väliin ei jää aukkoja.
 - Seuraavissa vaiheissa tarvitaan kaksi henkilöä turvallisuuden varmistamiseksi. Jos yrität venyttää vaijeria yksin, kytke pysäköintijarru päälle, aseta vaihteisto pienelle vaihteelle ja sammuta moottori aina, kun nouseet ajoneuvosta tarkastamaan vaijeria. **ILMOITUS** Kelaa jokainen kerros varovasti ja tasaisesti, jotta vaijeri ei vahingoitu.
- VAROITUS** Älä koskaan käytä kaukosäädintä, jos et näe ajoneuvoasi.
- Ajoneuvon kuljettajan on toimittava vinssin käyttäjänä.
 - Neuvo avustajaasi seisomaan ajoneuvon sivulla, riittävän etäällä vinssistä ja sen vaijerista. **HUOM.:** Avustajan on tarkkailtava vaijerin kelautumista vaijerin ohjaimen yli ja annettava merkki, kun vaijeri kelautuu oikein.
 - Käynnistä ajoneuvo ja aseta vaihde vapaalle. Vapauta seisontajarru painaen samalla jarrupoljinta rauhallisesti.
 - Kytke sisäänkelaus aloittaaksesi sisään vinssauksen.
 - Kun olet kelannut noin 2 metriä, lopeta kelaaminen.
 - Nosta jalka jarrupolkimelta hitaasti ja kytke seisontajarru. Näin varmistat, ettei vinssin vaijerissa ole kuormaa.
 - Aseta vaihteisto vaihteelle tai pysäköintiasentoon ja sammuta moottori.
 - Poistu ajoneuvosta ja varmista, että vaijeri kelautuu vinssin kelalle tasaisesti eikä uppoa alempana kerrokseen. Jos vaijeri uppoaa, kelaat vaijeri ulos painamalla vaijerin vapautuspainiketta kaukosäätimessä, ja toista tämä vaihe alusta painaen jarrupoljinta enemmän.
 - Kun olet varma, että vaijeri kelautuu vinssin kelalle oikein, toista vaiheita, kunnes ajoneuvo on noin 2 metrin etäisyydellä kiinnityskohdasta. Kun koukku on 2 metrin etäisyydellä, nosta jalka jarrupolkimelta hitaasti ja kytke seisontajarru. Näin varmistat, ettei vinssin vaijerissa ole kuormaa. Aseta sitten vaihteisto vaihteelle tai pysäköintiasentoon ja sammuta moottori.

- Poistu ajoneuvosta. Irrota koukku kiinnityspaikasta.
- Samalla kun pidät kiinni koukkuhihnasta, pidä vaijeri kireällä ja kelaat vinssiä hitaasti käyttäen kauko-ohjaimen painiketta sykäyksittäin, kunnes koukku on noin 1 metrin päässä ohjaimesta.
- Lopeta kelaaminen ja kiinnitä koukku sopivaan kiinnityskohtaan ajoneuvossa.
- Kun koukku on kiinnitetty ajoneuvoon, kelaat löysä vaijeri sisään käyttäen kauko-ohjaimen painiketta sykäyksittäin, kunnes vaijerissa on mahdollisimman vähän löysää.

ILMOITUS Älä vedä koukkuja ohjaimen väkisin. Se saattaa vahingoittaa ohjainta.

VAIJERIN KIINNITYS

Täydelliset ohjeet vaijerin kiinnitykseen saat lukemalla vinssaustekniikoiden perusoppaan, jonka voit ladata osoitteesta www.warn.com.

Syntheettisen köyden huoltaminen

Puhdistus:

- Puhdista syntheettinen köysi matalapaineisella vedellä. Älä käytä kemikaaleja.
- Älä kohdistat korkeapaineista vettä (paineepesulaitteet, autonpesulaitteet jne.) suoraan rummun kannattimen ja rummun laipan tai kytkinvivun väliin.
- Puhdista vinssi pienellä paineella suihkutettavalla vedellä ja saippuoidulla rätillä tai pesusienellä.
- Vältä sellaisten kemikaalien käyttöä, jotka voivat vahingoittaa pintaa.
- Puhdista suolajäämät perusteellisesti vinssistä mahdollisimman pian korroosion minimoimiseksi.

• Havaitaan liikaa yhdistyneitä tai sulaneita kuituja. Tällaiset kohdat ovat jäykkiä, ja köysi näyttää kiiltävältä.

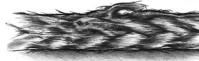


• Köysi, jossa on alkuperäinen massa.

• Köysi, jossa on näkyvissä hankautumisesta aiheutunut 25 %:n vähennys ainemäärässä – köysi on vaihdettava uuteen



• Köyden säie, jossa on näkyvissä täysi ainemäärä.



• Köyden säie pienentynyt 25 % hankautumisen johdosta – köysi on vaihdettava uuteen



• Köydessä näkyy puristuksesta johtuva kuitujen painuma. Näkyvissä on vähäistä kiiltoa. Tämä ei ole pysyvä ominaisuus, vaan se voidaan poistaa taivuttamalla köyttä.



• Köydessä näkyy kaksi vierekkäistä katkennutta säiettä – köysi on vaihdettava uuteen

Vaijerin tarkastus:

VAROITUS Tarkasta aina vaijeri, koukku ja raxit ennen vinssin käyttöä. Rispaantunut, taipunut tai vaurioitunut vaijeri on vaihdettava välittömästi. Vaurioituneet osat on vaihdettava uusiin ennen käyttöä. Suojaa osia vaurioitumiselta.

Kun köyttä käytetään ensimmäistä kertaa, sen ulommat säikeet alkavat pian töröttää. Tämä johtuu näiden säikeiden rikkoutumisesta, ja tämä karhentunut pinta oikeastaan suojaa alla olevia kuituja. Tämän tilanteen pitäisi tasaantua etenemisen sijasta. Jos pinnan karheus lisääntyy, käynnissä on liiallinen kuluminen ja lujuuden menetys.

Katso tarkkaan sekä sisempiä että ulompia kuituja. Jos jommatkummat niistä ovat kuluneet, köysi on ilmeisesti heikentynyt. Vedä säikeitä auki ja etsi hienontunutta kuituainesta. Sen esiintyminen on merkki sisäisestä kulumisesta.

Paikalliset värimuutokset voivat aiheutua kemikaaleista, esimerkiksi vaihteistoöljystä tai akkuhapon. Vaihda köysi, kun epäilet vauriota.

Köysi on vaihdettava uuteen seuraavissa tapauksissa:

- Köyden massa on jossakin kohdassa köyttä vähentynyt vähintään 10 % hankautumisen johdosta.
- Kaksi tai useampi vierekkäinen säie on katkennut.
- Köydessä havaitaan litteitä kohtia tai pahkuroita, jotka eivät poistu köyttä taivutettaessa.

LOPULLINEN ANALYYSI JA HUOLTO

Tarkistus	Ennen ensimmäistä käyttöä	Jokaisen käytön jälkeen	90 päivän välein
Käytä aikaa ohjeiden sekä Käyttöoppaan ja Vinssaustekniikoiden perusoppaan lukemiseen, jotta ymmärrät vinssin toimintaperiaatteen	X		
Tarkista kiinnikkeet ja varmista, että ne ovat tiukat ja oikein kiristetty. Vaihda vahingoittuneet kiinnittimet.	X		X
Tarkasta, että kaikki johtokomponentit ovat oikein ja varmista, että ne ovat kunnolla kiinni kytkentäpisteissä.	X		X
Tarkista ettei paljaita johtoja, liitäntöjä tai kaapelieristysvikoja ole (kulumista/leikkautumista). Peitä kaikki paljaat kohdat liitinsuojuksilla. Korjaa tai vaihda vahingoittunut sähköjohto.	X		X
Tarkasta vinssin vaijeri, koukku, suojavaippa ja raksit. Rispaantunut, taipunut tai vaurioitunut vaijeri on vaihdettava välittömästi. Vaurioituneet osat on vaihdettava uusiin ennen käyttöä.	X	X	X
Pidä vinssi, vaijeri ja ohjauskytkin puhtaina. Puhdista lika ja roskat puhtaalla rievulla tai pyyhkeellä.		X	
Jos vinssi on veden peittämä: Kelaa vinssin vaijeri ulos ja takaisin n. 10 metrin matkalta. Noudata ohjetta "Vinssin vaijerin venytys" vinssin kuivaamiseksi.	X	X	

Tutustu vinssiisi ja vinssaukseen huolella lukemalla vinssaustekniikoiden perusopas (Basic Guide to Winching Techniques), jonka voit ladata osoitteesta

www.warn.com

Lisätietoja ja vastauksia kysymyksiin saat ottamalla yhteyttä:

WARN INDUSTRIES, INC.

12900 S.E. Capps Road, Clackamas

OR USA 97015-8903, 1-503-722-1200,

Asiakaspalvelu: +1 (800) 543 9276

Myyntiliikkeen paikannuspalvelu: 1 800 910 1122

Tai käy osoitteessa www.warn.com.



WARN® kansainvälinen Tuotetakuu

Warn Industries, Inc. (WARN) takaa tuotteidensa myydään Yhdysvaltojen ulkopuolella ja Kanadassa on oltava vapaa materiaali- ja valmistusvirheitä kautta WARN paikallisten Jälleenmyyjät ja jälleenmyyjät.

Kaikki takuu tiedustelut Yhdysvaltojen ulkopuolella ja Kanadassa WARN® Tuotteet tulee suunnata paikalliselle Point of Sales Jälleenmyyjä.

Lähimmän jälleenmyyjän sijainnin käy sivuillamme osoitteessa <http://www.warn.com/corporate/dealerlocator.jsp> tai ota yhteyttä 1-503-722-1200 tai 1-503-722-3000 (Fax) .

Yksityiskohdista takuun voi vaihdella paikallisia lakeja ja asetuksia.

Tämä takuu koskee vain alkuperäiselle ostajalle Tuotteista. Saadakseen mitään takuuta palvelun, sinun on annettava ostotodistus, kuten kopio ostokuitista. Tämä takuu ei kata poistoa tai uudelleenasetusta Tuotteen. WARN tulee, valintansa mukaan korjata, vaihtaa tai palauttaa ostohinnan viallisen tuotteen tai komponentin, mikäli palaat viallisen tuotteen tai komponentin takuuajana, kuljetus maksettuna, valtuutettuun huoltoon. Liitä nimi, osoite, puhelinnumero, kuvaus ongelmasta, ja kopio kuitista ja alkuperäinen kauppakirja varustettujen WARN osanumero viallisen tuotteen ja ostopäivämäärä.

Tämä takuu ei ole voimassa, jos tuote on vaurioitunut onnettomuudessa, väärinkäytöstä, törmäys, ylikuormituksesta, muuttaminen, virheellisestä, väärästä asennuksesta, moitteettoman toiminnan takaamiseksi. Tämä takuu raukeaa, jos mitään WARN sarjanumero tai Valmistajan Päiväyskoodin on poistettu tai turmeltu.

EI OLE MITÄ NIMENOMAISIA TAI KONKLUDENTTISESTI RAJOITUKSETTA TAKUUT MYYNTIKELPOISUUDESTA TAI TIETTYYN TARKOITUKSEEN.

WARN EI OLE VASTUUSSA ERITYISISTÄ, EPÄSUORISTA, VAHINGONKORVAUSVELVOLLISUUDEN (KUTEN, RAJOITUKSETTA, VOITON, SEISOKIT TAI MENETYKSET USE) MINKÄÄN LAKITEORIAAN VAIKKA WARN ON ILMOITETTU TÄLLÄISEN VAHINGON MAHDOLLISUUDESTA.

WARN pidättää itsellään oikeuden muuttaa tuotteen muotoilua ilman erillistä. Tilanteissa, joissa WARN on muuttanut Tuotesuunnittelua, WARN ei ole mitään velvollisuutta päivittää tai muutos muutoksia aiemmin valmistettuihin tuotteisiin. Ei WARN kauppias, asiamies tai työntekijä ei ole oikeutta tehdä mitään muutoksia, laajennuksia tai lisäyksiä tähän takuuseen.

Takuuvaatimukset ja Takuuhuollolle palautetut tuotteet on lähetettävä osoitteeseen:

WARN INDUSTRIES, INC. 12900 S.E. Capps Road,
Clackamas, OR USA 97015-8903, 1-503-722-1200, faksi: 1-503-722-3000
Asiakaspalvelu: 1-800-543-9276
Jälleenmyyjänhakupalvelu: 1-800-910-1122
Kansainvälinen faksi: 1-503-722-3000
www.warn.com

